



A WILO BRAND

MOTORPUMP™ — 3500 RPM

304SS, 60 Hz, 1.25 X 1 X 6.3 NPT

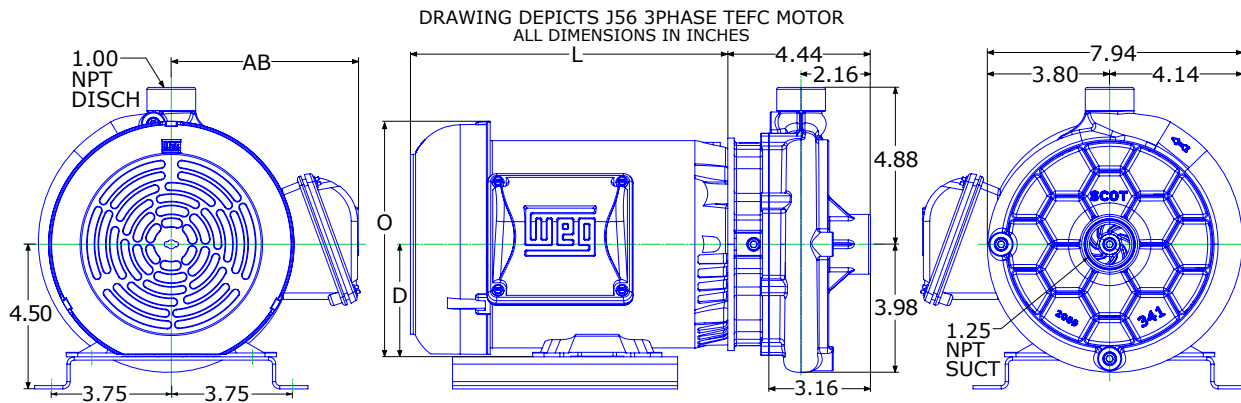
340 J56



Drinking Water System Component
NSF/ANSI 61
ALSO CLFD IN ACCORDANCE WITH
NSF/ANSI 372

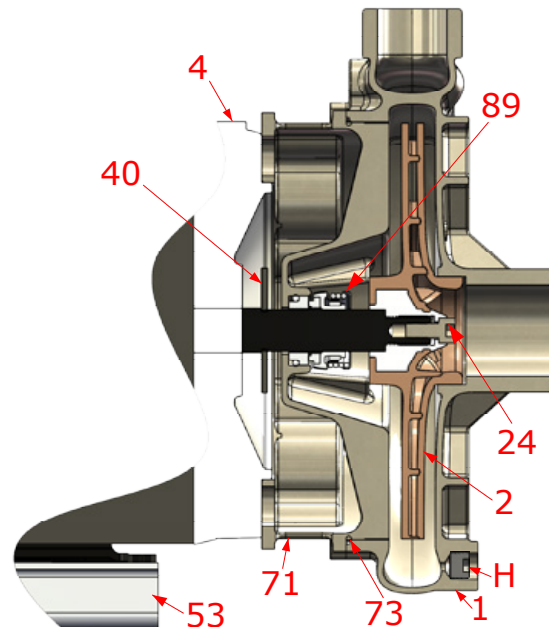
Motor Dimensions							
NEMA J56 Frame 3500 RPM							
HP	Type	3 Phase			1 Phase		
		L	O	AB	L	O	AB
0.5	ODP	8.26	6.46	3.32	9.06	8.37	3.25
0.75	ODP	8.65	6.46	3.32	9.56	8.37	3.25
1.0	ODP	8.65	6.46	3.32	9.81	8.37	3.25
1.5	ODP	9.04	6.46	3.32	10.31	8.37	3.25
2.0	ODP	9.44	6.46	3.32	10.31	8.37	3.25
3.0	ODP	10.22	6.46	3.32	10.84	8.37	3.25
0.5, 0.75	TEFC	9.48	7.33	5.87	9.43	8.10	5.31
1.0	TEFC	10.27	7.33	5.87	10.59	8.10	5.31
1.5	TEFC	11.06	7.33	5.87	10.59	8.10	5.31
2.0	TEFC	11.85	7.33	5.87	11.77	8.10	5.31
3.0	TEFC	13.03	7.33	5.87	12.16	8.10	5.31

Motors are Standard Efficient with the exception of 2-3HP 3 phase TEFC, which are Premium Efficient.



Construction Options

Key	Part Name	Stainless
1	Case	304SS
2	Impeller	PPS-GF
24	Cap screw, Retainer	304SS
40	Flinger	Neoprene
53	Base	Steel
71	Adapter	304SS
73	Gasket, Case	Buna
89	Mech Seal, Type 21 BN-CARB/SIL	Standard
H	Plug, Drain	304SS





A WILO BRAND

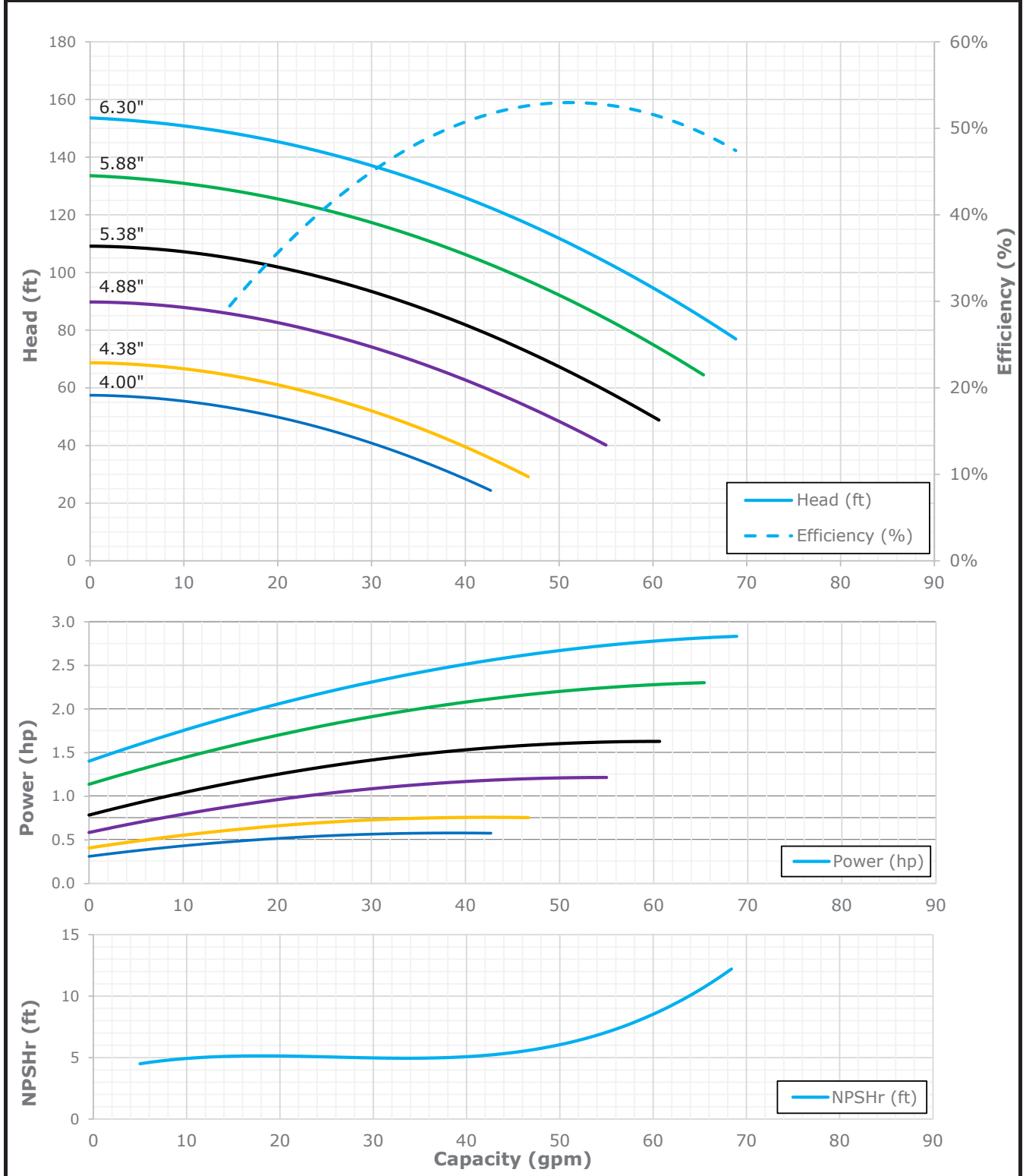
MOTORPUMP™ — 3500 RPM

304SS, 60 Hz, 1.25 X 1 X 6.3 NPT

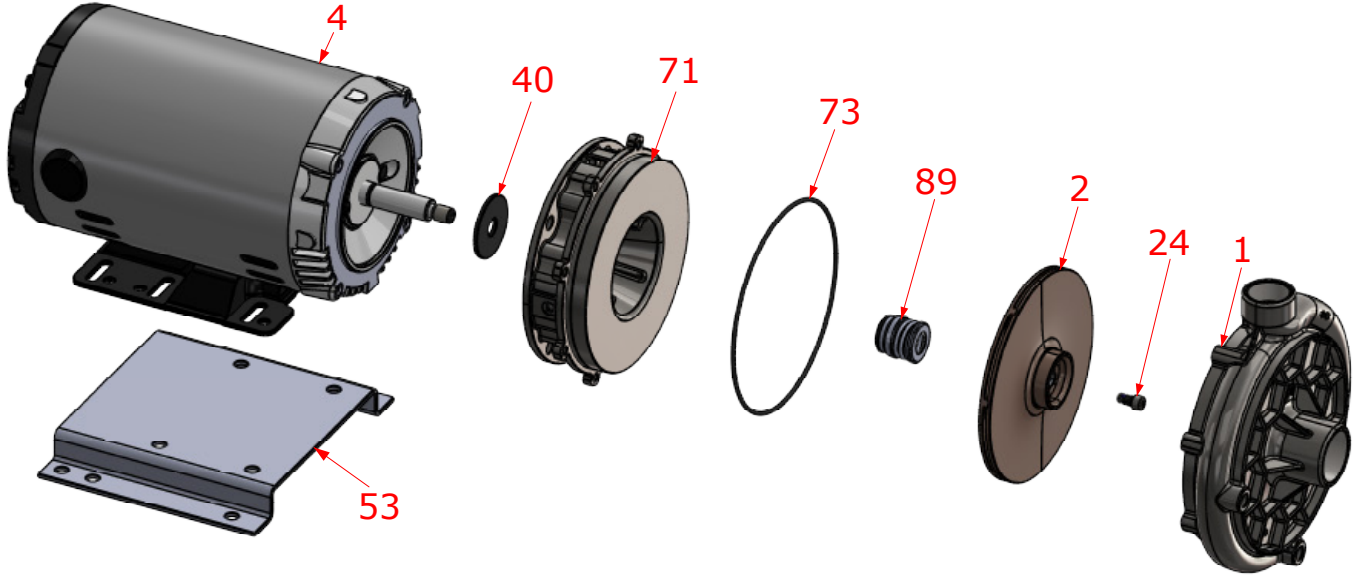
340 J56

Performance Curve

Performance Curve Number: 40.000.844	Pump 340 1.25 X 1.0 X 6.3	1.00 S.G. 70.0 °F	Imp. Type: Enclosed 4/7/2021	3500 RPM 60 Hz	Max Sphere: 3/32" PEI _{CL} 0.92
--------------------------------------	-------------------------------------	----------------------	---------------------------------	-------------------	---



Parts



Key	Part Name	Part Number	
1	Case 341, Stainless, 1.25 X 1.00 NPT, Stn plugs	3301207X	
2	Impeller 340, PPS-GF, Specify Dia., 6.30 Max, 7/16" Thrd	3301325	
4	Motor chart, J56 3.5" Rigid Base	See Chart	
	Motor chart, J56 4.5" Rigid Base	See Chart	
24*+	Retainer, Cap Screw	137.003.152	
40*	Flinger, Neoprene	104.000.171	
53	Base, Steel	137.001.130	
71	Adapter, Stainless, Stn plug	3301210X	
73*	O-ring, Case, Buna	3301256	
89*	Seal, 5/8", Type 21, BN-CARB/SIL w/retainer	137.002.401	
	Seal, 5/8", Type 21, EPDM CARB/SIL w/retainer	137.002.258	
	Seal, 5/8", Type 21, VN-CARB/SIL w/retainer	137.002.390	
	Seal, 5/8", Type 21, VN-SIL/SIL w/retainer	137.002.406	
KIT		3 Phase:	1 Phase:
	Repair Kit, 5/8" BN-CARB/SIL Seal	3301265	3301261
	Repair Kit, 5/8" EPDM-CARB/SIL Seal	3301266	3301262
	Repair Kit, 5/8" VN-CARB/SIL Seal	3301267	3301263
	Repair Kit, 5/8" VN-SIL/SIL Seal	3301268	3301264

* Denotes components included in repair kit.

+ Not required on 1 phase motors.

Motor Charts

