

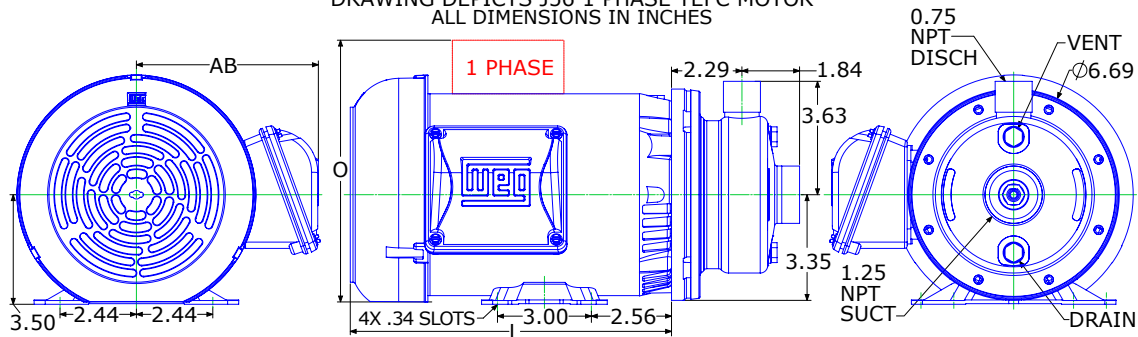
*Pump to be installed only in the horizontal position as shown.



Drinking Water System Component
NSF/ANSI 61
ALSO CLFD IN ACCORDANCE WITH NSF/ANSI 372

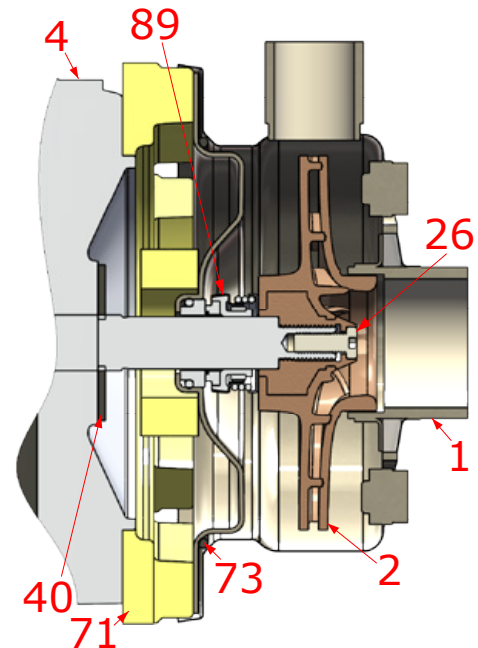
Motor Dimensions							
NEMA J56 Frame 3500 RPM							
HP	Type	3 Phase			1 Phase		
		L	O	AB	L	O	AB
0.50	ODP	8.26	6.46	3.32	9.06	8.37	3.25
0.75	ODP	8.65	6.46	3.32	9.56	8.37	3.25
1.0	ODP	8.65	6.46	3.32	9.81	8.37	3.25
0.50	TEFC	9.48	7.33	5.87	9.43	8.10	5.31
0.75	TEFC	9.48	7.33	5.87	9.43	8.10	5.31
1.0	TEFC	10.27	7.33	5.87	10.59	8.10	5.31

DRAWING DEPICTS J56 1 PHASE TEFC MOTOR
ALL DIMENSIONS IN INCHES



Construction

Key	Part Name	Standard Fitted
1	Case	304SS
2	Impeller	PPS GF
11	Cover	304SS
26	Cap screw, Retainer	304SS
40	Flinger	Neoprene
71	Motor Disc	Cast Iron
73	Gasket, Case	Buna
89	Mech Seal, Type 21 BN-CARB/SIL	Standard





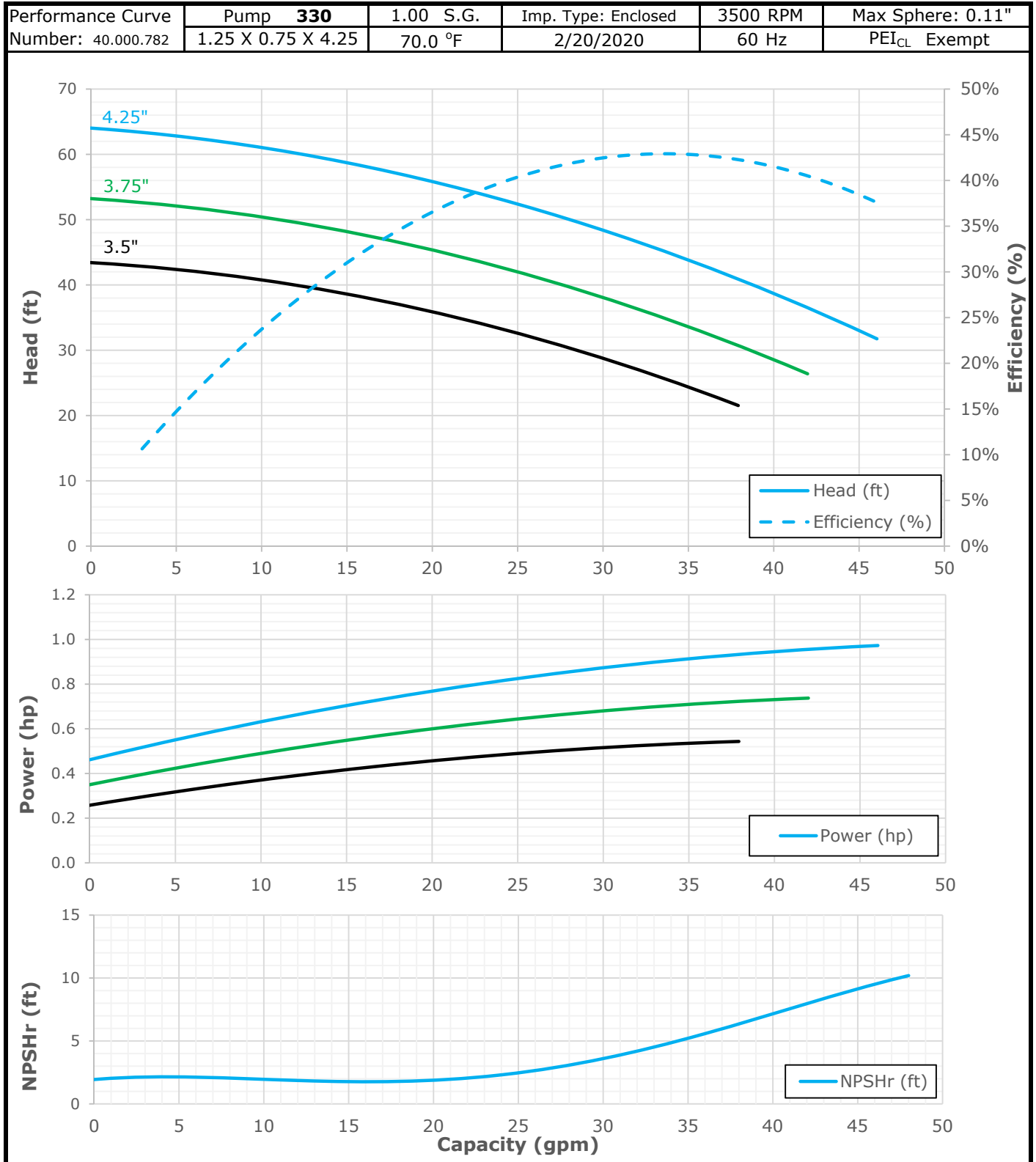
A WILO BRAND

MOTORPUMP™ — 3500 RPM

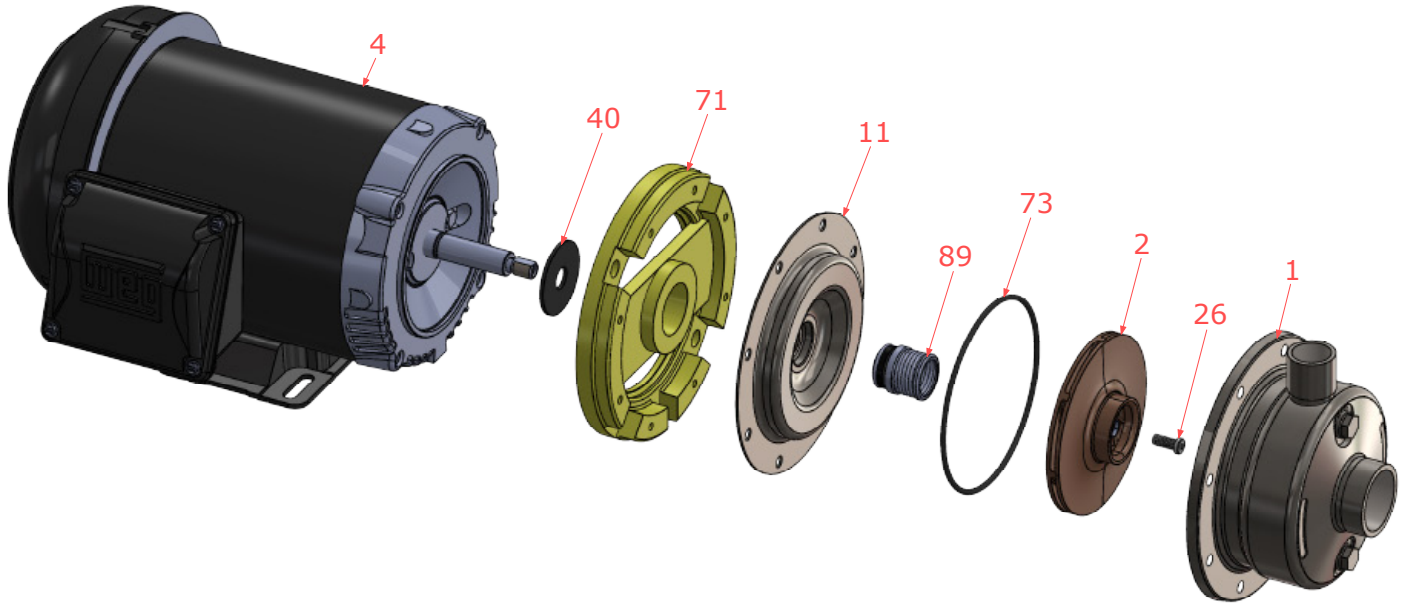
304SS, 60 Hz, 1.25 X 0.75 X 4.25 NPT

330 J56

Performance Curve



Parts



Key	Part Name	Part Number	
1	Case 330, Stainless, 1.25 X 0.75 NPT	137.001.607	
2	Impeller 330/331, PPS-GF, 3.50 dia, 7/16" Thrd	3301214	
	Impeller 330/331, PPS-GF, 3.75 dia, 7/16" Thrd	3301213	
	Impeller 330/331, PPS-GF, 4.19 dia, 7/16" Thrd	3301212	
	Impeller 330/331, PPS-GF, 4.25 dia, 7/16" Thrd	3301211	
	Impeller 330/331, PPS-GF, Specify dia., 6.30" max, 7/16" Thrd	3301119	
4	Motor chart, J56 3.5" Rigid Base	See Chart	
11	Cover, Stainless	137.001.608	
26*+	Retainer, Cap Screw	137.003.152	
40*	Flinger, Neoprene	104.000.171	
71	Motor disc, Iron	137.001.609	
73*	O-ring, Buna	137.001.610	
89*	Seal, 5/8", Type 21, BN-CARB/SIL with retainer	137.003.140	
	Seal, 5/8", Type 21, EPDM CARB/SIL with retainer	137.003.141	
	Seal, 5/8", Type 21, VN-CARB/SIL with retainer	137.003.142	
	Seal, 5/8", Type 21, VN-SIL/SIL with retainer	137.003.143	
KIT		3 Phase:	1 Phase:
	Repair Kit, 5/8" BN-CARB/SIL Seal	118.000.693	118.000.693.1
	Repair Kit, 5/8" EPDM/CARB/SIL Seal	118.000.693C	118.000.693C.1
	Repair Kit, 5/8" VN-CARB/SIL Seal	118.000.693D	118.000.693D.1
	Repair Kit, 5/8" VN-SIL/SIL Seal	118.000.693E	118.000.693E.1

* Denotes components included in repair kit.

+ Not required on 1 phase motors.

Motor Charts

