



A WILO COMPANY

MOTORPUMP™ — 1750 RPM

304SS, 60 Hz, 2.5 X 2 X 7.88 FLG

328 JM

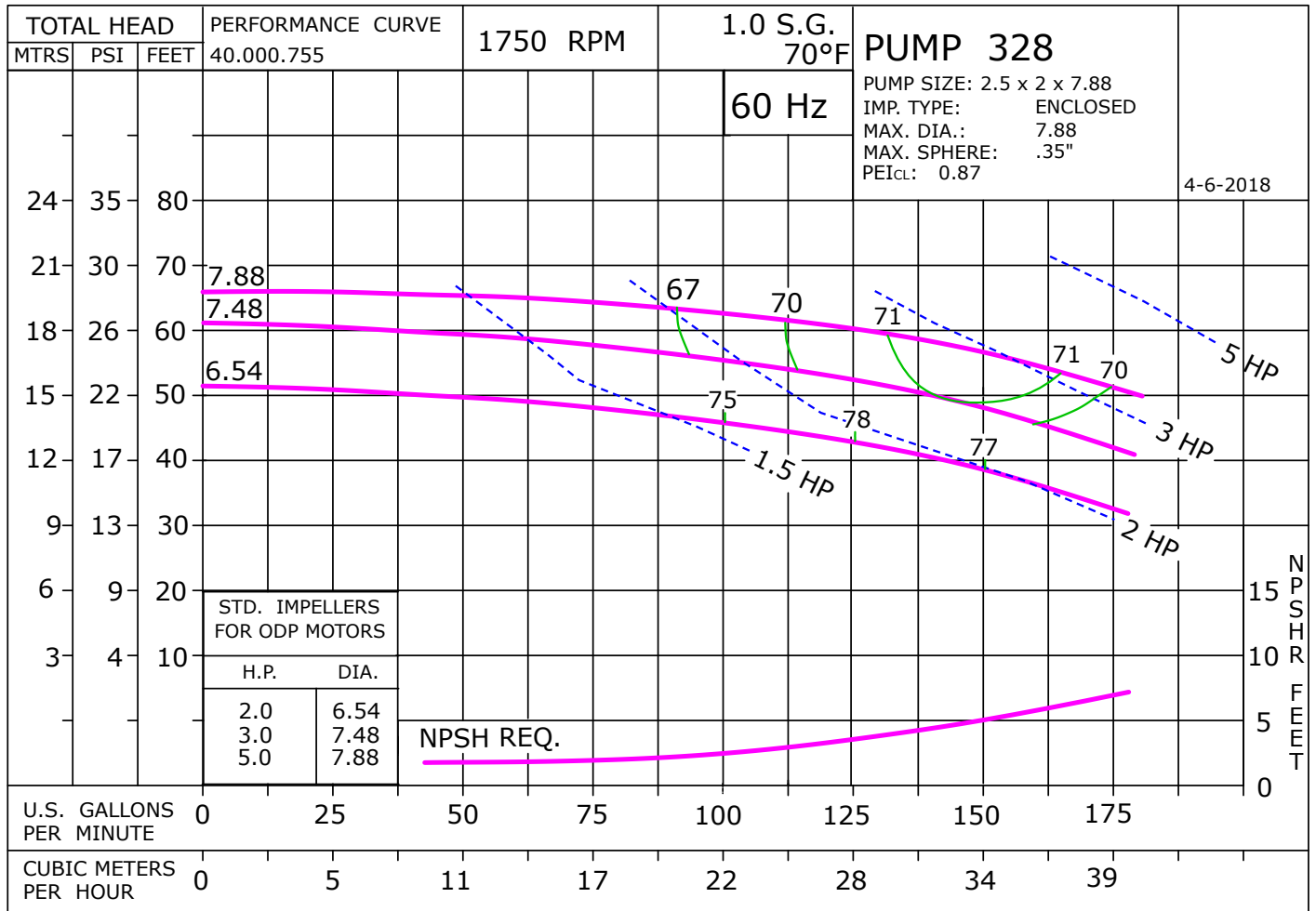
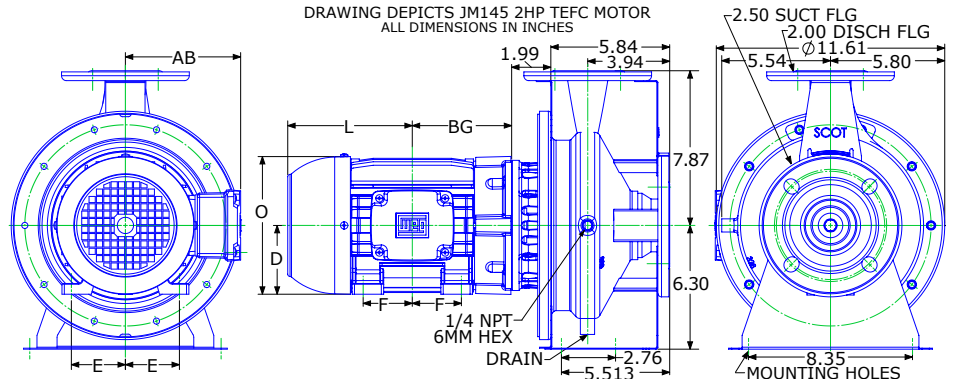


*Pump to be installed only in the horizontal position as shown.

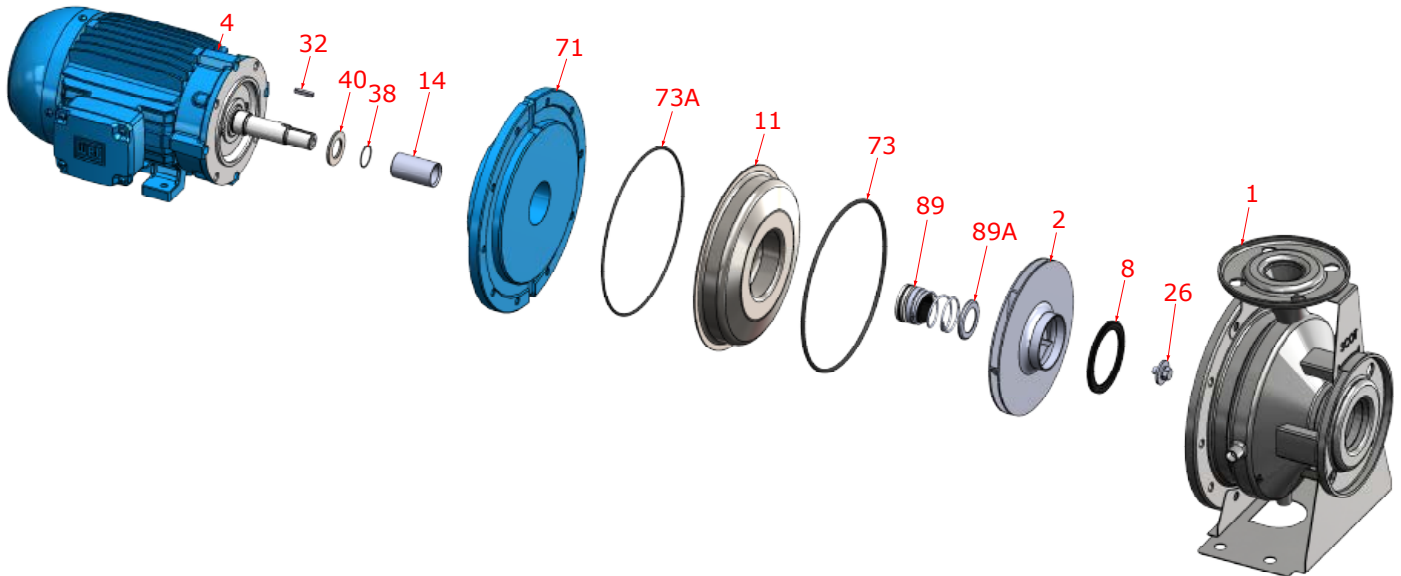


Drinking Water System Component
NSF/ANSI 61
ALSO CLFD IN ACCORDANCE WITH NSF/ANSI 372
MH63154

MOTOR DIMENSIONS										
NEMA JM FRAME 3 PHASE 1750 RPM										
HP	Type	Frame	D	E	F	O	AB	BG	L	MH
2	ODP	JM145	3.50	2.75	2.50	6.72	5.87	5.50	5.11	0.34
3	ODP	JM182	4.50	3.75	2.25	8.56	6.70	5.75	6.65	0.41
5	ODP	JM184	4.50	3.75	2.75	8.56	6.70	6.25	7.33	0.41
2	TEFC	JM145	3.50	2.75	2.50	7.00	6.25	5.06	6.34	0.34
3	TEFC	JM182	4.50	3.75	2.25	8.85	7.57	5.01	7.14	0.41
5	TEFC	JM184	4.50	3.75	2.75	8.85	7.57	5.51	7.64	0.41



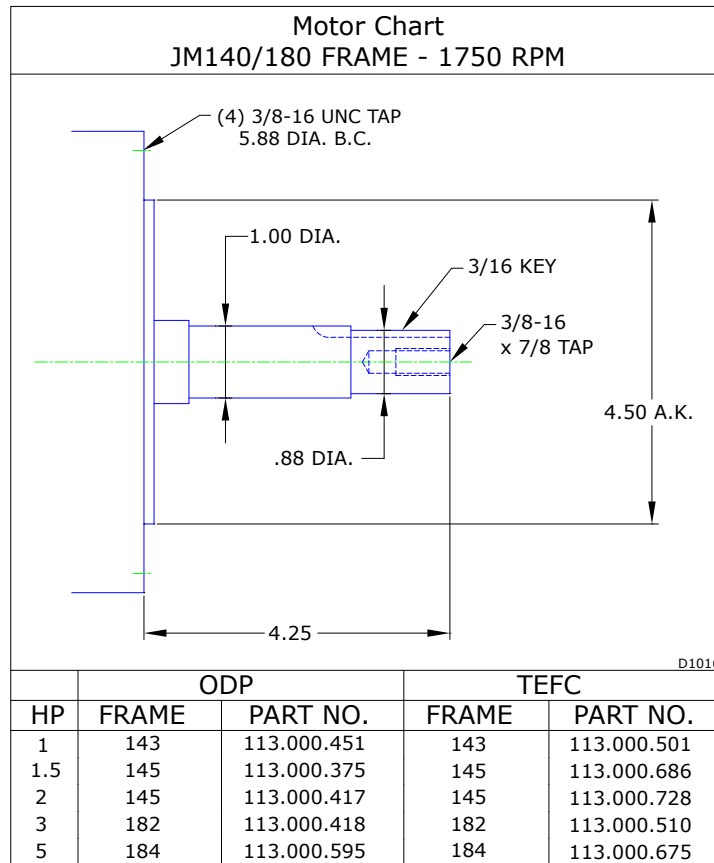
Parts



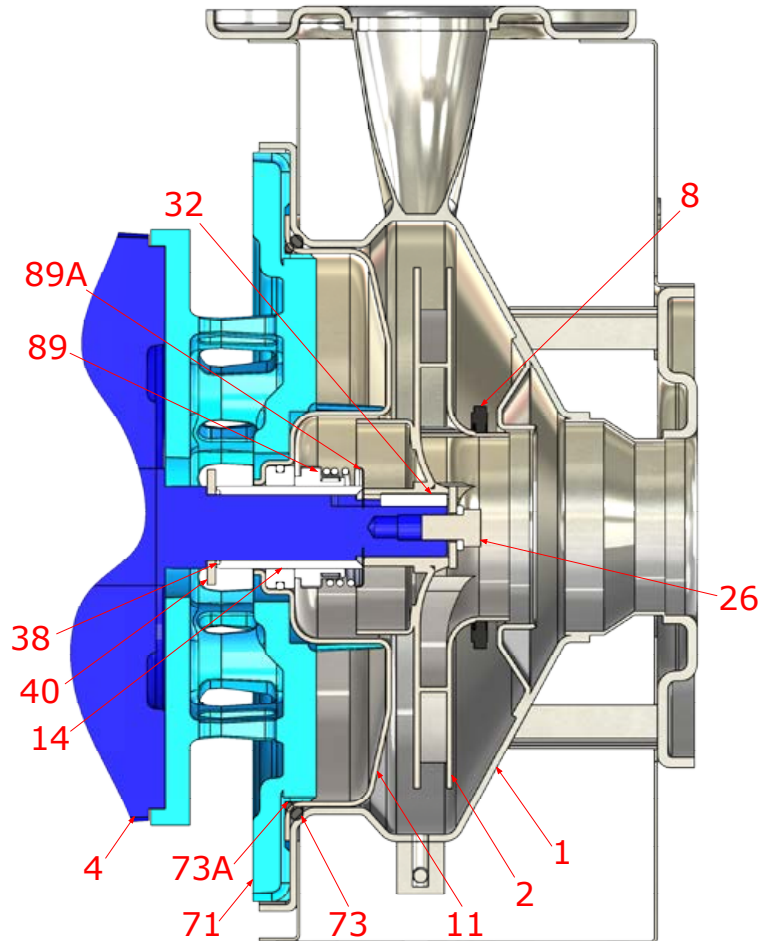
Key No.	Part Name	Part Number
1	Case 328, Stainless, 2.50 X 2.00 FLG	137.002.980.1
2	Impeller 327/328, Stainless, 6.54 Dia., 7/8" Key	137.002.976
	Impeller 328, Stainless, 7.48 Dia., 7/8" Key	137.002.946
	Impeller 328, Stainless, 7.88 Dia., 7/8" Key	137.002.947
4	Motor chart, JM140/180 1750 RPM	See Chart
8	Ring Impeller PPO-20	137.002.931
11	Cover, Stainless	137.002.919
14*	Sleeve, Stainless	137.002.904
26*	Impeller retaining assembly, Stainless	118.000.111A
32*	Key, Stainless	102.000.102
38*	O-ring, Shaft, Buna	116.000.117
40*	Flinger, Stainless	104.000.165
71	Adapter, Iron, JM180 1-1/4" Seal	137.002.918
73*	O-Ring, Shaft, Buna	137.002.922
73A*	O-ring, Cover, Buna	137.003.013
89*	Seal, 1-1/4" Type 21, BN-CARB/CM	137.002.949
	Seal, 1-1/4" Type 21, EPDM-CARB/SIL	137.002.951
	Seal, 1-1/4" Type 21, VN-CARB/CM	137.002.950
	Seal, 1-1/4" Type 21, VN-CARB/SIL	137.002.952
	Seal, 1-1/4" Type 21, VN-SIL/SIL	137.002.953
89A*	Seal spring retainer, Stainless	137.002.948
KIT	Repair Kit, 1-1/4" BN-CARB/CM Seal, BN O-ring	118.000.675
	Repair Kit, 1-1/4" EPDM-CARB/SIL Seal, BN O-ring	118.000.675C
	Repair Kit, 1-1/4" VN-CARB/CM Seal, BN O-ring	118.000.675A
	Repair Kit, 1-1/4" VN-CARB/SIL Seal, BN O-ring	118.000.675D
	Repair Kit, 1-1/4" VN-SIL/SIL Seal, BN O-ring	118.000.675B

* Denotes components included in repair kit

Motor Charts



Construction Options



Construction Options		
Key No.	Part Name	Standard Fitted
1	Case	304SS
2	Impeller	304SS
8	Impeller Ring	PPO-20
11	Cover	304SS
14	Sleeve	304SS
26	Impeller Retaining Assembly	304SS
32	Key	303SS
38	Gasket Shaft	Buna
40	Flinger	304SS
71	Motor Disc	Iron
73	Gasket, Case	Buna
73A	Gasket, Cover	Buna
89	Seal Assembly BN-CARB/CM	Standard
89A	Seal Spring Retainer	304SS