

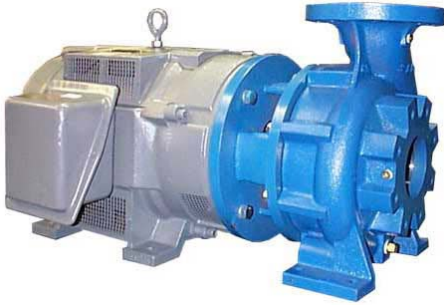


A WILO COMPANY

MOTORPUMP™ — 3500 RPM

Iron, 60 Hz, 4 X 4 X 9 ANSI FLG

63 JP

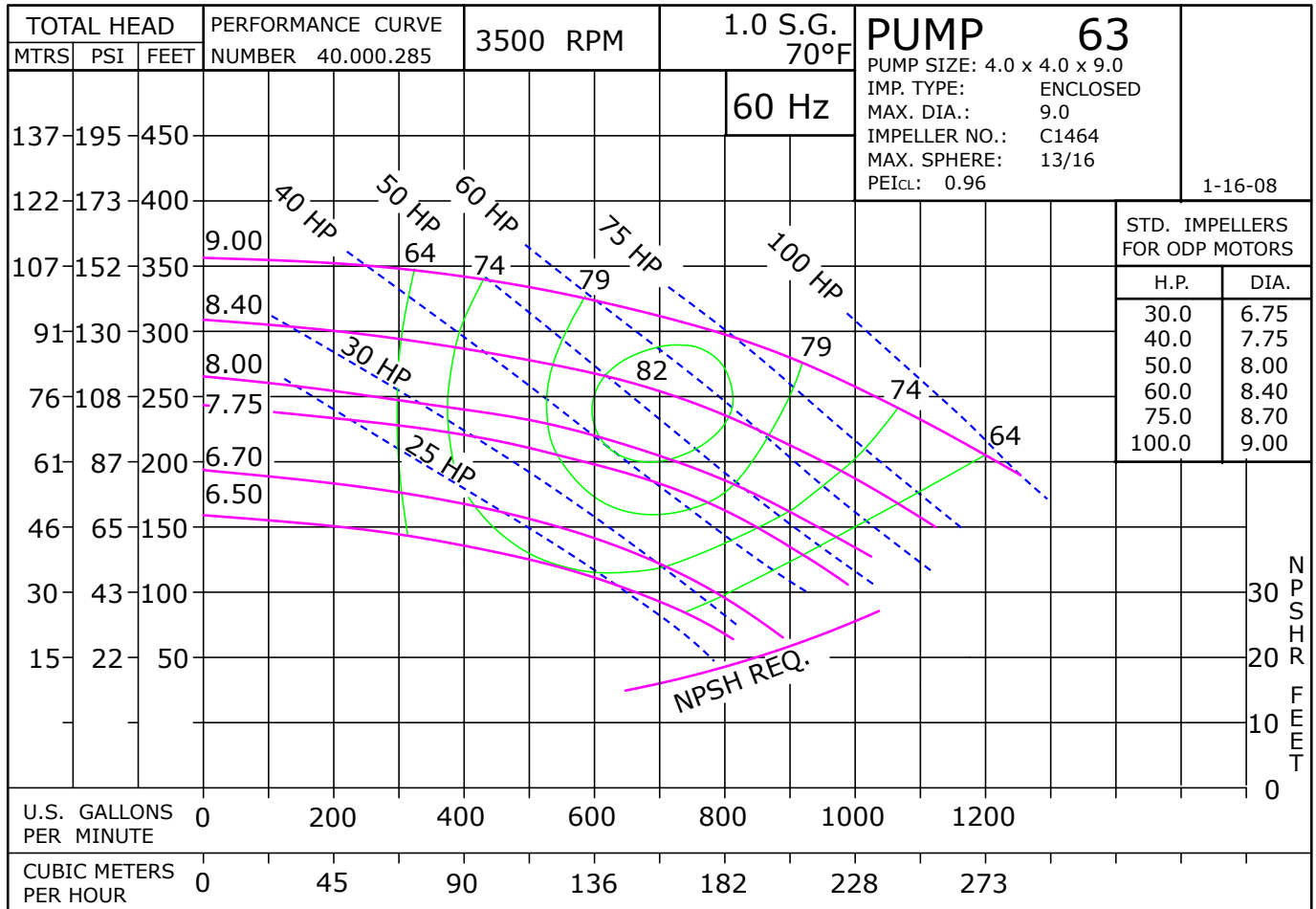
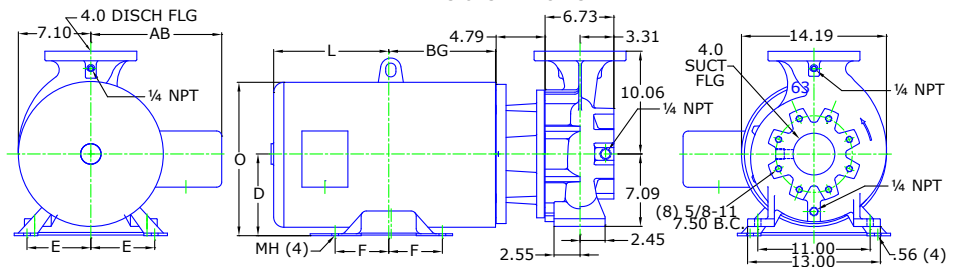


Motor Dimensions

HP	Type	Frame	D	E	F	O	AB	BG	L	MH
30	ODP	JP284	6.97	5.50	4.75	13.07	11.37	9.53	11.53	0.53
40	ODP	JP286	6.97	5.50	5.50	13.07	11.37	10.28	10.78	0.53
50	ODP	JP324	8.00	6.25	5.25	15.59	13.20	10.53	10.90	0.66
60	ODP	JP326	8.00	6.25	6.00	14.63	12.21	11.29	11.15	0.66
75	ODP	TCZ364*	9.00	7.00	5.63	16.52	13.20	11.54	10.52	0.66
100	ODP	TCZ365*	9.00	7.00	6.12	16.59	13.20	12.04	12.02	0.66
30, 40	TEFC	JP286	7.00	5.50	5.50	14.11	11.07	10.02	13.04	0.53
50, 60	TEFC	JP326	8.00	6.25	6.00	15.93	12.58	11.00	14.60	0.66
75	TEFC	TCZ364*	9.00	7.00	5.63	18.52	15.00	11.54	14.96	0.66
100	TEFC	TCZ405*	9.00	7.00	6.12	18.52	15.00	12.01	14.96	0.66

*326JP Shaft

DRAWING DEPICTS JPS324 50HP ODP MOTOR
ALL DIMENSIONS IN INCHES



06350DP

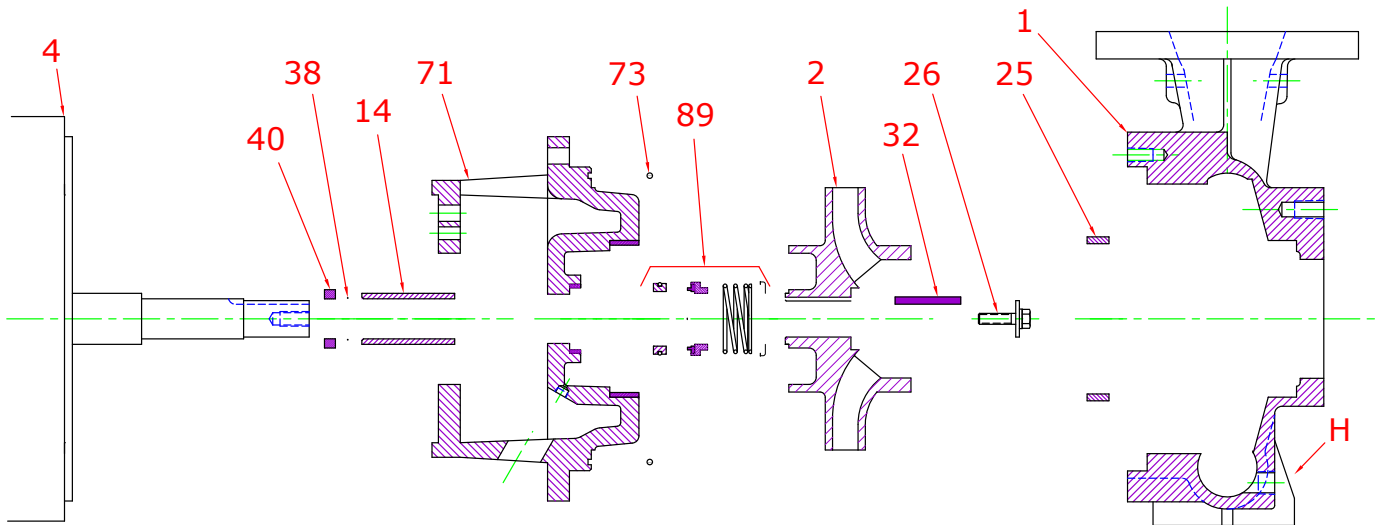
D063JPS324

0633500JP

M19

Scot Pump, A Wilo Company
+1-262-377-7000
scot.sales@wilo.com

Parts

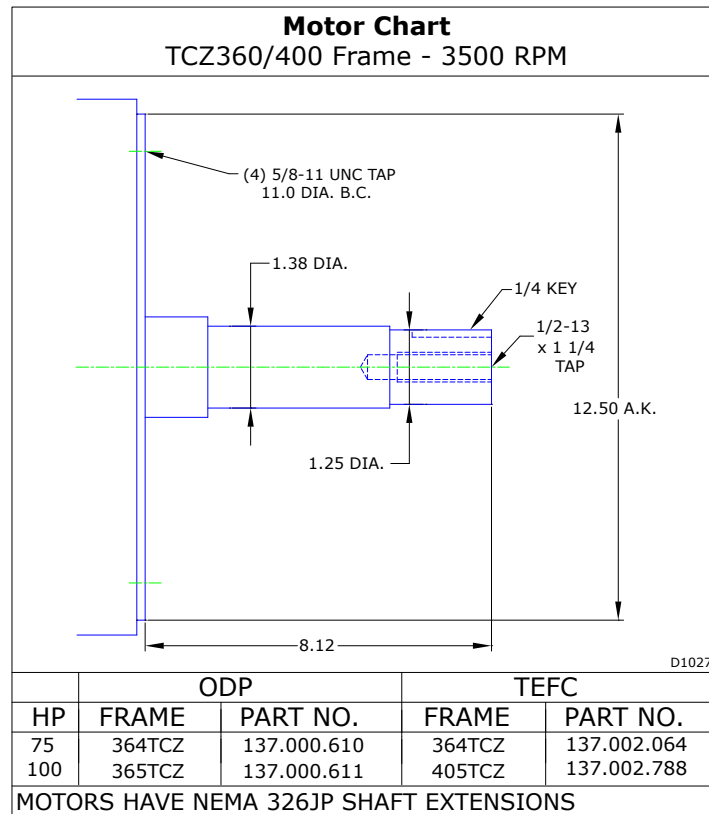
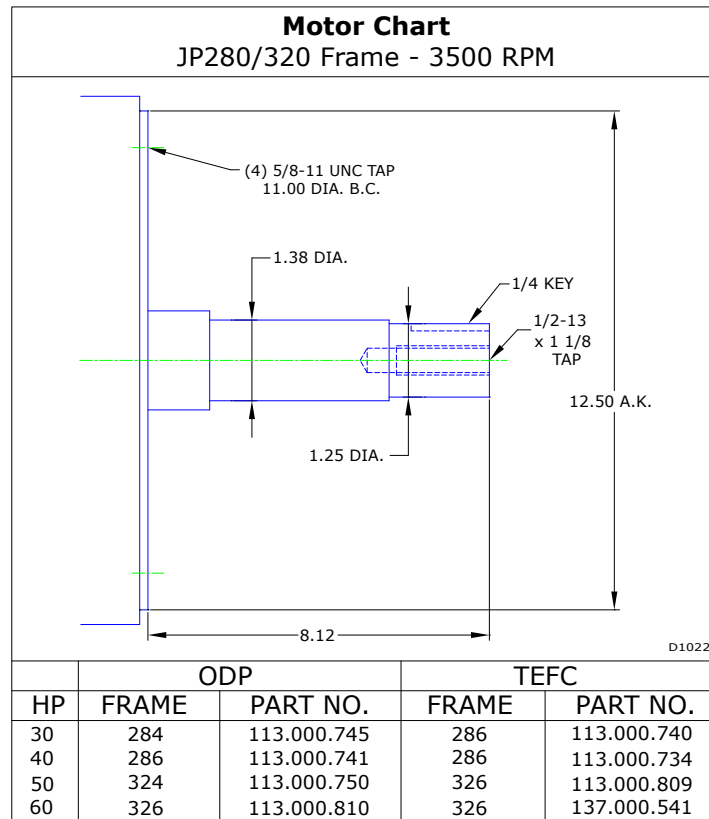


Key No.	Part Name	Part Number
1+	Case 63, Iron, 4.00 X 4.00 FLG Bronze Wear Ring and plugs	130.000.256X
2	Impeller 63, Bronze, Specify Dia., 9.00 Max 1-1/4" Key	137.000.145
	Impeller 63, Iron, Specify Dia., 9.00 Max 1-1/4" Key	137.000.146
4	Motor chart, JP280/320	See Chart
	Motor chart, TCZ360/400 with custom 326JP shaft	See Chart
14*	Shaft Sleeve, Bronze	110.000.397
	Shaft sleeve, Stainless	110.000.308
25	Wear Ring, Bronze	110.000.301
	Wear Ring, Stainless	110.000.300
26*	Impeller retaining assembly, Stainless	118.000.640
32*	Key, Stainless	102.000.257
38*	O-ring, Shaft, Buna	116.000.241
40*	Flinger, Stainless	110.000.307
71	Adapter, Iron, JP280/320 1-3/4" Seal, with Brass plug	132.000.271
73*	Gasket, Case, Buna	116.000.240
89*	Seal, 1-3/4", Type 21, BN-CARB/CM with retainer	101.000.196
	Seal, 1-3/4", Type 21, EPDM-CARB/SIL with retainer	101.000.196B
	Seal, 1-3/4", Type 21, EPDM-SIL/SIL with retainer	137.001.555
	Seal, 1-3/4", Type 21, VN-CARB/CM with retainer	101.000.216
	Seal, 1-3/4", Type 21, VN-CARB/SIL with retainer	101.000.221
	Seal, 1-3/4", Type 21, VN-SIL/SIL with retainer	101.000.231
KIT	Repair Kit, 1-3/4" BN-CARB/CM Seal, Brz sleeve, BN O-ring	118.000.388
	Repair Kit, 1-3/4" EPDM-CARB/SIL Seal, Brz sleeve, BN O-ring	118.000.388D
	Repair Kit, 1-3/4" EPDM-SIL/SIL Seal, Brz sleeve, BN O-ring	118.000.388E
	Repair Kit, 1-3/4" VN-CARB/CM Seal, Stn sleeve, VN O-ring	118.000.388A
	Repair Kit, 1-3/4" VN-CARB/SIL Seal, Brz sleeve, BN O-ring	118.000.388B
	Repair Kit, 1-3/4" VN-SIL/SIL Seal, Stn sleeve, VN O-ring	118.000.388C

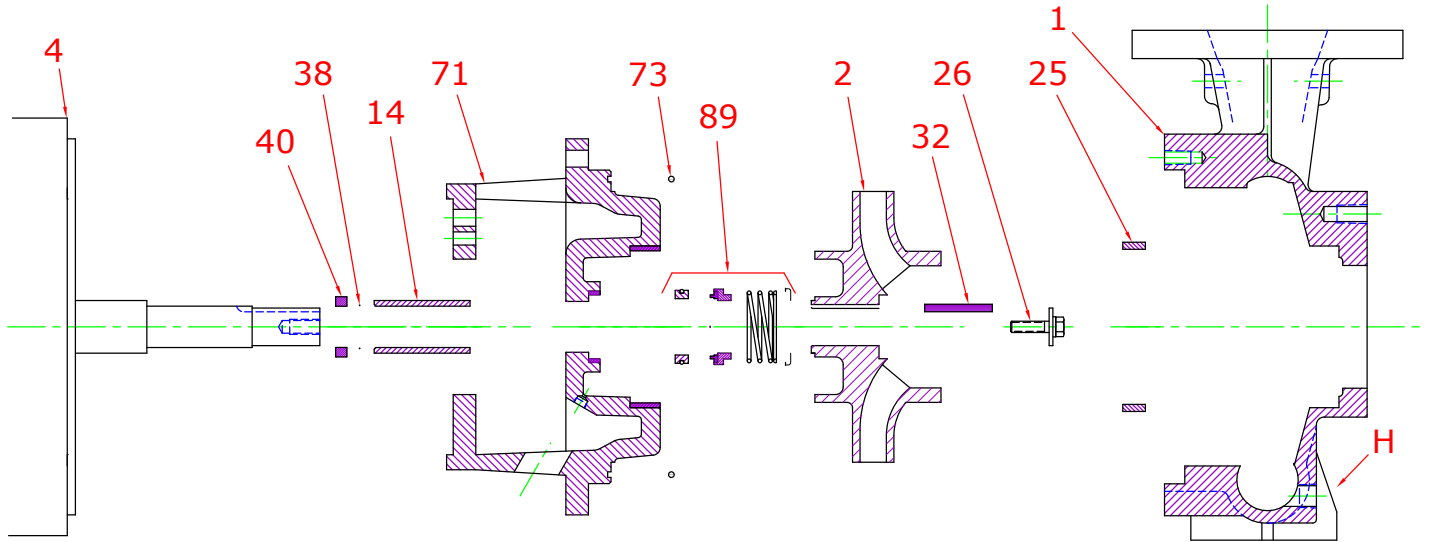
* Denotes components included in repair kit.

+ Includes bronze wear ring. For steel, replace suffix "X" with "X1".

Motor Charts



Construction Options



Construction Options				
Key No.	Part Name	Standard Fitted	Bronze Fitted	All Iron
1	Case	Iron	Iron	Iron
2	Impeller	Iron	Bronze	Iron
14	Shaft Sleeve	Bronze	Bronze	Stainless
25	Wear Ring, Case	Bronze	Bronze	Steel
26	Impeller Retaining Assembly	Stainless	Stainless	Stainless
32	Key	Stainless	Stainless	Stainless
38	O-Ring, Shaft	Buna	Buna	Buna
40	Flinger	Stainless	Stainless	Stainless
71	Adapter	Iron	Iron	Iron
73	Gasket, Case	Buna	Buna	Buna
89	Mechanical Seal, Type 21, BN-CARB/CM	Standard	Standard	Standard
H	Plug, Drain	Brass	Brass	Plated Steel