



A WILO COMPANY

MOTORPUMP™ — 3500 RPM

Iron, 60 Hz, 6 X 5 X 7 ANSI FLG

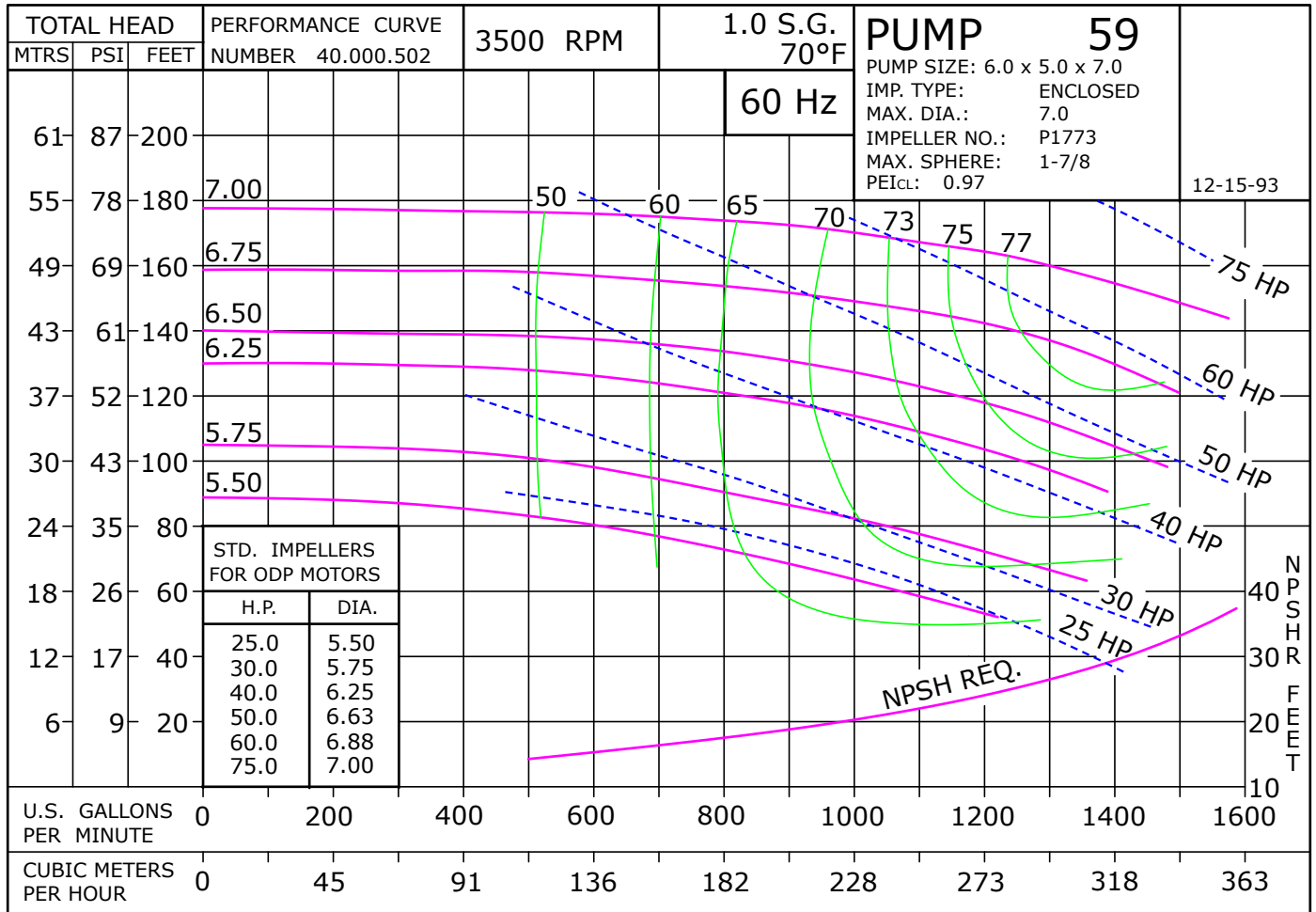
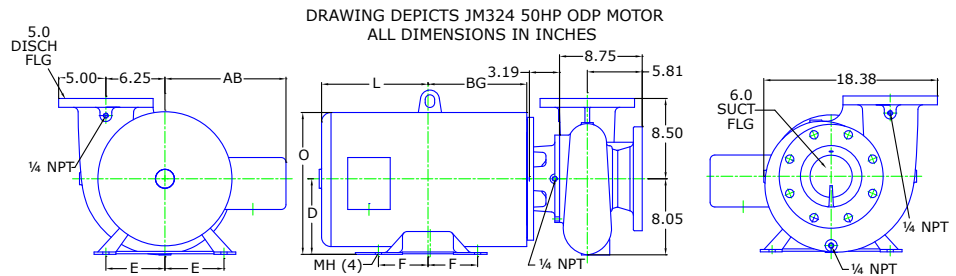
59 JM



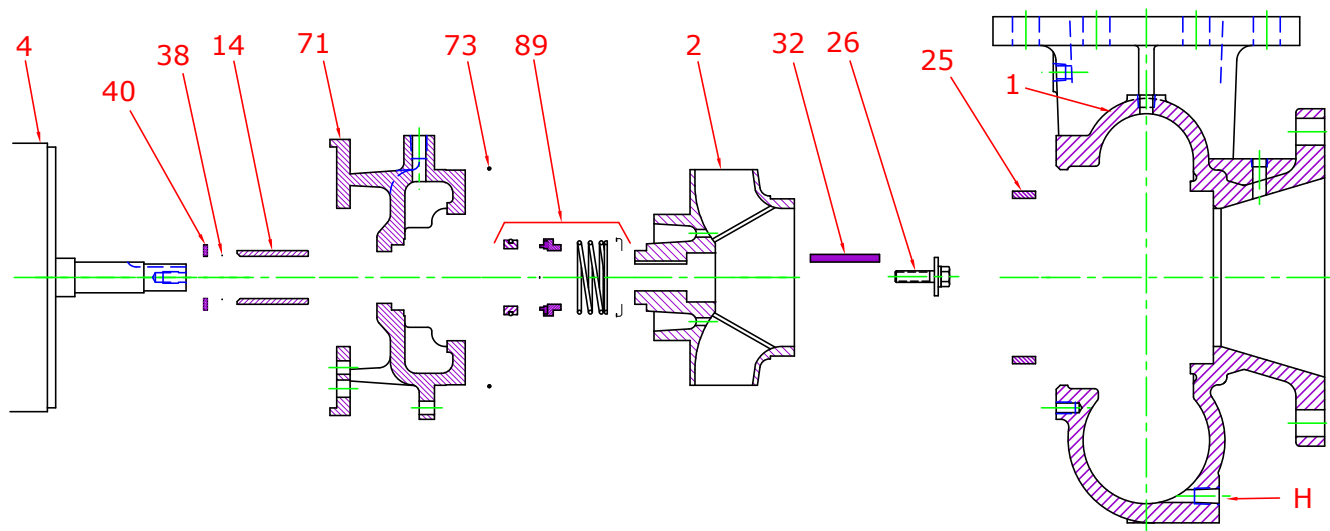
Motor Dimensions										
HP	NEMA Type	Premium Efficient Frame	D	E	F	O	AB	BG	L	MH
30	ODP	JM284	6.97	5.50	5.50	13.59	11.37	10.25	10.81	0.53
40	ODP	JM286	6.97	5.50	5.50	13.59	11.37	10.25	12.06	0.53
50	ODP	JM324	8.00	6.25	5.25	15.59	12.21	10.54	10.43	0.66
60	ODP	JM326	8.00	6.25	6.00	15.59	12.21	11.28	11.15	0.66
75	ODP	JM364*	Contact Factory							
25	TEFC	JM284	7.00	5.50	4.75	14.11	11.07	9.26	12.29	0.53
30	TEFC	JM286	7.00	5.50	5.50	14.11	11.07	10.02	13.04	0.53
40	TEFC	JM324	8.00	6.25	5.25	15.93	12.58	10.25	13.83	0.66
50, 60	TEFC	JM326	8.00	6.25	6.00	15.93	12.58	11.00	14.60	0.66
75	TEFC	JM364*	Contact Factory							

* 326JM Shaft

25HP only available with a TEFC motor



Parts

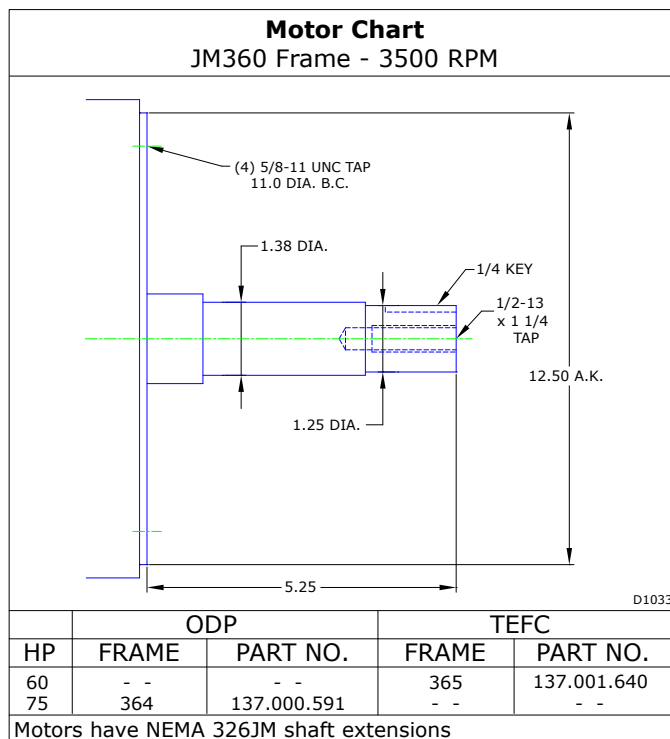
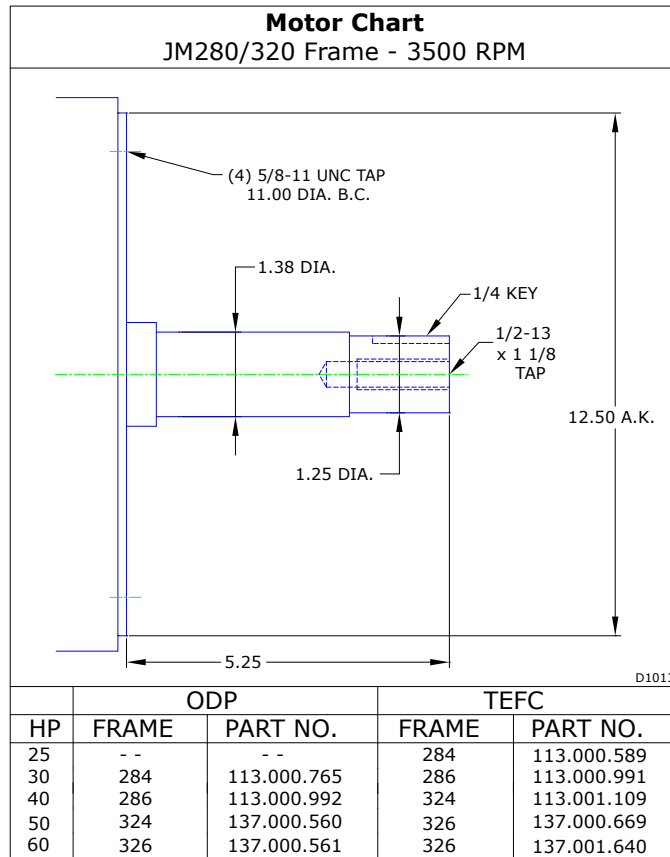


Key No.	Part Name	Part Number
1+	Case 59, Iron, 6.00 X 5.00 FLG Bronze Wear Ring and plugs	137.000.563X
2	Impeller 59, Bronze, Specify Dia., 7.00" Max 1-1/4" Key	137.000.734
	Impeller 59, Iron, Specify Dia., 7.00" Max 1-1/4" Key	137.000.569
4	Motor chart, JM280/320	See Chart
	Motor chart, JM360	See Chart
14*	Shaft Sleeve, Bronze	110.000.366
	Shaft Sleeve, Stainless	110.000.365
25	Wear Ring, Bronze	137.000.565
	Wear Ring, Steel	137.001.641
26*	Impeller retaining assembly, Stainless	118.000.640
32*	Key, Stainless	102.000.257
38*	O-ring, Shaft, Buna	116.000.218
	O-ring, Shaft, Viton	116.000.218A
40*	Flinger, Stainless	104.000.200
71	Adapter, Iron, JM280/320/360 1-3/4" Seal, Brass plugs	137.000.568X
73*	Gasket, Case, Buna	116.000.184
89*	Seal, 1-3/4", Type 21, BN-CARB/CM with retainer	101.000.196
	Seal, 1-3/4", Type 21, EPDM-CARB/SIL with retainer	101.000.196B
	Seal, 1-3/4", Type 21, EPDM-SIL/SIL with retainer	137.001.555
	Seal, 1-3/4", Type 21, VN-CARB/CM with retainer	101.000.216
	Seal, 1-3/4", Type 21, VN-CARB/SIL with retainer	101.000.221
	Seal, 1-3/4", Type 21, VN-SIL/SIL with retainer	101.000.231
KIT	Repair Kit, 1-3/4" BN-CARB/CM Seal, Brz sleeve, BN O-ring	118.000.530
	Repair Kit, 1-3/4" EPDM-CARB/SIL Seal, Brz sleeve, BN O-ring	118.000.530C
	Repair Kit, 1-3/4" EPDM-SIL/SIL Seal, Brz sleeve, BN O-ring	118.000.530E
	Repair Kit, 1-3/4" VN-CARB/CM Seal, Stn sleeve, VN O-ring	118.000.530A
	Repair Kit, 1-3/4" VN-CARB/SIL Seal, Brz sleeve, BN O-ring	118.000.530B
	Repair Kit, 1-3/4" VN-SIL/SIL Seal, SS sleeve, VN O-ring	118.000.530D

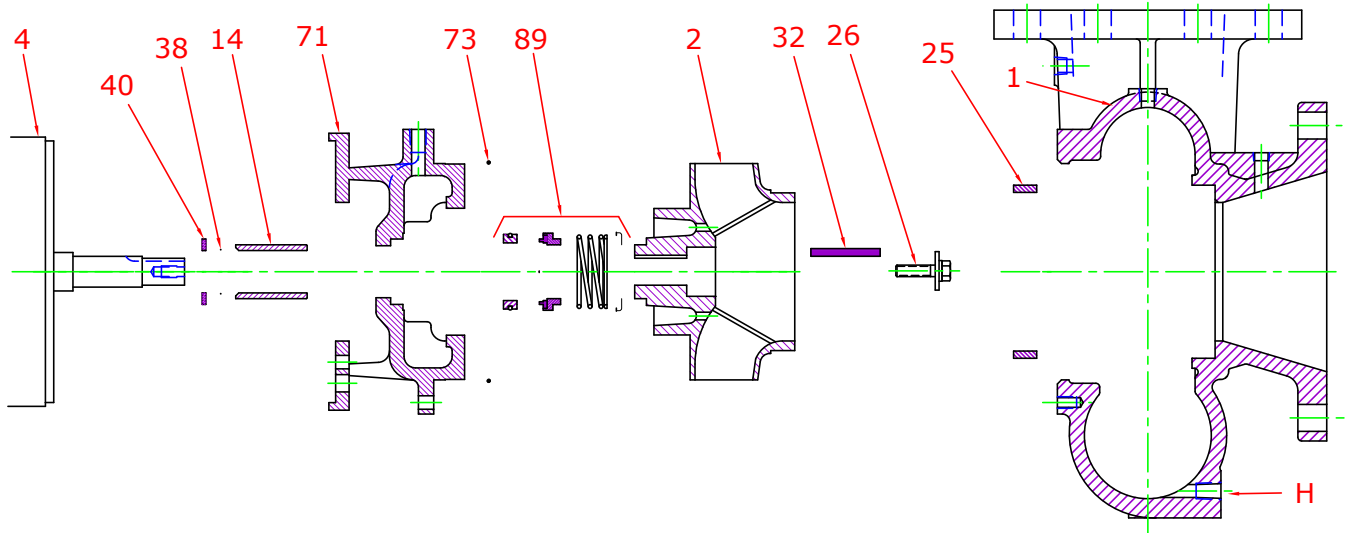
* Denotes components included in repair kit.

+ Includes bronze wear ring. For steel, replace suffix "X" with "X1".

Motor Charts



Construction Options



Construction Options				
Key	Part Name	Standard Fitted	Bronze Fitted	All Iron
1	Case	Iron	Iron	Iron
2	Impeller	Iron	Bronze	Iron
14	Shaft Sleeve	Bronze	Bronze	Stainless
25	Wear Ring	Bronze	Bronze	Steel
26	Impeller Retaining Assembly	Stainless	Stainless	Stainless
32	Key	Stainless	Stainless	Stainless
38	O-Ring, Shaft	Buna	Buna	Buna
40	Flinger	Stainless	Stainless	Stainless
71	Adapter	Iron	Iron	Iron
73	Gasket, Case	Buna	Buna	Buna
89	Mechanical Seal, Type 21 BN-CM	Standard	Standard	Standard
H	Plug, Drain	Brass	Brass	Plated Steel