



A WILO COMPANY

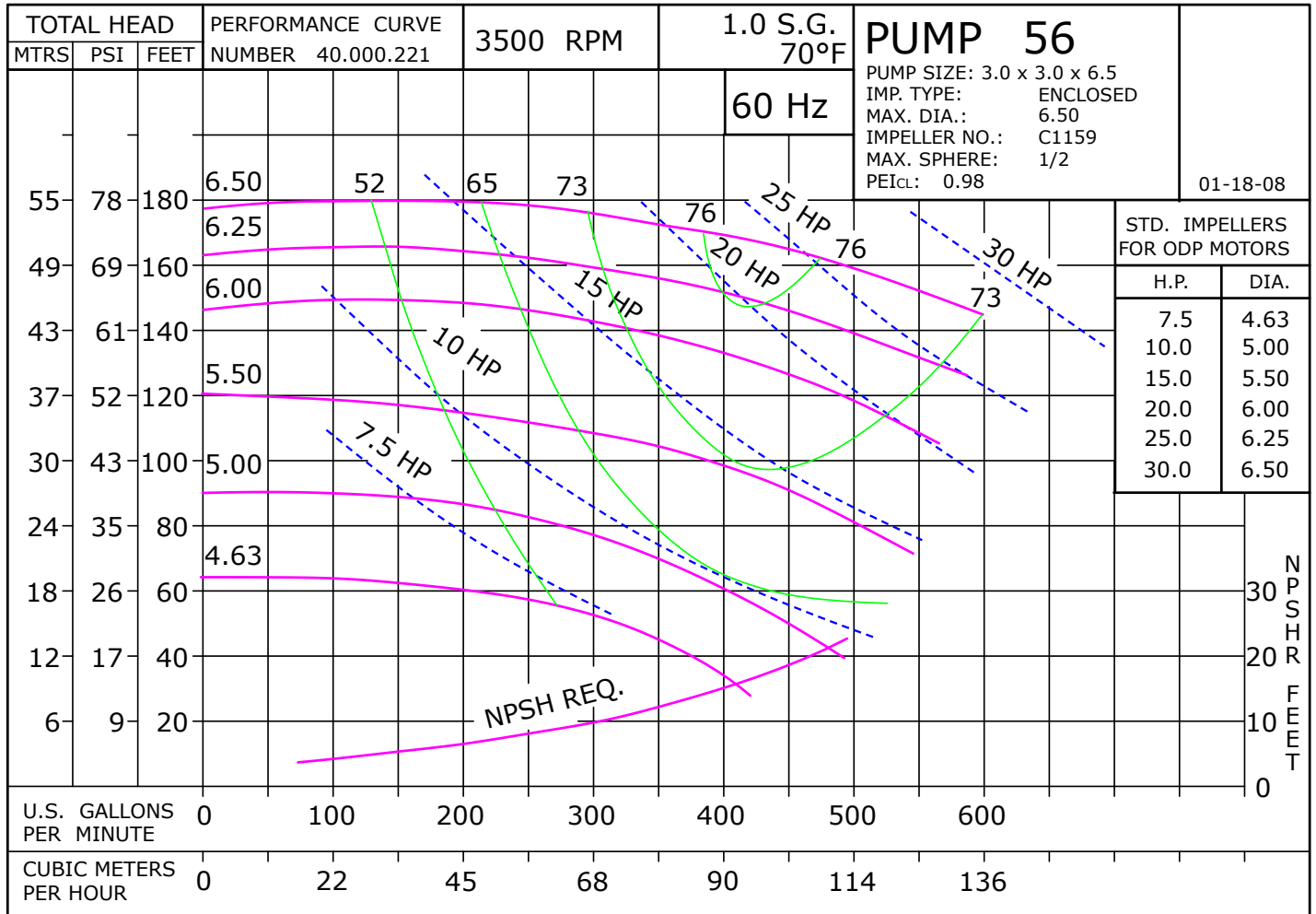
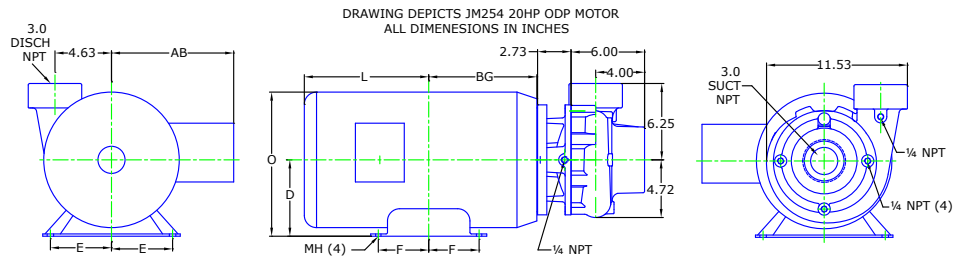
MOTORPUMP™ — 3500 RPM

Iron, 60 Hz, 3 X 3 X 6.5 NPT

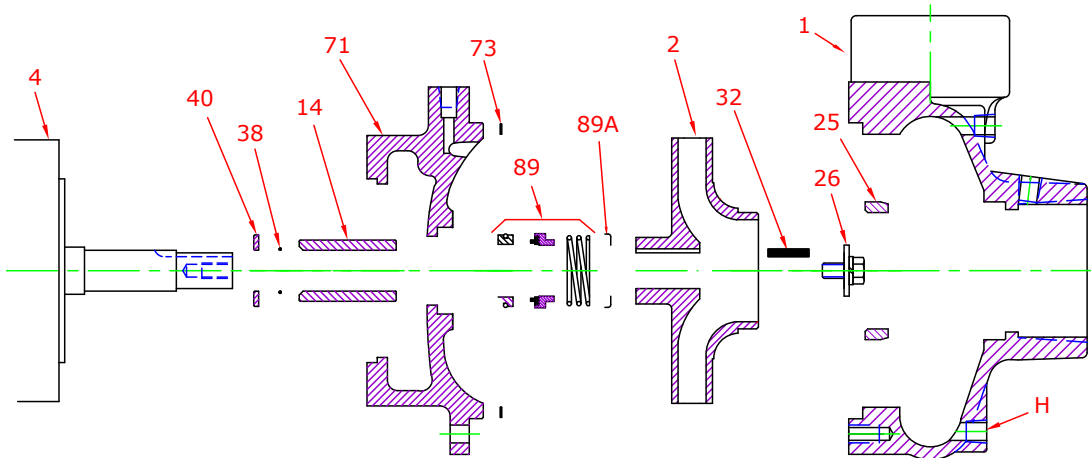
56 JM



Motor Dimensions										
HP	Type	Frame	D	E	F	O	AB	BG	L	MH
7.5	ODP	JM184	4.50	3.75	2.25	8.44	6.74	5.75	6.56	0.41
10	ODP	JM213	5.25	4.25	2.75	10.03	7.92	7.00	6.94	0.43
15	ODP	JM215	5.25	4.25	3.50	10.03	7.92	7.75	6.19	0.43
20	ODP	JM254	6.25	5.00	4.13	12.00	9.49	8.88	9.06	0.53
25	ODP	JM256	6.25	5.00	5.00	12.00	9.49	9.75	8.19	0.53
30	ODP	JM284	6.97	5.50	5.50	13.59	11.37	10.25	10.81	0.53
7.5	TEFC	JM184	4.50	3.75	2.75	9.34	7.57	5.51	7.64	0.41
10, 15	TEFC	JM215	5.25	4.25	3.50	10.37	8.19	6.77	9.16	0.41
20, 25	TEFC	JM256	6.25	5.00	5.00	12.76	10.48	9.01	11.70	0.53
30	TEFC	JM286	7.00	5.50	5.50	14.11	11.07	10.02	13.04	0.53



Parts

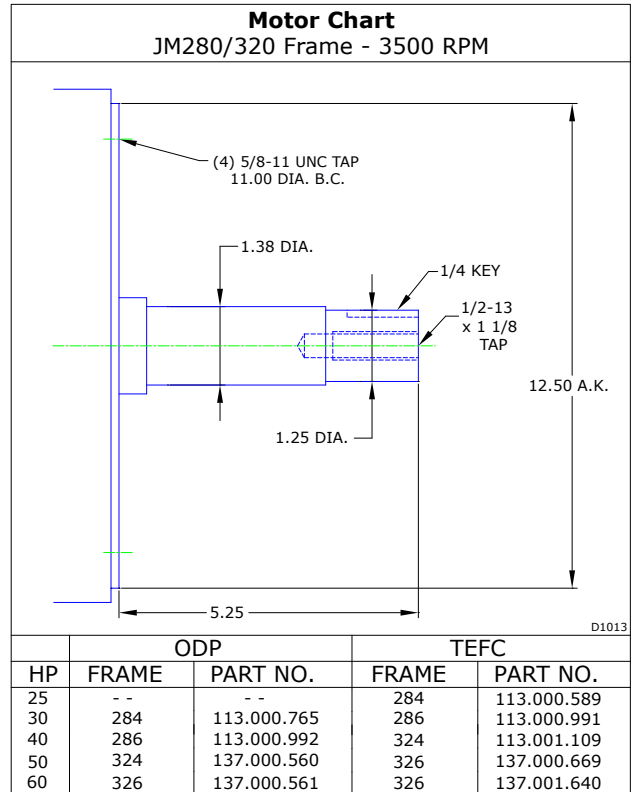
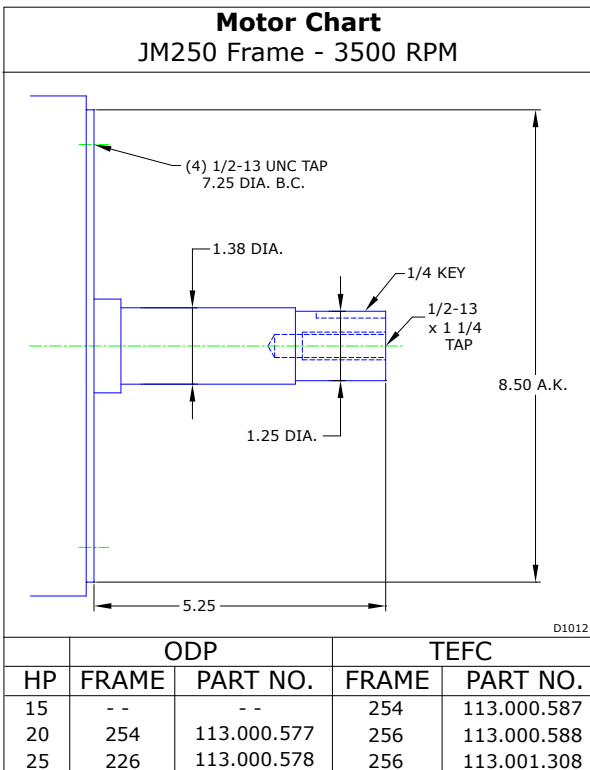
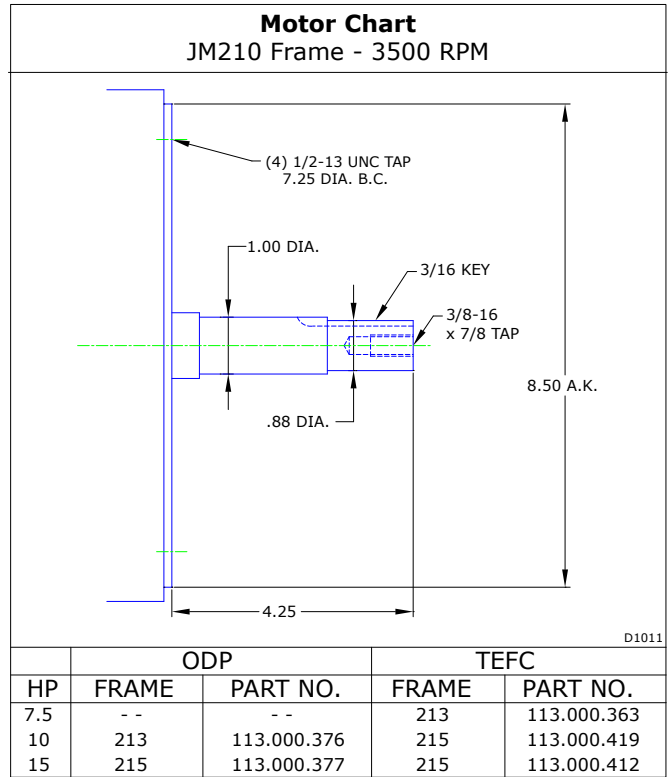
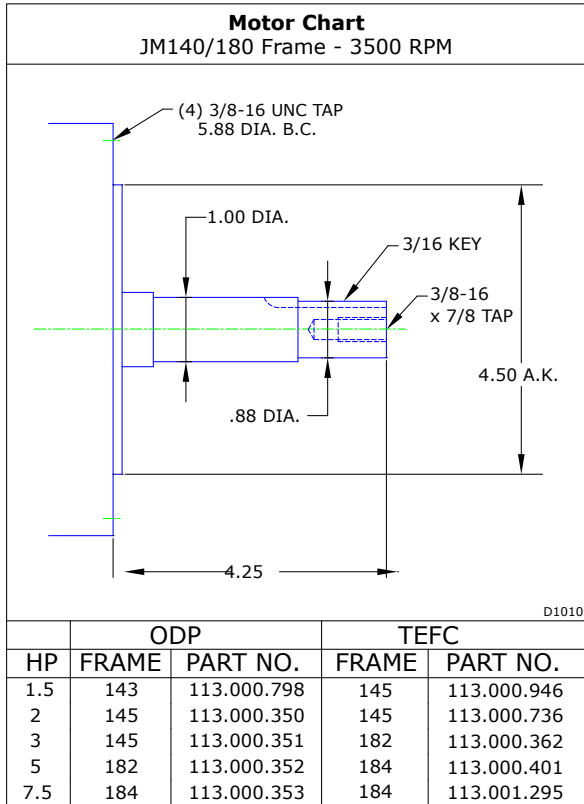


Key	Part Name	Part Number	
		7.5-15 HP	20-30 HP
1+	Case 55/56, Iron, 3 X 3 NPT Bronze Wear Ring & plugs	130.000.243X	130.000.243X
	Case 55/56, Iron, 4 X 3 NPT Bronze Wear Ring & plugs	--	130.000.244X
2		7/8" Key	1 1/4" Key
	Impeller 56, Iron, Specify Dia., 6.50 Max	131.000.809	131.000.824
4	Motor, JM140/180	See Chart	--
	Motor, JM210	See Chart	--
	Motor, JM250	--	See Chart
	Motor chart, JM280/320	--	See Chart
14*	Shaft sleeve, Bronze	110.000.178	110.000.248
	Shaft sleeve, Stainless	110.000.192	110.000.261
25	Wear ring, Bronze	103.000.138	103.000.138
	Wear ring, Steel	103.000.152	103.000.152
26*	Impeller retaining assembly, Stainless	118.000.163A	118.000.234
32*	Key, Stainless	102.000.102	102.000.208
38*	O-ring, Shaft, Buna	116.000.117	116.000.218
	O-ring, Shaft, Viton	116.000.105	116.000.218A
40*	Flinger, Stainless	104.000.165	104.000.200
71	Adapter, Iron, JM140/180 1-1/2" Seal, with Brass plug	132.000.202X	--
	Adapter, Iron, JM210 1-1/2" Seal, with Brass plug	132.000.213X	--
	Adapter, Iron, JM250 1-3/4" Seal, with Brass plug	--	132.000.245X
	Adapter, Iron, JM280 1-3/4" Seal, with Brass plug	--	132.000.246X
73*	Gasket, Case, Fiber	116.000.157	116.000.157
		1 1/2"	1 3/4"
89*	Seal, Type 21, BN-CARB/CM	101.000.168	101.000.196
	Seal, Type 21, EPDM-CARB/SIL	101.000.175B	101.000.196B
	Seal, Type 21, EPDM-SIL/SIL	101.000.204A	137.001.555
	Seal, Type 21, VN-CARB/CM	101.000.191	101.000.216
	Seal, Type 21, VN-CARB/SIL	101.000.175	101.000.221
	Seal, Type 21, VN-SIL/SIL	101.000.204	101.000.231
89A*	Seal spring retainer, Stainless	104.000.174	Included w/seal
KIT	Repair Kit, BN-CARB/CM Seal, Brz sleeve, BN O-ring	118.000.344	118.000.345
	Repair Kit, EPDM-CARB/SIL Seal, Brz sleeve, BN O-ring	118.000.344C	118.000.345F
	Repair Kit, EPDM-SIL/SIL Seal, Brz sleeve, BN O-ring	118.000.344D	118.000.345G
	Repair Kit, VN-CARB/CM Seal, Brz sleeve, BN O-ring	118.000.344K	118.000.345E
	Repair Kit, VN-CARB/CM Seal, Stn sleeve, VN O-ring	118.000.344A	118.000.345A
	Repair Kit, VN-CARB/SIL Seal, Brz sleeve, BN O-ring	118.000.344B	118.000.345B
	Repair Kit, VN-SIL/SIL Seal, Stn sleeve, VN O-ring	118.000.344F	118.000.345C

* Denotes components included in repair kit.

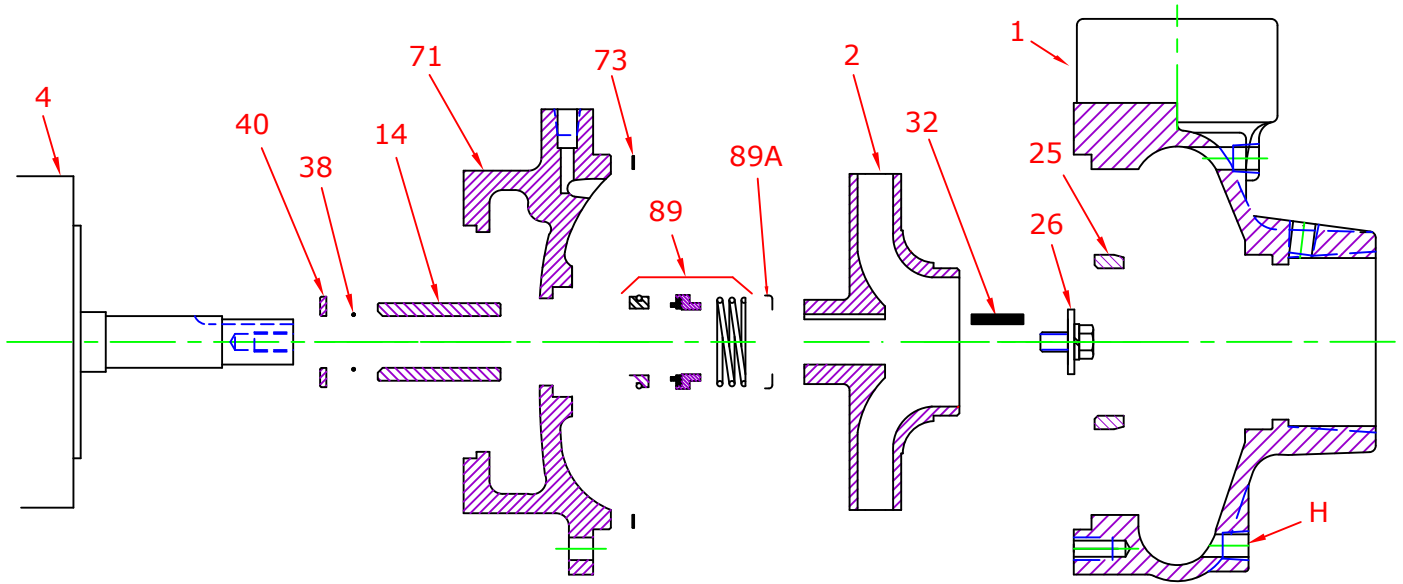
+ Includes bronze wear ring. For steel, replace suffix "X" with "X1".

Motor Charts



D1010
D1011
D1012
D1013
A21

Construction Options



Construction Options			
Key	Part Name	Standard Fitted	All Iron
1	Case	Iron	Iron
2	Impeller	Iron	Iron
14	Shaft Sleeve	Bronze	Stainless
25	Wear Ring	Bronze	Steel
26	Impeller Retaining Assy	Stainless	Stainless
32	Key	Stainless	Stainless
38	Shaft O-Ring	Buna	Buna
40	Flinger	Stainless	Stainless
71	Adapter	Iron	Iron
73	Gasket, Case	Fiber	Fiber
89	Mechanical Seal, Type 21 BN-CM	Standard	Standard
89A*	Seal Spring Retainer	Stainless	Stainless
H	Plug, Drain	Brass	Plated Steel

* Included with seal on 20-25 HP