



A WILO COMPANY

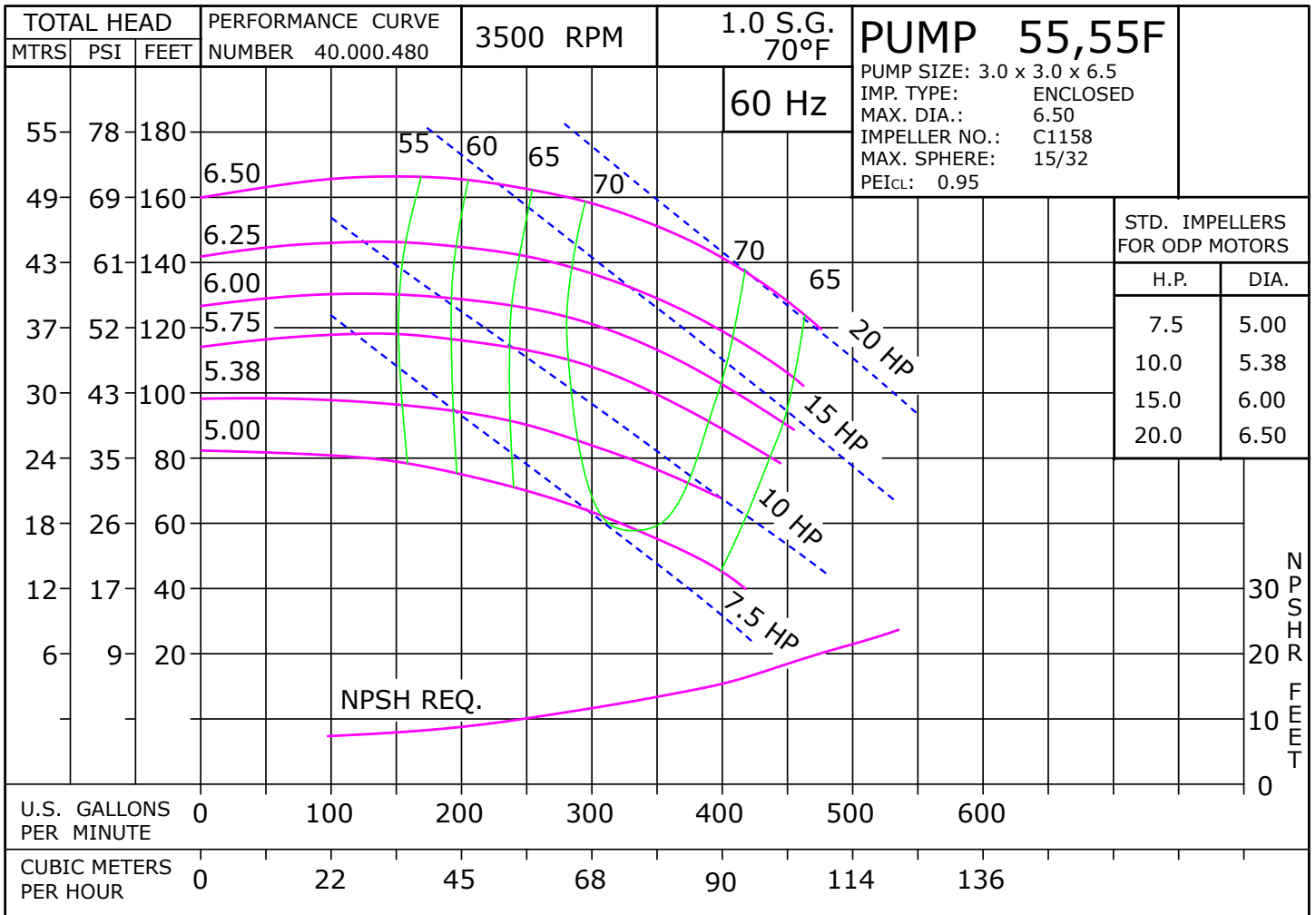
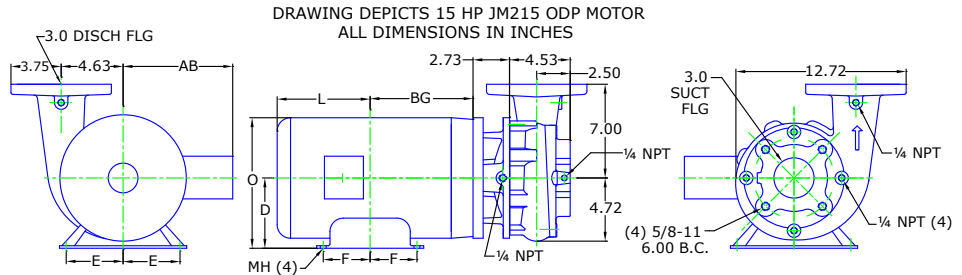
MOTORPUMP™ — 3500 RPM

Iron, 60 Hz, 3 X 3 X 6.5 ANSI FLG

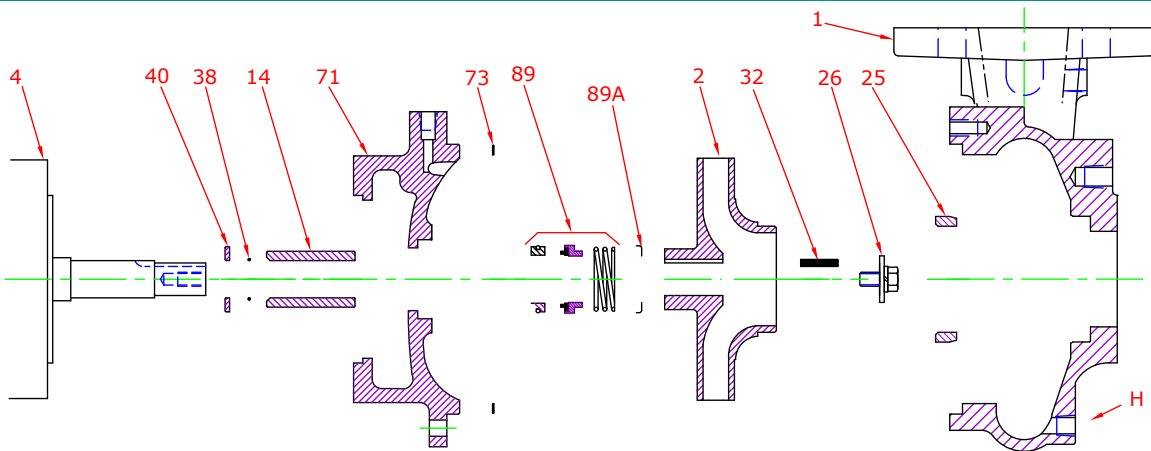
55F JM



Motor Dimensions										
HP	Type	Frame	D	E	F	O	AB	BG	L	MH
7.5	ODP	JM184	4.50	3.75	2.25	8.44	6.74	5.75	6.56	0.41
10	ODP	JM213	5.25	4.25	2.75	10.03	7.92	7.00	6.94	0.43
15	ODP	JM215	5.25	4.25	3.50	10.03	7.92	7.75	6.19	0.43
20	ODP	JM254	6.25	5.00	4.13	12.00	9.49	8.88	9.06	0.53
7.5	TEFC	JM184	4.50	3.75	2.75	9.34	7.57	5.51	7.64	0.41
10, 15	TEFC	JM215	5.25	4.25	3.50	10.37	8.19	6.77	9.16	0.41
20	TEFC	JM256	6.25	5.00	5.00	12.76	10.48	9.01	11.70	0.53



Parts

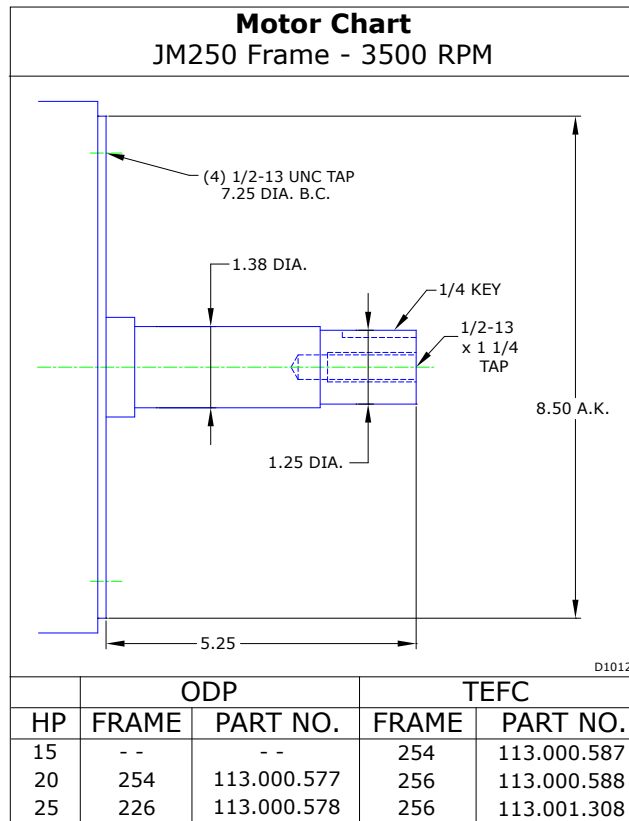
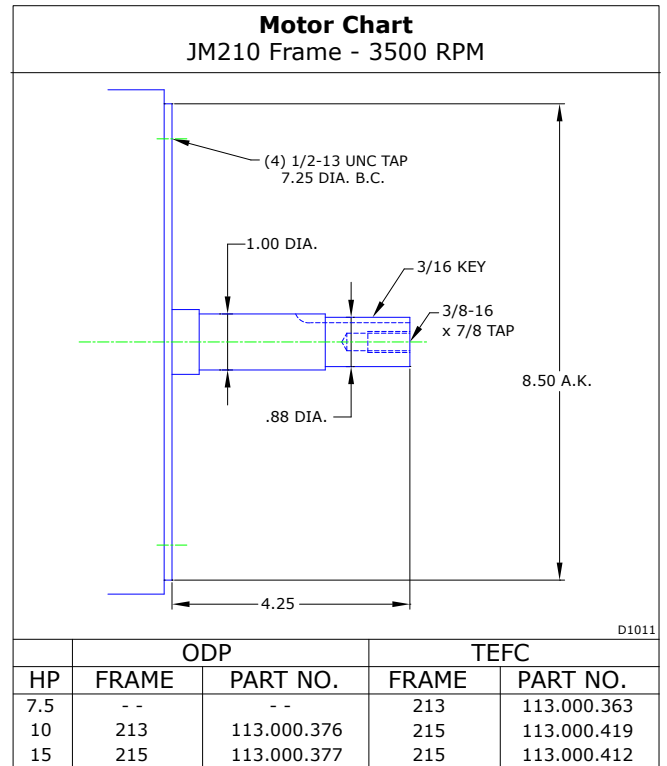
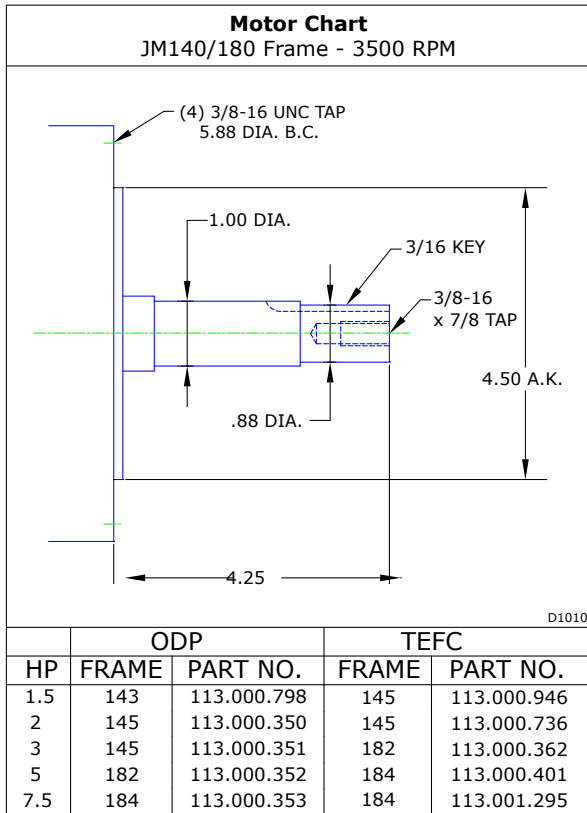


Key No.	Part Name	Part Number		
		7.5-15 HP	20 HP	
1+	Case 55/56F, Iron, 3 X 3 FLG Bronze Wear Ring & plugs	130.000.185X	130.000.185X	
2	Impeller 55, Bronze, Specify Dia., 6.50 Max	7/8" Key	1 1/4" Key	
		137.000.116	137.000.481	
4	Impeller 55, Iron, Specify Dia., 6.50 Max	137.000.115	137.000.117	
	Motor, JM140/180	See Chart	--	
	Motor, JM210	See Chart	--	
14*	Motor, JM250	--	See Chart	
	Shaft sleeve, Bronze	110.000.178	110.000.248	
25	Shaft sleeve, Stainless	110.000.192	110.000.261	
	Wear ring, Bronze	103.000.138	103.000.138	
26*	Wear ring, Steel	103.000.152	103.000.152	
	Impeller retaining assembly, Stainless	118.000.163A	118.000.234	
32*	Key, Stainless	102.000.102	102.000.208	
38*	O-ring, Shaft, Buna	116.000.117	116.000.218	
	O-ring, Shaft, Viton	116.000.105	116.000.218A	
40*	Flinger, Stainless	104.000.165	104.000.200	
71	Adapter, Iron, JM140/180 1-1/2" Seal, with Brass plug	132.000.202X	--	
	Adapter, Iron, JM210 1-1/2" Seal, with Brass plug	132.000.213X	--	
	Adapter, Iron, JM250 1-3/4" Seal, with Brass plug	--	132.000.245X	
73*	Gasket, Case, Fiber	116.000.157	116.000.157	
		1 1/2"	1 3/4"	
	Seal, Type 21, BN-CARB/CM	101.000.168	101.000.196	
	Seal, Type 21, EPDM-CARB/SIL	101.000.175B	101.000.196B	
	Seal, Type 21, EPDM-SIL/SIL	101.000.204A	137.001.555	
	Seal, Type 21, VN-CARB/CM	101.000.191	101.000.216	
89*	Seal, Type 21, VN-CARB/SIL	101.000.175	101.000.221	
	Seal, Type 21, VN-SIL/SIL	101.000.204	101.000.231	
	89A*	Seal spring retainer, Stainless	104.000.174	Included w/seal
	KIT	Repair Kit, BN-CARB/CM Seal, Brz sleeve, BN O-ring	118.000.344	118.000.345
		Repair Kit, EPDM-CARB/SIL Seal, Brz sleeve, BN O-ring	118.000.344C	118.000.345F
Repair Kit, EPDM-SIL/SIL Seal, Brz sleeve, BN O-ring		118.000.344D	118.000.345G	
Repair Kit, VN-CARB/CM Seal, Brz sleeve, BN O-ring		118.000.344K	118.000.345E	
Repair Kit, VN-CARB/CM Seal, Stn sleeve, VN O-ring		118.000.344A	118.000.345A	
Repair Kit, VN-CARB/SIL Seal, Brz sleeve, BN O-ring		118.000.344B	118.000.345B	
Repair Kit, VN-SIL/SIL Seal, Stn sleeve, VN O-ring		118.000.344F	118.000.345C	

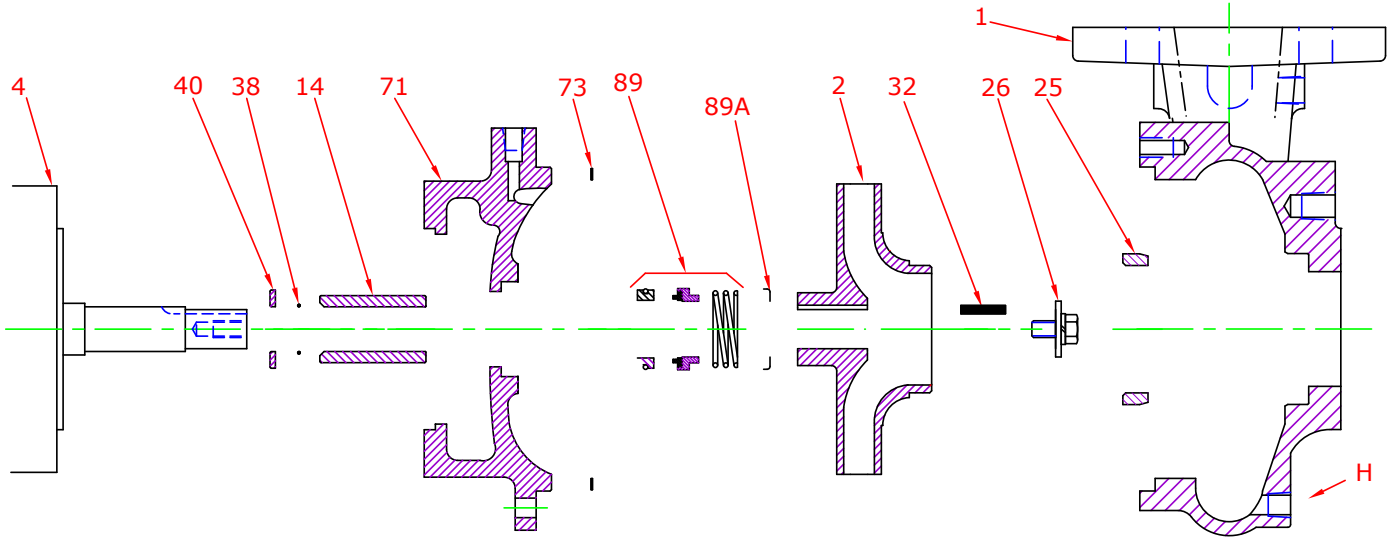
* Denotes components included in repair kit.

+ Includes bronze wear ring. For steel, replace suffix "X" with "X1".

Motor Charts



Construction Options



Construction Options				
Key	Part Name	Standard Fitted	Bronze Fitted	All Iron
1	Case	Iron	Iron	Iron
2	Impeller	Iron	Bronze	Iron
14	Shaft Sleeve	Bronze	Bronze	Stainless
25	Wear Ring	Bronze	Bronze	Steel
26	Impeller Retaining Assy	Stainless	Stainless	Stainless
32	Key	Stainless	Stainless	Stainless
38	Shaft O-Ring	Buna	Buna	Buna
40	Flinger	Stainless	Stainless	Stainless
71	Adapter	Iron	Iron	Iron
73	Gasket, Case	Fiber	Fiber	Fiber
89	Mechanical Seal, Type 21 BN-CM	Standard	Standard	Standard
89A*	Seal Spring Retainer	Stainless	Stainless	Stainless
H	Plug, Drain	Brass	Brass	Plated Steel

* Included with seal on 20-25 HP