

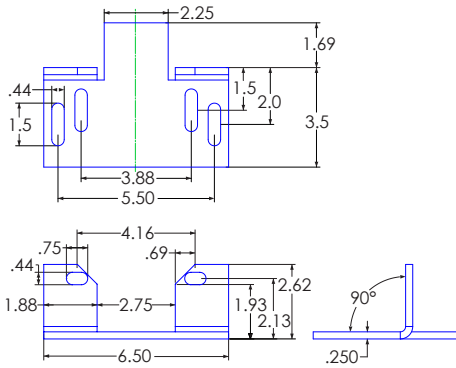


A WILO COMPANY

MOTORPUMP™ — 3500 RPM

Iron, 60 Hz, 1.5 X 1.5 X 4.38 NPT

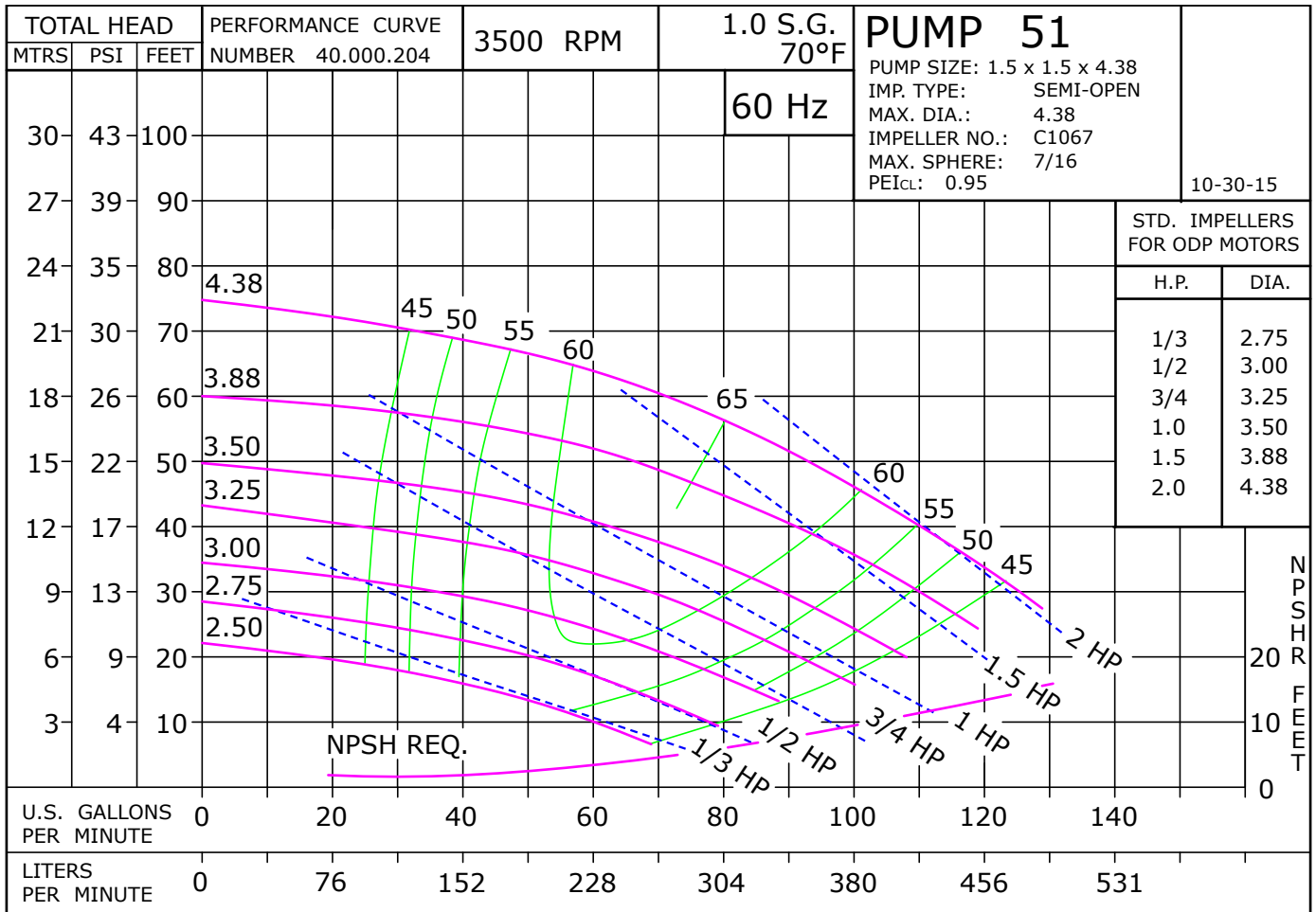
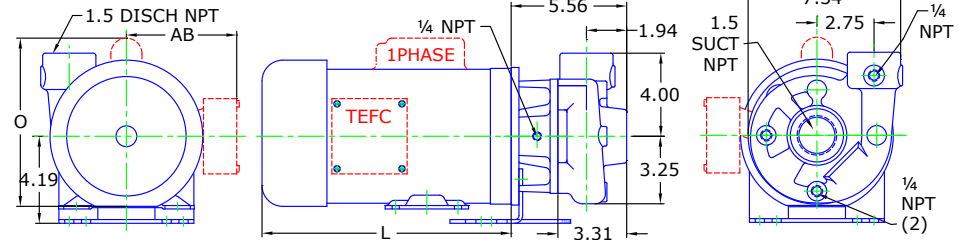
51 J56



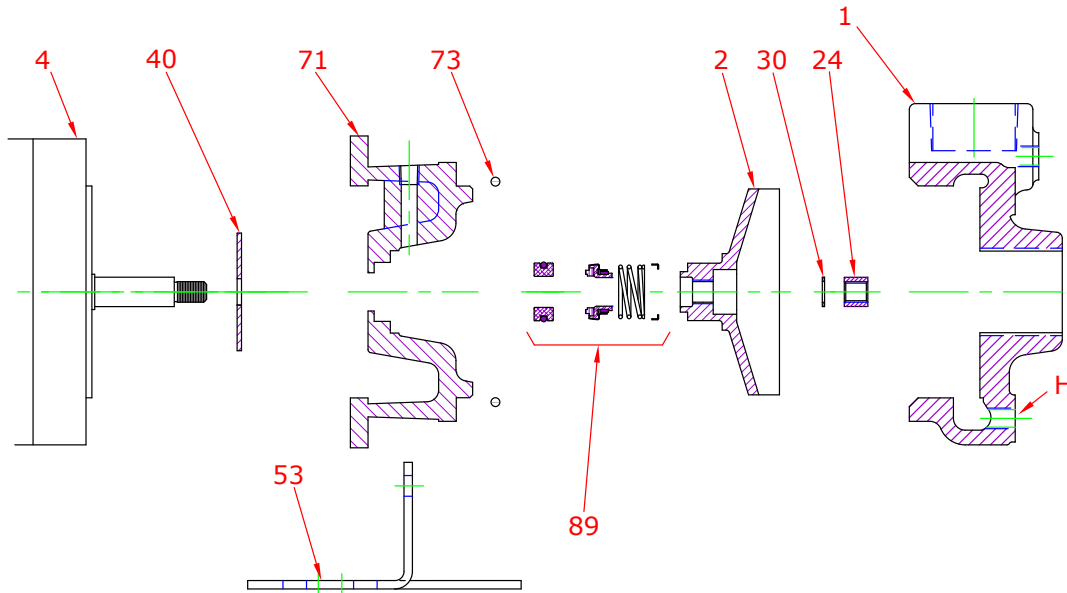
Motor Dimensions							
NEMA J56 Frame 3500 RPM							
HP	Type	3 Phase			1 Phase		
		L	O	AB	L	O	AB
0.50	ODP	8.26	6.46	3.32	9.06	8.37	3.25
0.75	ODP	8.65	6.46	3.32	9.56	8.37	3.25
1.0	ODP	8.65	6.46	3.32	9.81	8.37	3.25
1.5	ODP	9.04	6.46	3.32	10.31	8.37	3.25
2.0	ODP	9.44	6.46	3.32	10.31	8.37	3.25
0.50	TEFC	9.48	7.33	5.87	9.43	8.10	5.31
0.75	TEFC	9.48	7.33	5.87	9.43	8.10	5.31
1.0	TEFC	10.27	7.33	5.87	10.59	8.10	5.31
1.5	TEFC	11.06	7.33	5.87	10.59	8.10	5.31
2.0	TEFC	11.85	7.33	5.87	11.77	8.10	5.31

Motors are Standard Efficient with the exception of the 1-2 HP 3 phase TEFC, which are Premium Efficient.

DRAWING DEPICTS 56J 1PHASE MOTOR
ALL DIMENSIONS IN INCHES



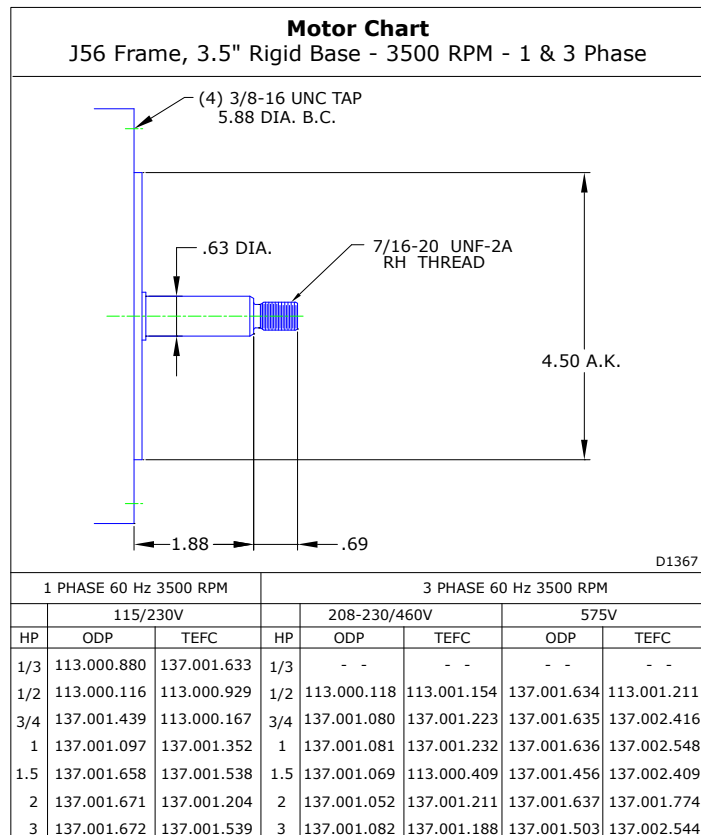
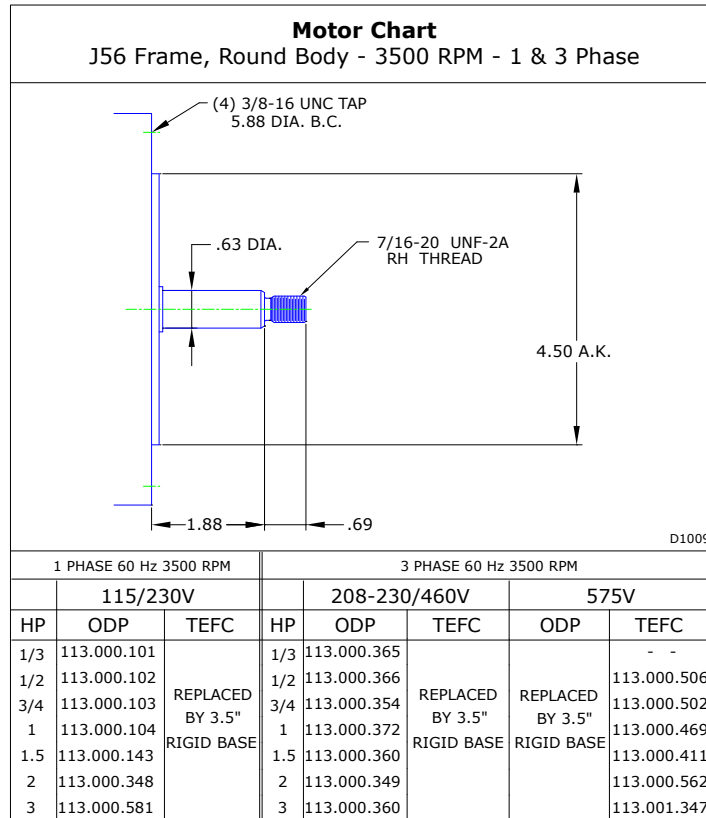
Parts



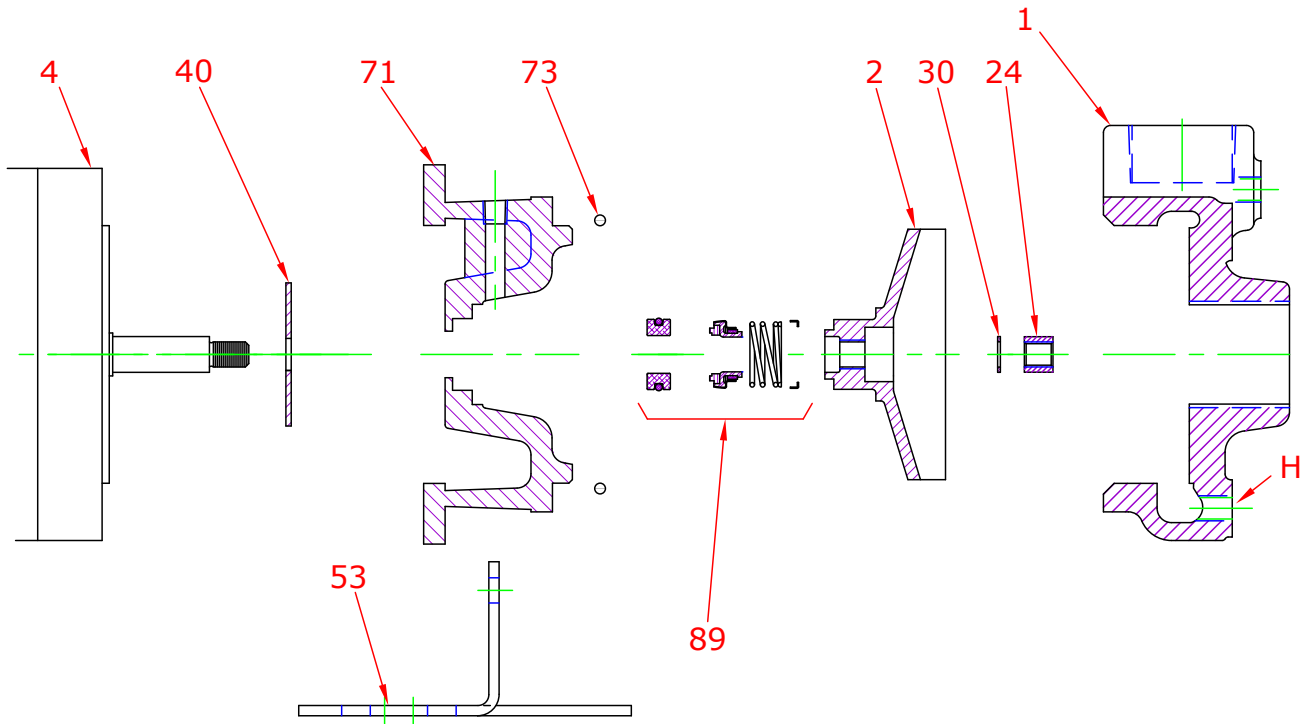
Key No.	Part Name	Part Number	
1	Case 51, Iron, 1.50 X 1.50 NPT Brass plugs	130.000.177X	
2	Impeller 51, Bronze, Specify Dia., 4.37 Max 7/16" Thrd	137.000.119	
	Impeller 51, Iron, Specify Dia., 4.37 Max, 7/16" Thrd	137.000.118	
4	Motor chart, J56 3.5" Rigid Base	See Chart	
	Motor chart, J56 Round Body	See Chart	
24*+	Nut, Stainless	105.000.465	
30*+	D Washer, Stainless	104.000.168	
40*	Flinger, Neoprene	104.000.171	
53	Base, Steel	119.000.231A	
71	Adapter, Iron, J56, 5/8" Seal, with Cad plug	132.000.207X	
73*	Gasket, Case, Buna	116.000.141	
89*	Seal, 5/8", Type 21, EPDM-CARB/CM, With retainer	101.000.327	
	Seal, 5/8", Type 21, EPDM-CARB/SIL, With retainer	101.000.173	
	Seal, 5/8", Type 21, EPDM-SIL/SIL, With retainer	101.000.236	
	Seal, 5/8", Type 21, VN-CARB/CM, With retainer	101.000.103	
	Seal, 5/8", Type 21, VN-CARB/SIL, With retainer	101.000.120	
	Seal, 5/8", Type 21, VN-SIL/SIL, With retainer	101.000.239	
	Seal, 5/8", Type 6, BN-CARB/CM, No retainer	101.000.110	
KIT		3 Phase:	1 Phase:
	Repair Kit, 5/8" BN-CARB/CM Seal	118.000.341	118.000.341.1
	Repair Kit, 5/8" EPDM-CARB/CM Seal	118.000.341G	118.000.341D.1
	Repair Kit, 5/8" EPDM-CARB/SIL Seal	118.000.341C	118.000.341G.1
	Repair Kit, 5/8" EPDM-SIL/SIL Seal	118.000.341D	118.000.341C.1
	Repair Kit, 5/8" VN-CARB/CM Seal	118.000.341A	118.000.341A.1
	Repair Kit, 5/8" VN-CARB/SIL Seal	118.000.341B	118.000.341B.1
	Repair Kit, 5/8" VN-SIL/SIL Seal	118.000.341F	118.000.341F.1

* Denotes components included in repair kit.
 + Not required on 1/3 to 1-1/2 HP 1 phase motors.
 Use 3 phase kits on 2-3 HP 1 phase motors.

Motor Charts



Construction Options



Construction Options				
Key	Part Name	Standard Fitted	Bronze Fitted	All Iron
1	Case	Iron	Iron	Iron
2	Impeller	Iron	Bronze	Iron
24	Impeller Locknut	Stainless	Stainless	Stainless
30	D-Washer	Stainless	Stainless	Stainless
40	Flinger	Neoprene	Neoprene	Neoprene
53	Base	Steel	Steel	Steel
71	Adapter	Iron	Iron	Iron
73	Gasket, Case	Buna	Buna	Buna
89	Mechanical Seal, Type 6 BN-CM	Standard	Standard	Standard
H	Plug, Drain	Brass	Brass	Plated Steel