

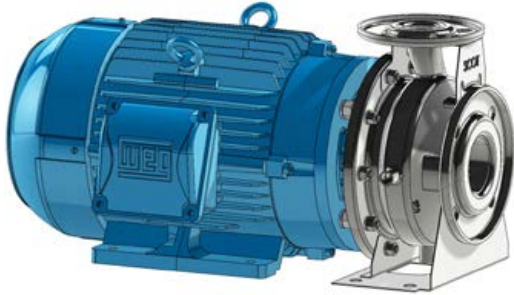


A WILO COMPANY

MOTORPUMP™ — 3500 RPM

304SS, 60 Hz, 2.5 X 1.5 X 6.65 FLG

324 JM

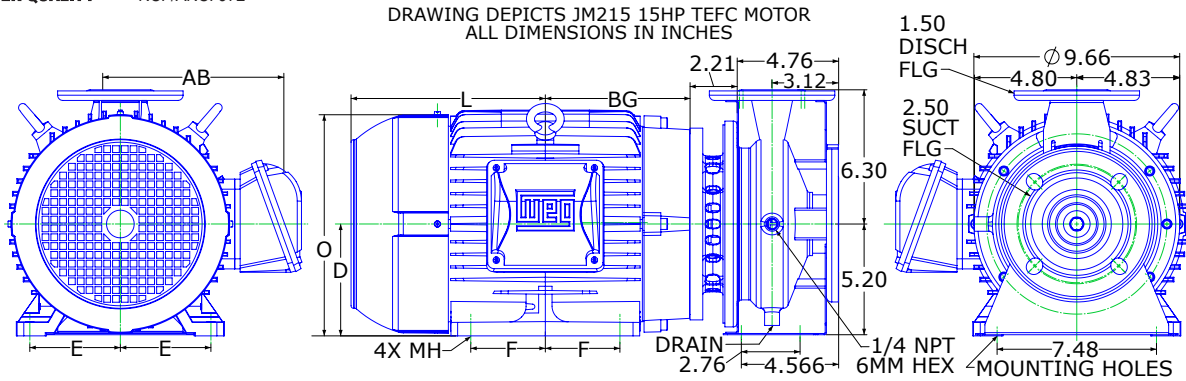


*Pump to be installed only in the horizontal position as shown.



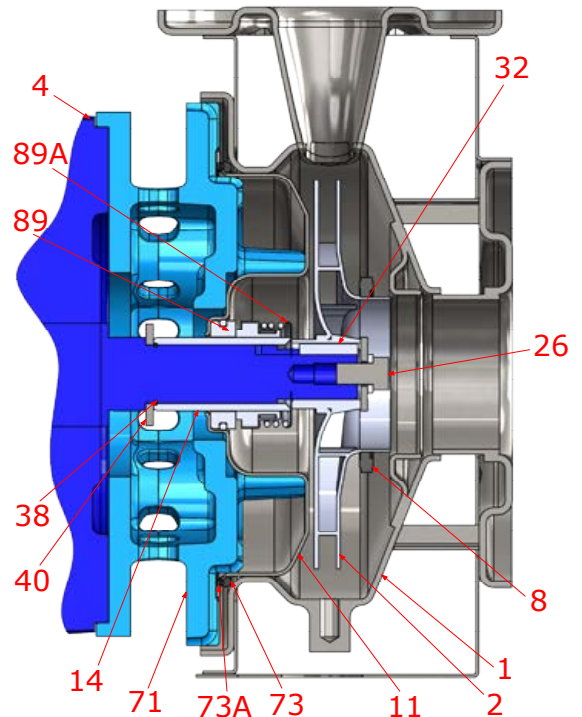
Drinking Water System Component
NSF/ANSI 61
ALSO CLFD IN ACCORDANCE WITH NSF/ANSI 372

| Motor Dimensions | | | | | | | | | | |
|------------------|-------------------|----------|------------------|------|------|-------|------|------|------|------|
| NEMA | Premium Efficient | JM Frame | 3 Phase 3500 RPM | | | | | | | |
| HP | Type | Frame | D | E | F | O | AB | BG | L | MH |
| 7.5 | ODP | JM184 | 4.50 | 3.75 | 2.25 | 8.44 | 6.74 | 5.75 | 6.56 | 0.41 |
| 10 | ODP | JM213 | 5.25 | 4.25 | 2.75 | 10.03 | 7.92 | 7.00 | 6.94 | 0.43 |
| 15 | ODP | JM215 | 5.25 | 4.25 | 3.50 | 10.03 | 7.92 | 7.75 | 6.19 | 0.43 |
| 7.5 | TEFC | JM184 | 4.50 | 3.75 | 2.75 | 9.34 | 7.57 | 5.51 | 7.64 | 0.41 |
| 10, 15 | TEFC | JM215 | 5.25 | 4.25 | 3.50 | 10.37 | 8.19 | 6.77 | 9.16 | 0.41 |



Construction Options

| Key | Part Name | Standard Fitted |
|-----|-----------------------------|-----------------|
| 1 | Case | 304SS |
| 2 | Impeller | 304SS |
| 8 | Impeller Ring | PPO-20 |
| 11 | Cover | 304SS |
| 14 | Sleeve | 304SS |
| 26 | Impeller Retaining Assembly | 304SS |
| 32 | Key | 303SS |
| 38 | Gasket Shaft | Buna |
| 40 | Flinger | 304SS |
| 71 | Motor Disc | Iron |
| 73 | Gasket, Case | Buna |
| 73A | Gasket, Cover | Buna |
| 89 | Seal Assembly BN-CARB/CM | Standard |
| 89A | Seal Spring Retainer | 304SS |



324ASSY

D324JM14-18

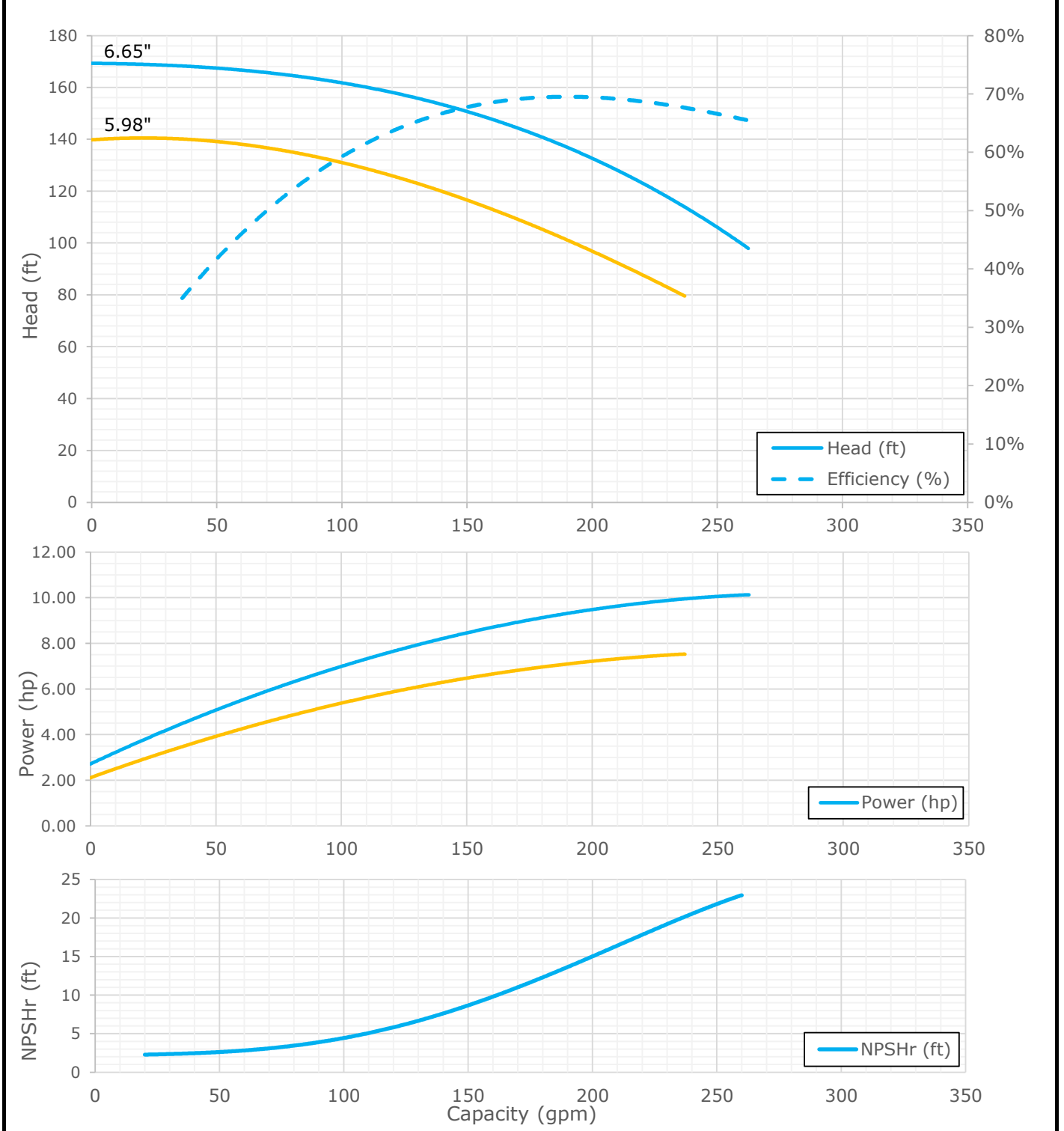
3243500JM

G21

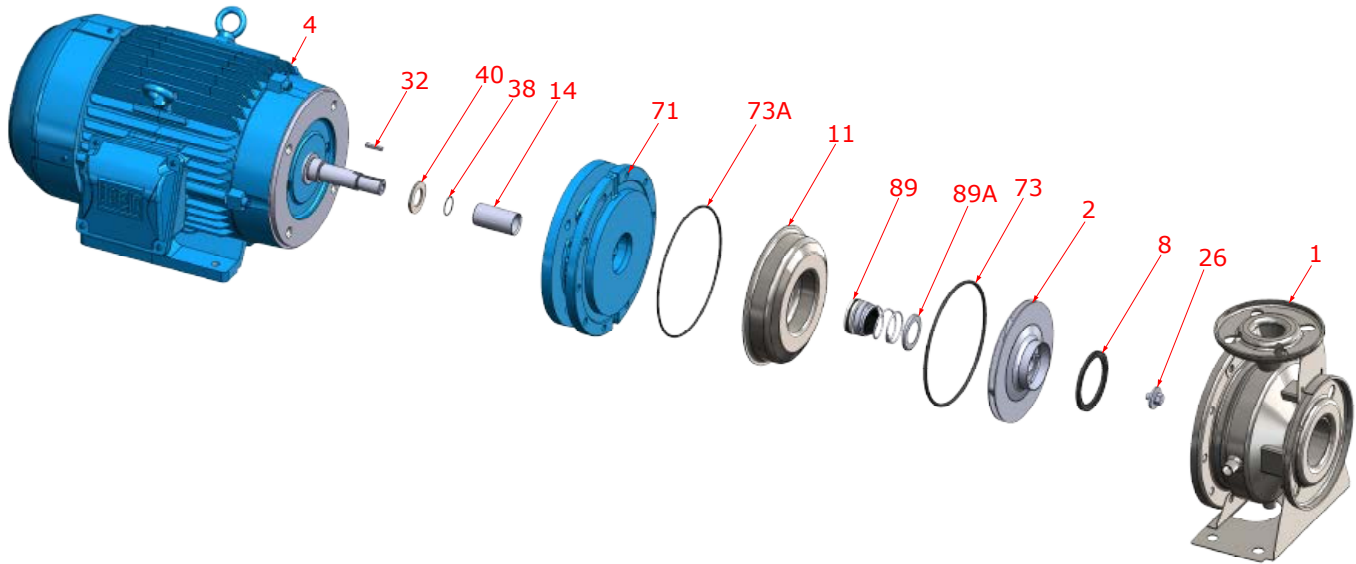
Scot Pump, A Wilo Company
+1-262-377-7000
scot.sales@wilo.com

Performance Curve

| | | | | | |
|--------------------------------------|------------------------------|----------------------|---------------------------------|-------------------|---|
| Performance Curve Number: 40.000.732 | Pump 324 2.5 X 1.5 X 6.65 | 1.00 S.G. 70.0 °F | Imp. Type: Enclosed 7/6/2021 | 3500 RPM 60 Hz | Max Sphere: 0.31" PEI _{CL} 0.97 |
|--------------------------------------|------------------------------|----------------------|---------------------------------|-------------------|---|



Parts



| Key No. | Part Name | Part Number |
|---------|--|---------------|
| 1 | Case 324, Stainless, 2.50 X 1.50 FLG | 137.002.959.4 |
| 2 | Impeller 324, Stainless, 5.98 Dia., 7/8" Key | 137.002.933 |
| | Impeller 324, Stainless, 6.65 Dia., 7/8" Key | 137.002.934 |
| 4 | Motor chart, JM140/180 3500 rpm | See Chart |
| | Motor chart, JM210 3500 rpm | See Chart |
| 8 | Ring Impeller PPO-20 | 137.002.929 |
| 11 | Cover, Stainless | 137.002.911 |
| 14* | Sleeve, Stainless | 137.002.912 |
| 26* | Impeller retaining assembly, Stainless | 118.000.111A |
| 32* | Key, Stainless | 102.000.102 |
| 38* | O-ring, Shaft, Buna | 116.000.117 |
| 40* | Flinger, Stainless | 104.000.165 |
| 71 | Adapter, Iron, JM140/180 1-1/4" Seal | 137.002.910 |
| | Adapter, Iron, JM210 1-1/4" Seal | 137.002.935 |
| 73* | O-ring, Shaft, Buna | 137.002.913 |
| 73A* | O-ring, Cover, Buna | 137.003.012 |
| 89* | Seal, 1-1/4" Type 21, BN-CARB/CM | 137.002.949 |
| | Seal, 1-1/4" Type 21, EPDM-CARB/SIL | 137.002.951 |
| | Seal, 1-1/4" Type 21, VN-CARB/CM | 137.002.950 |
| | Seal, 1-1/4" Type 21, VN-CARB/SIL | 137.002.952 |
| | Seal, 1-1/4" Type 21, VN-SIL/SIL | 137.002.953 |
| 89A* | Seal spring retainer, Stainless | 137.002.948 |
| KIT | Repair Kit, 1-1/4" BN-CARB/CM Seal, BN O-ring | 118.000.674 |
| | Repair Kit, 1-1/4" EPDM-CARB/SIL Seal, BN O-ring | 118.000.674C |
| | Repair Kit, 1-1/4" VN-CARB/CM Seal, BN O-ring | 118.000.674A |
| | Repair Kit, 1-1/4" VN-CARB/SIL Seal, BN O-ring | 118.000.674D |
| | Repair Kit, 1-1/4" VN-SIL/SIL Seal, BN O-ring | 118.000.674B |

* Denotes components included in repair kit

Motor Charts

