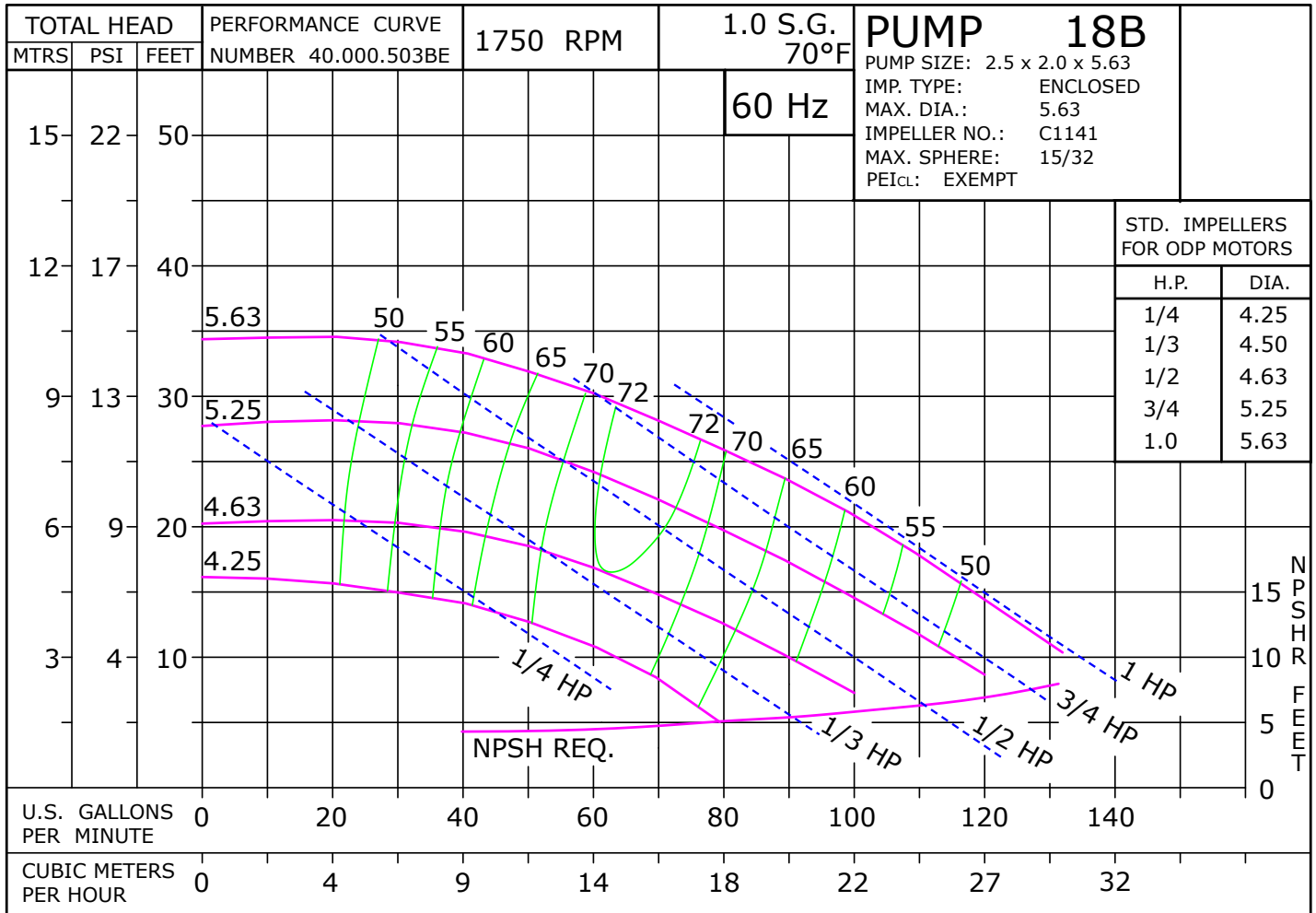
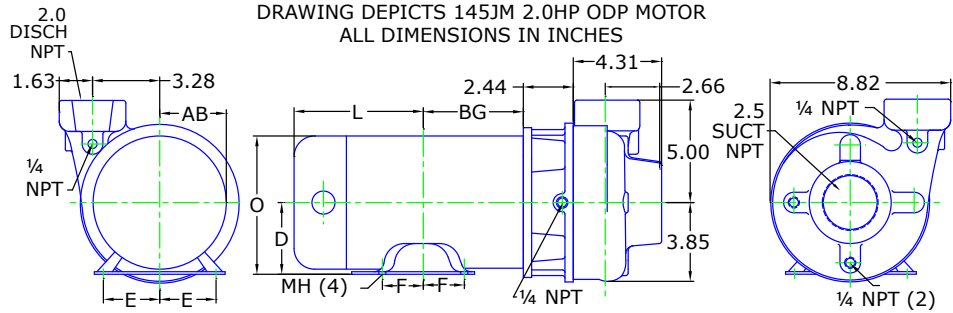


MOTOR DIMENSIONS

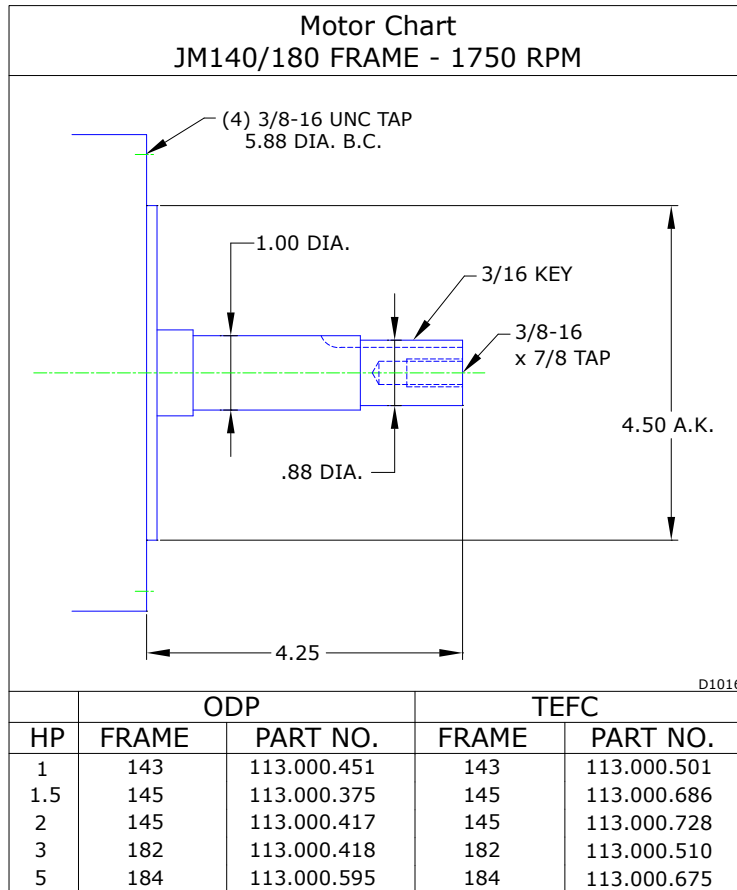
NEMA JM FRAME 3 PHASE 1750 RPM

HP	Type	Frame	D	E	F	O	AB	BG	L	MH
1	ODP	JM143	3.50	2.75	2.00	6.72	5.87	4.75	4.70	0.34
1	TEFC	JM143	3.50	2.75	2.00	7.00	6.25	4.57	5.84	0.34

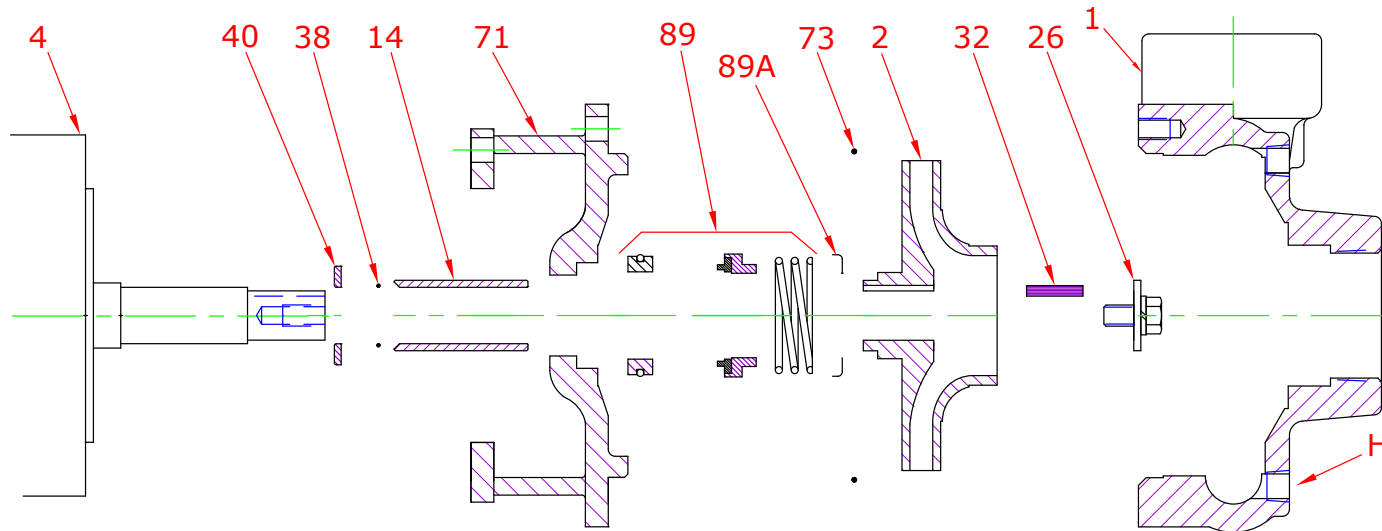
See C56 frame for 1/2, 3/4 HP



Motor Charts



Construction Options



Construction Options		
Key No.	Part Name	All Bronze
1	Case	Bronze
2	Impeller	Bronze
14	Shaft Sleeve	Bronze
26	Impeller Retaining Assembly	Stainless
32	Key	Stainless
38	Shaft O-Ring	Buna
40	Flinger	Stainless
71	Adapter	Bronze
73	Gasket, Case	Buna
89	Mechanical Seal, Type 21, BN-CARB/CM	Standard
89A	Seal Spring Retainer	Stainless
H	Plug, Drain	Brass