



A WILO COMPANY

MOTORPUMP™ — 1750 RPM

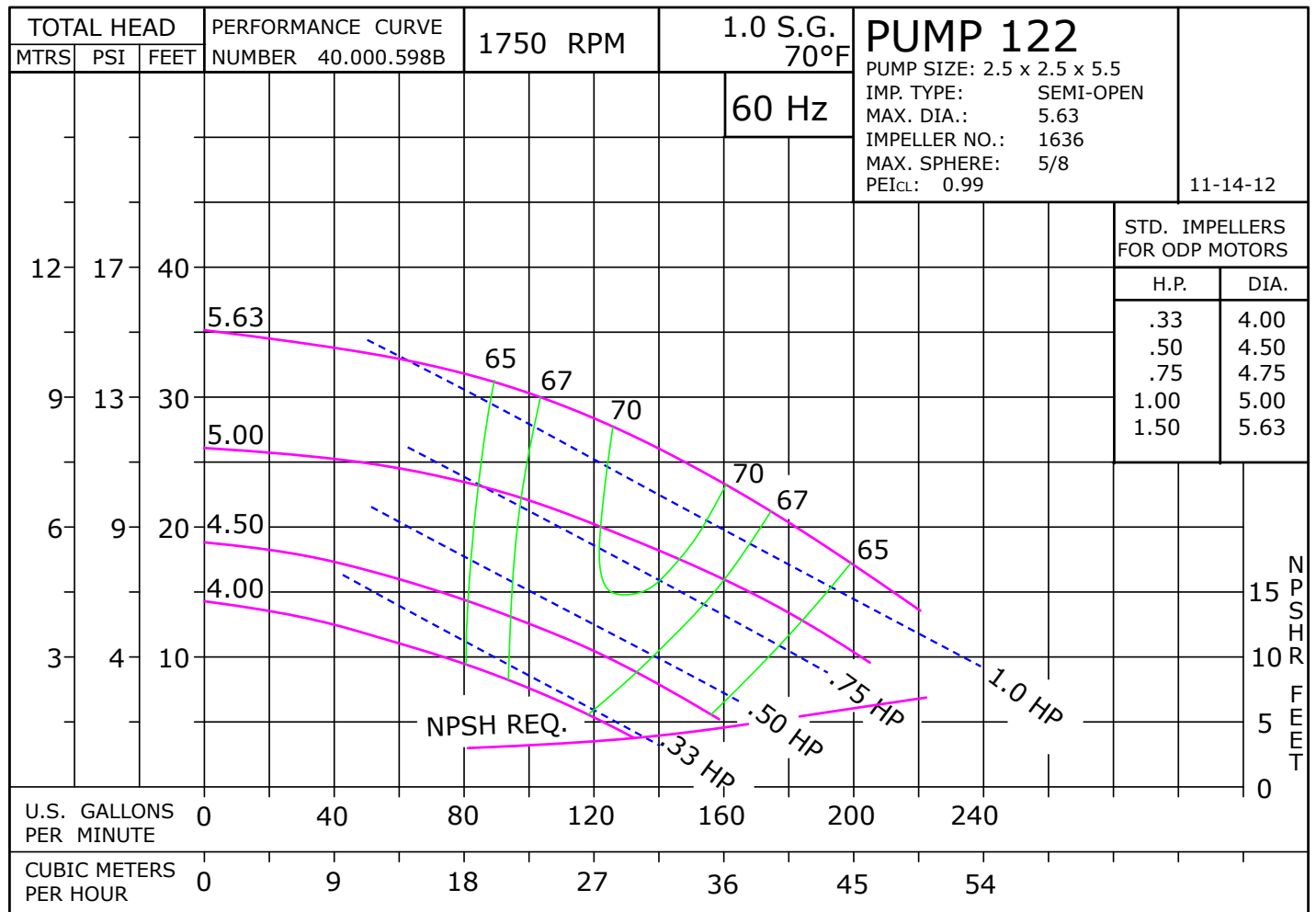
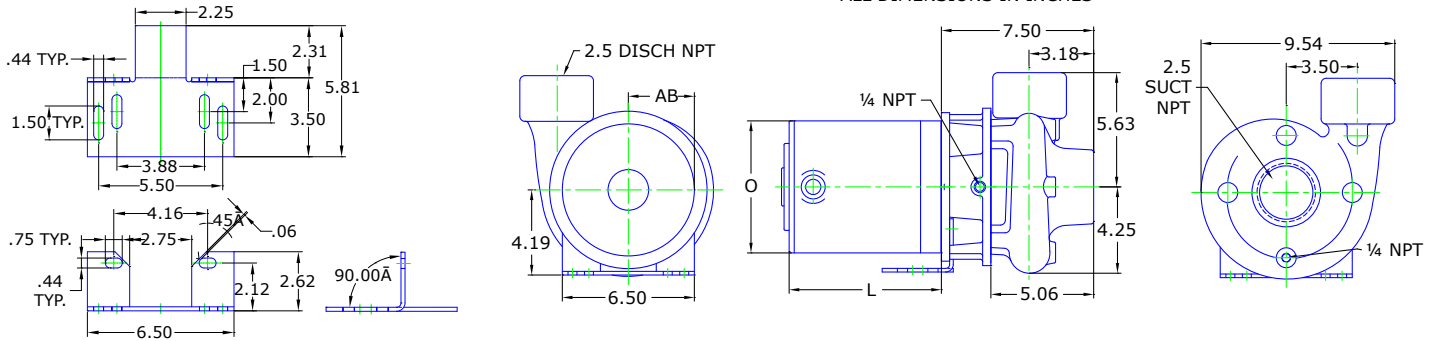
Bronze, 60 Hz, 2.5 X 2.5 X 5.63 NPT

122 C56

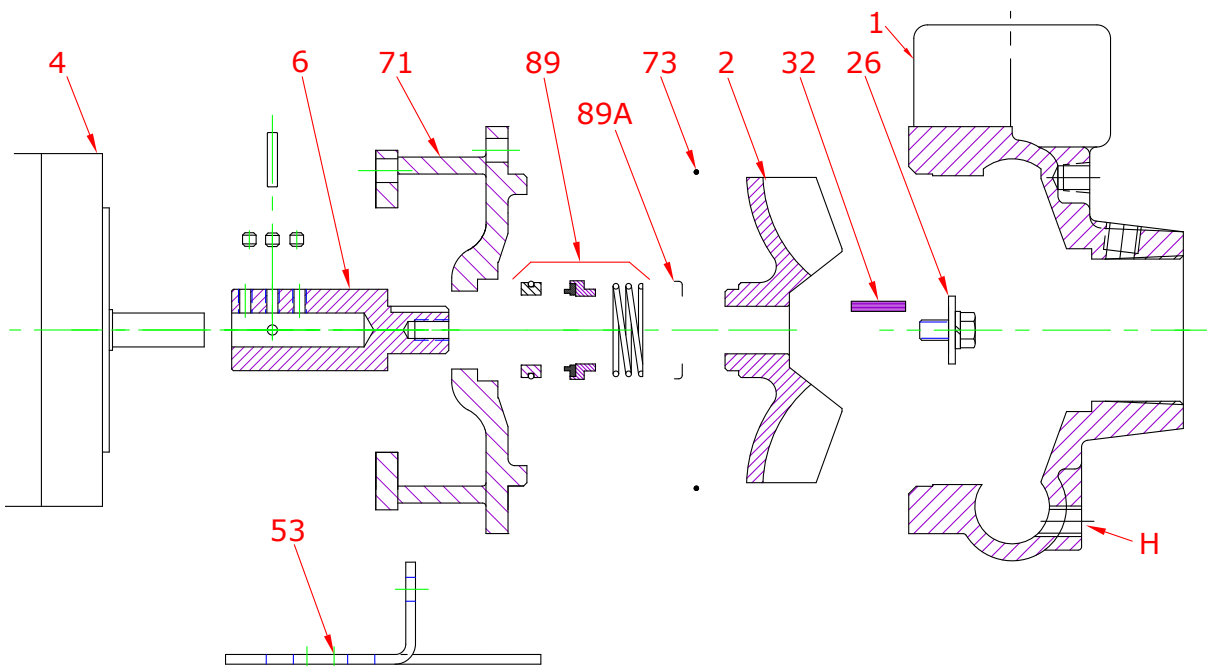


MOTOR DIMENSIONS NEMA C56 FRAME 1750 RPM							
HP	FRAME	ODP			TEFC		
		L	O	AB	L	O	AB
0.5	C56	9.16	6.19	5.06	9.48	7.25	5.88
0.75	C56	9.78	6.19	5.06	9.87	7.25	5.88

DRAWING DEPICTS 56C ODP MOTOR
ALL DIMENSIONS IN INCHES



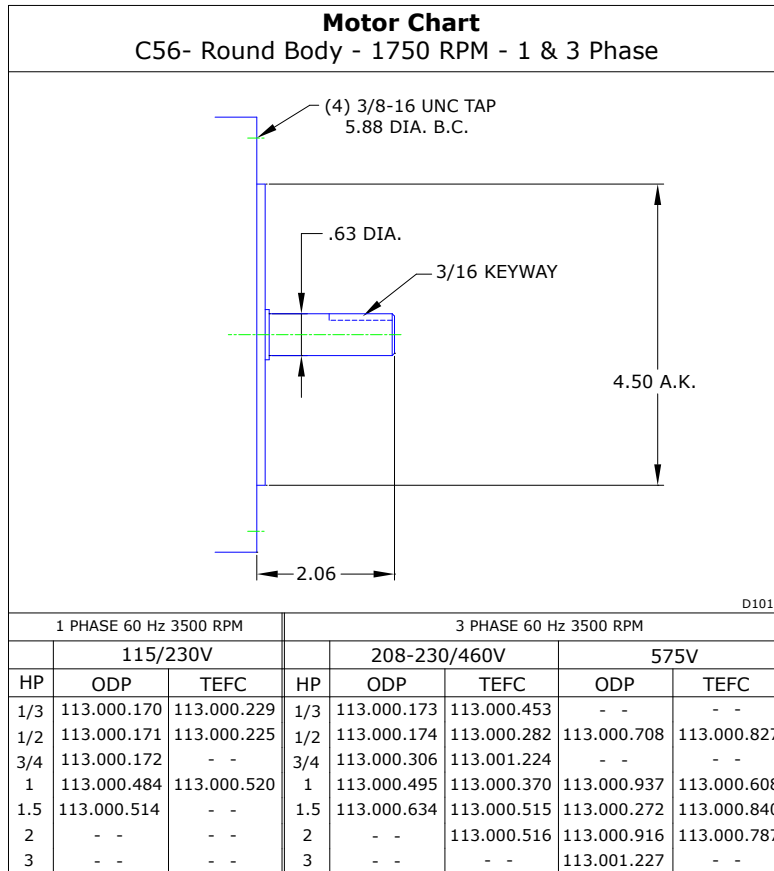
Parts



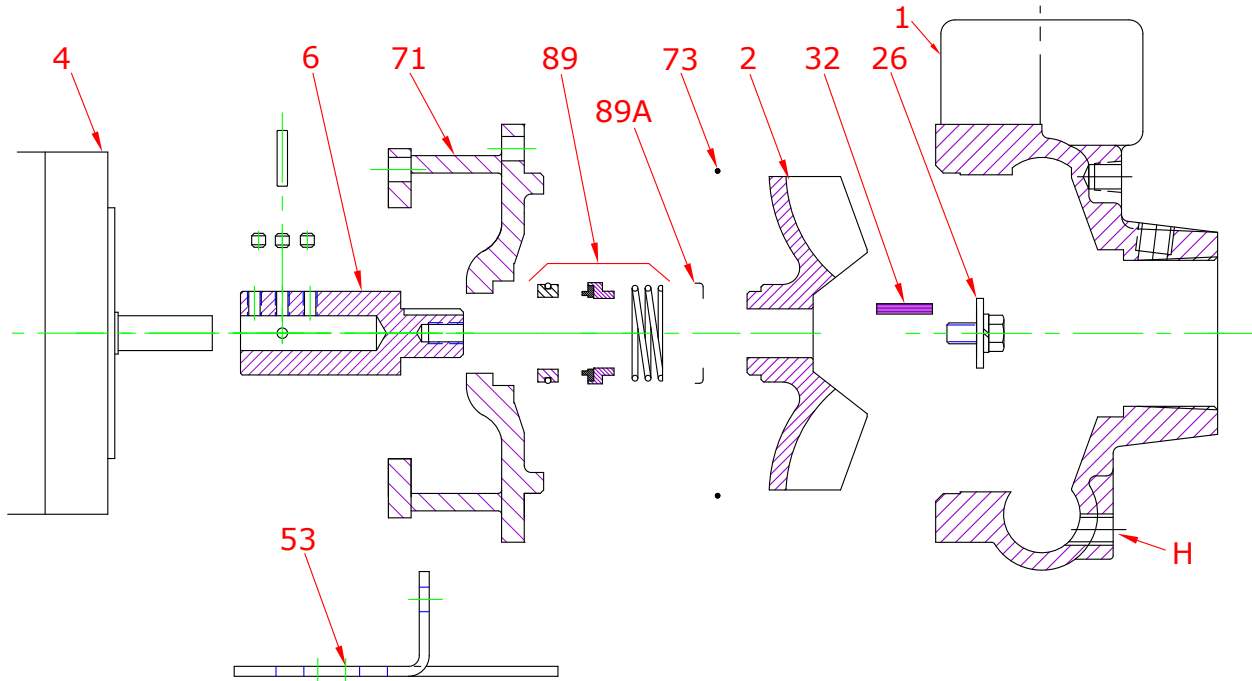
Key No.	Part Name	Part Number
1	Case 121/122, Bronze, 2.50 X 2.50 NPT Brass plug	130.000.274X
2	Impeller 25/122, Bronze, Specify Dia., 5.62 Max 7/8" Key	131.000.807
4	Motor chart, C56	See Chart
6*	Stub Shaft Ass'y Stainless, includes set screws and pin	135.000.174X
	Stub Shaft Ass'y, Brass, includes set screws and pin	135.000.165X
26*	Impeller retaining assembly, Stainless	118.000.111A
32*	Key, Stainless	102.000.102
53	Base, Steel	119.000.237A
71	Adapter, Bronze, JM140/180 1-1/2" Seal, with Brass plug	132.000.219X
73*	Gasket, Case, Buna	116.000.146
89*	Seal, 1-1/2", Type 21, BN-CARB/CM	101.000.168
	Seal, 1-1/2", Type 21, EPDM-CARB/SIL	101.000.175B
	Seal, 1-1/2", Type 21, EPDM-SIL/SIL	101.000.204A
	Seal, 1-1/2", Type 21, VN-CARB/CM	101.000.191
	Seal, 1-1/2", Type 21, VN-CARB/SIL	101.000.175
	Seal, 1-1/2", Type 21, VN-SIL/SIL	101.000.204
89A*	Seal spring retainer, Stainless	104.000.202
KIT	Repair Kit, 1-1/2" BN-CARB/CM Seal, Brz stub	118.000.621
	Repair Kit, 1-1/2" EPDM-CARB/SIL Seal, Brz stub	118.000.621C
	Repair Kit, 1-1/2" EPDM-SIL/SIL Seal, Brz stub	118.000.621E
	Repair Kit, 1-1/2" VN-CARB/CM Seal, Stn stub	118.000.621A
	Repair Kit, 1-1/2" VN-CARB/SIL Seal, Brz stub	118.000.621B
	Repair Kit, 1-1/2" VN-SIL/SIL Seal, Stn stub	118.000.621D

* Denotes components included in repair kit.

Motor Charts



Construction Options



Construction Options		
Key No.	Part Name	All Bronze
1	Case	Bronze
2	Impeller	Bronze
6	Shaft Stub	Bronze
26	Impeller Retaining Assembly	Stainless
32	Key	Stainless
53	Base	Steel
71	Adapter	Bronze
73	Gasket, Case	Buna
89	Mechanical Seal, Type 21, BN-CARB/CM	Standard
89A	Seal Spring Retainer	Stainless
H	Plug, Drain	Brass