



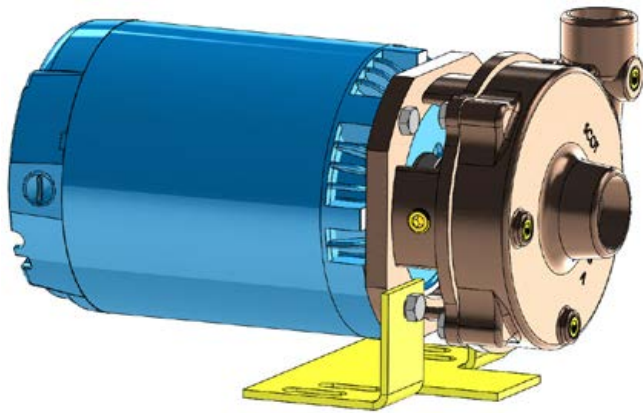
A WILO BRAND

# MOTORPUMP™ — 3500 RPM

Bronze, 60 Hz, 1.25 X 1 X 5.63 NPT

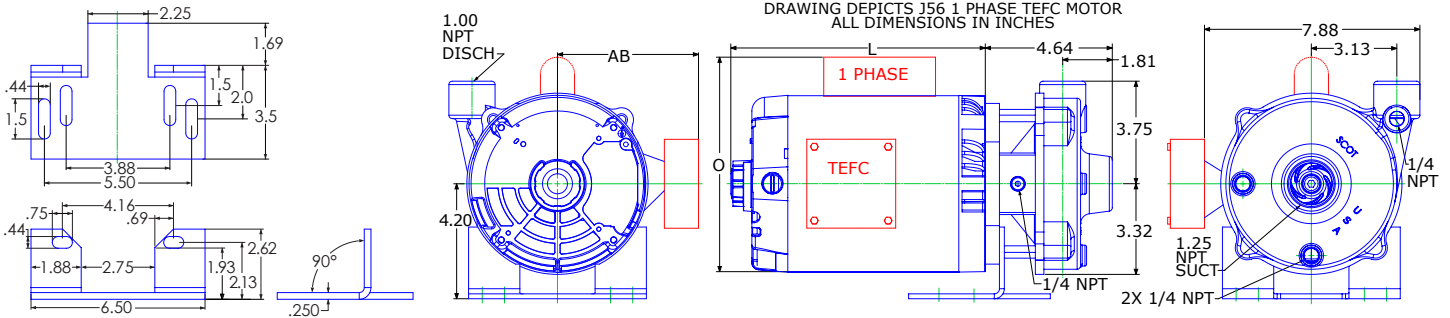
# 11BD

## J56



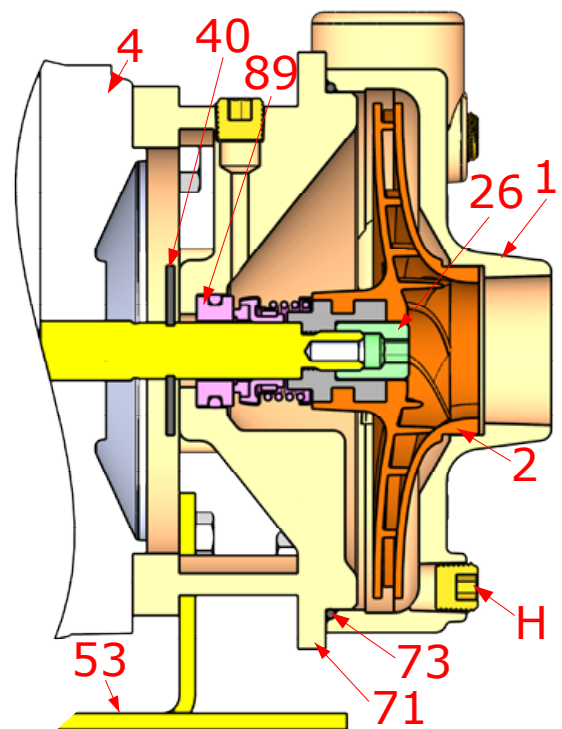
Motor Dimensions								
NEMA J56 Frame 3500 RPM								
HP	Type	3 Phase			1 Phase			
		L	O	AB	L	O	AB	
0.50	ODP	8.26	6.46	3.32	9.06	8.37	3.25	
0.75	ODP	8.65	6.46	3.32	9.56	8.37	3.25	
1.0	ODP	8.65	6.46	3.32	9.81	8.37	3.25	
1.5	ODP	9.04	6.46	3.32	10.31	8.37	3.25	
2.0	ODP	9.44	6.46	3.32	10.31	8.37	3.25	
0.5, 0.75	TEFC	9.48	7.33	5.87	9.43	8.10	5.31	
1.0	TEFC	10.27	7.33	5.87	10.59	8.10	5.31	
1.5	TEFC	11.06	7.33	5.87	10.59	8.10	5.31	
2.0	TEFC	11.85	7.33	5.87	11.77	8.10	5.31	

Motors are Standard Efficient except the 1-2 HP 3 ph TEFC, which are Premium Efficient.



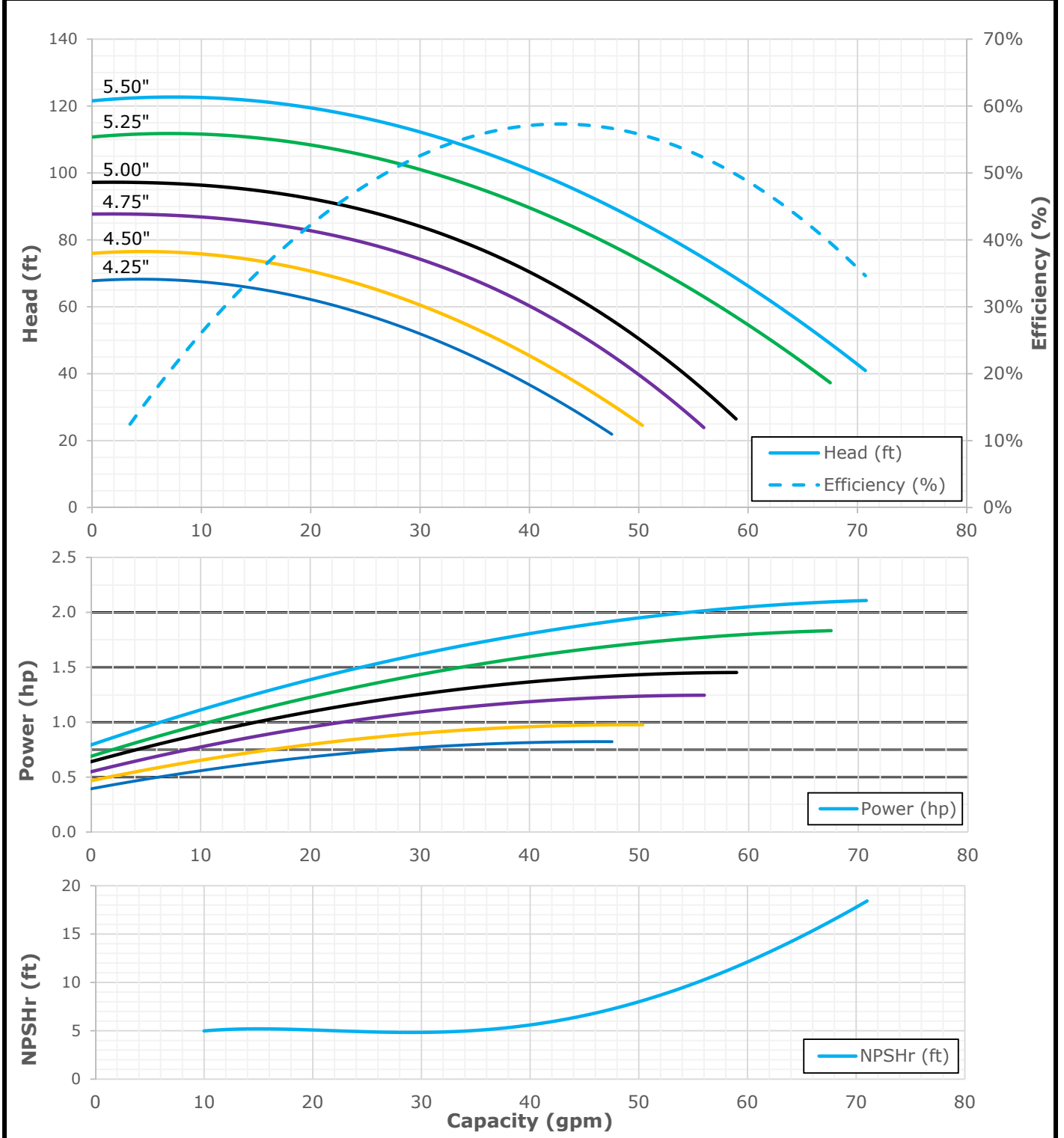
### Construction Options

Key	Part Name	All Bronze
1	Case	Bronze
2	Impeller	PPS GF
26	Impeller Locknut, Socket Head	Stainless
40	Flinger	Neoprene
53	Base	Steel
71	Adapter	Bronze
73	Gasket, Case	Buna
89	Mechanical Seal, Type 21, BN-CARB/CM	Standard
H	Plug, Drain	Brass

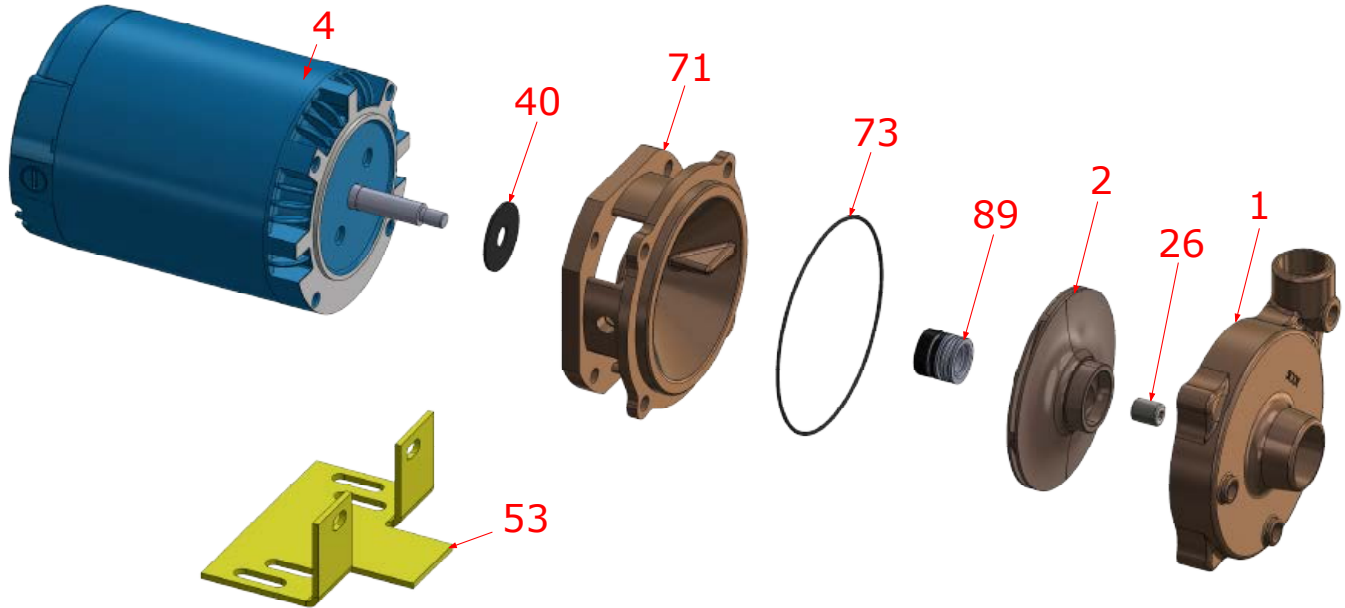


## Performance Curve

Performance Curve	Pump <b>11BD</b>	1.00 S.G.	Imp. Type: Enclosed	3500 RPM	Max Sphere: 1/8"
Number: 40.000.805	1.25 X 1.0 X 5.5	70.0 °F	3/20/2020	60 Hz	PEI <sub>CL</sub> 0.85



## Parts



Key	Part Name	Part Number	
1	Case 11BD, Bronze, 1.25 X 1.00 NPT Brass plugs	137.003.155X	
2	Impeller, 11BD PPS-GF, Specify Dia., 5.50 Max, 7/16" Thrd	3301155	
4	Motor chart, J56 3.5" Rigid Base	See Chart	
	Motor chart, J56 Round Body	See Chart	
26*+	Locknut, Stainless, Socket Head	110.000.190	
40*	Flinger, Neoprene	104.000.171	
53	Base, Steel	119.000.231A	
71	Adapter, Bronze, J56 5/8" Seal, with Brass plug	3301163X	
73*	Gasket, Case, Buna	116.000.146	
89*	Seal, 5/8", Type 21, EPDM-CARB/CM, With retainer	101.000.327	
	Seal, 5/8", Type 21, EPDM-CARB/SIL, With retainer	101.000.173	
	Seal, 5/8", Type 21, EPDM-SIL/SIL, With retainer	101.000.236	
	Seal, 5/8", Type 21, VN-CARB/CM, With retainer	101.000.103	
	Seal, 5/8", Type 21, VN-CARB/SIL, With retainer	101.000.120	
	Seal, 5/8", Type 21, VN-SIL/SIL, With retainer	101.000.239	
	Seal, 5/8", Type 21, BN-CARB/CM, With retainer	137.001.150	
KIT		<b>3 Phase:</b>	<b>1 Phase:</b>
	Repair Kit, 5/8" BN-CARB/CM Seal	118.000.697	118.000.697.1
	Repair Kit, 5/8" EPDM-CARB/CM Seal	118.000.697R	118.000.697R.1
	Repair Kit, 5/8" EPDM-CARB/SIL Seal	118.000.697C	118.000.697C.1
	Repair Kit, 5/8" EPDM-SIL/SIL Seal	118.000.697D	118.000.697D.1
	Repair Kit, 5/8" VN-CARB/CM Seal	118.000.697A	118.000.697A.1
	Repair Kit, 5/8" VN-CARB/SIL Seal	118.000.697B	118.000.697B.1
Repair Kit, 5/8" VN-SIL/SIL Seal	118.000.697J	118.000.697J.1	

\* Denotes components included in repair kit.

+ Not required on 1/3 to 1-1/2 HP 1 phase motors.

Use 3 phase kits on 2-3 HP 1 phase motors

### Motor Charts

