

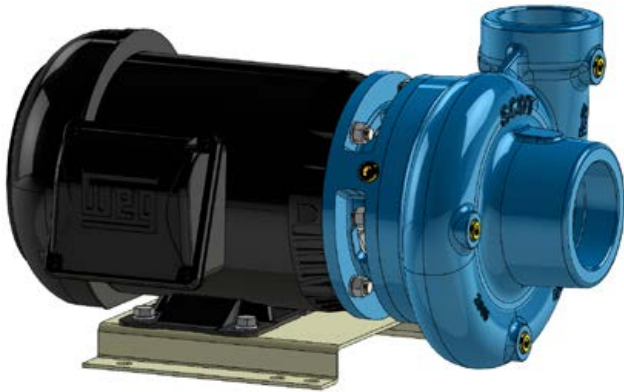


A WILO COMPANY

MOTORPUMP™ — 3500 RPM

Iron, 60 Hz, 2.5 X 2 X 4.75 NPT

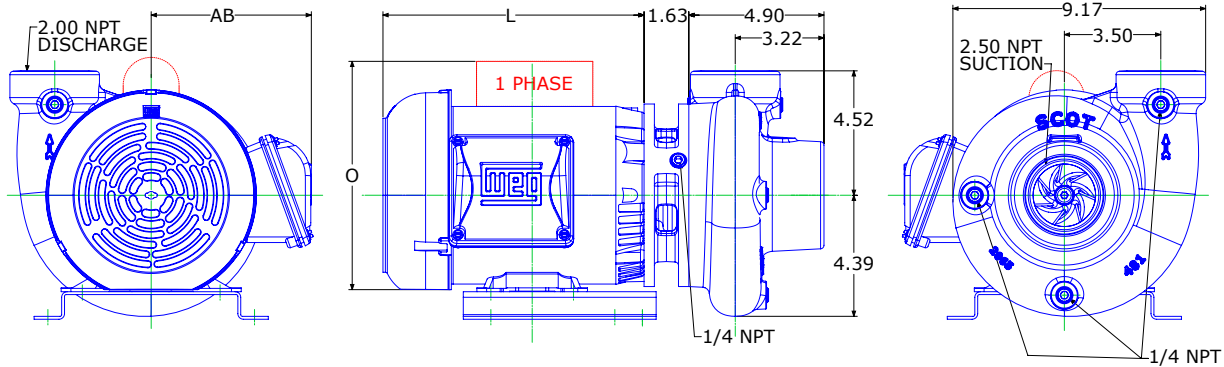
481 J56



Motor Dimensions							
NEMA J56 Frame 3500 RPM							
HP	Type	3 Phase			1 Phase		
		L	O	AB	L	O	AB
2.0	ODP	9.44	6.46	3.32	10.31	8.37	3.25
3.0	ODP	10.22	6.46	3.32	10.84	8.37	3.25
5.0	ODP	12.19	6.72	3.23	-	-	-
2.0	TEFC	11.85	7.33	5.87	11.77	8.10	5.31
3.0	TEFC	13.03	7.33	5.87	12.16	8.10	5.31
5.0	TEFC	15.37	9.22	6.70	-	-	-

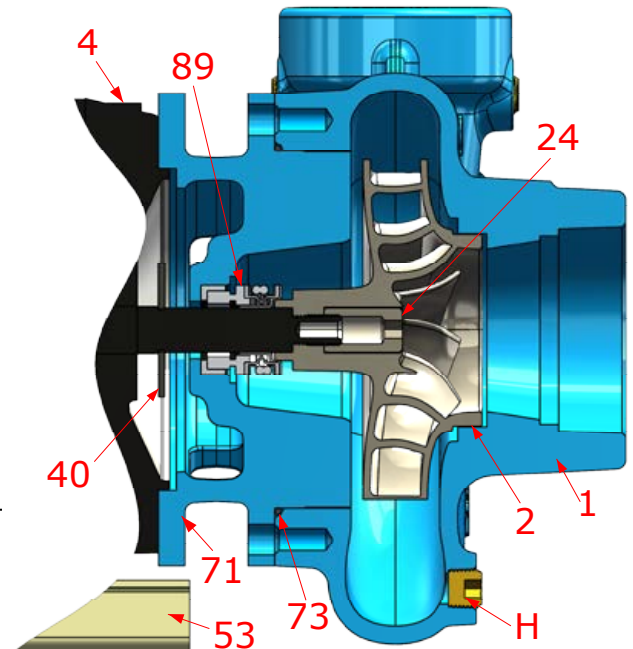
Motors are Standard Efficient with the exception of the 1-2 HP 3 phase TEFC, which are Premium Efficient.

Note: 5HP suction height is 4.50"



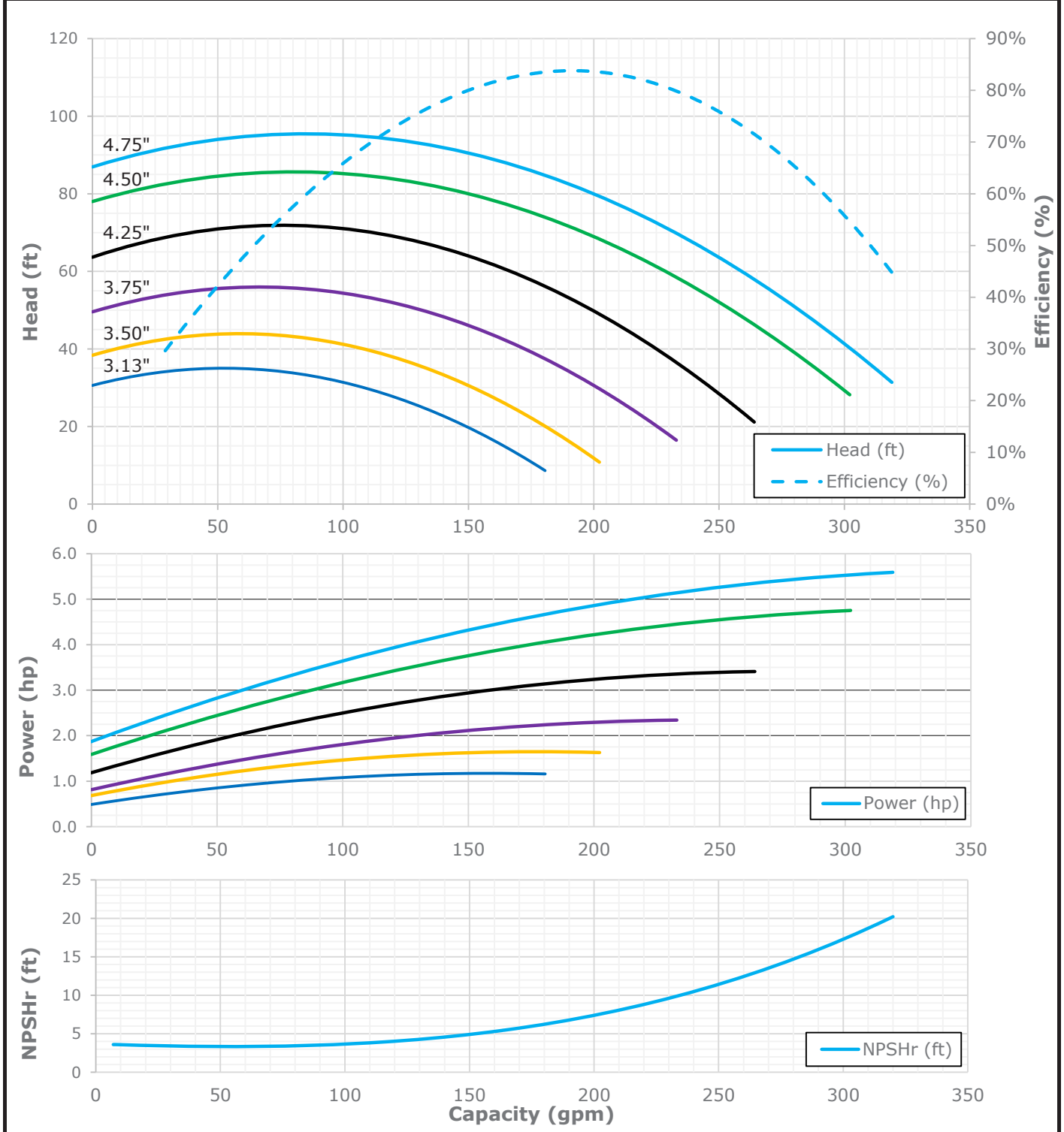
Construction Options

Key	Part Name	Standard Fitted	All Iron
1	Case	Iron	Ductile Iron
2	Impeller	304SS	304SS
24	Impeller Locknut	Stainless	Stainless
40	Flinger	Neoprene	Neoprene
53	Base	Steel	Steel
71	Adapter	Iron	Ductile Iron
73	Gasket, Case	Buna	Buna
89	Mechanical Seal, Type 6 BN-CM	Standard	Standard
H	Plug, Drain	Brass	Plated Steel

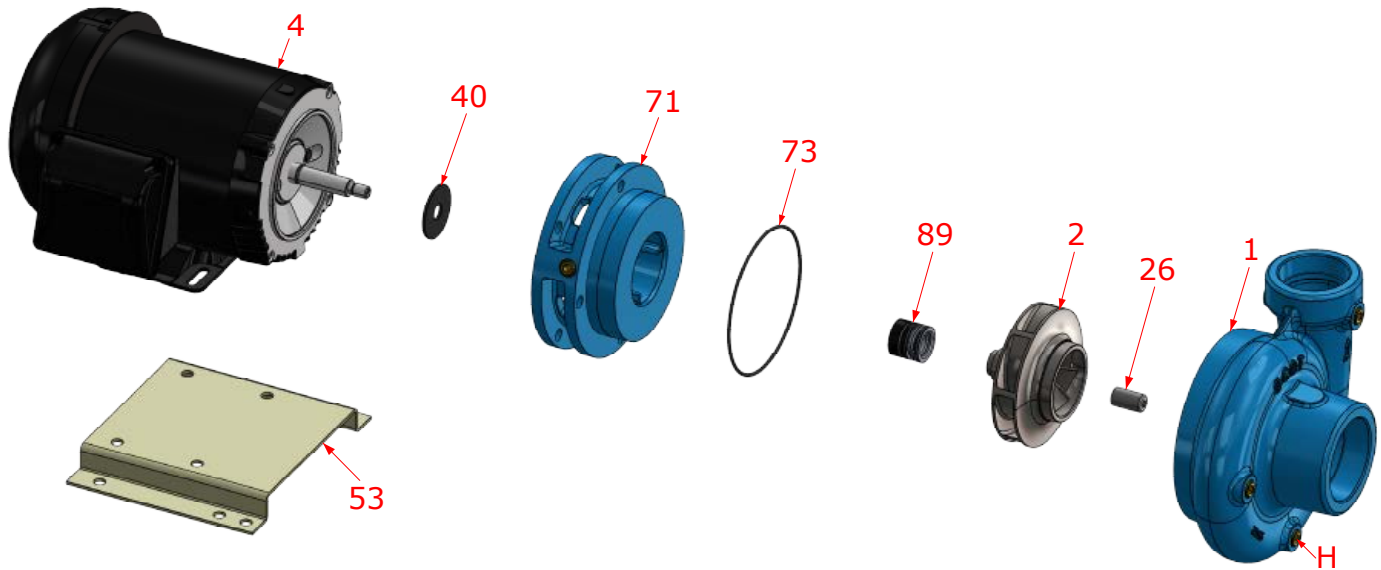


Performance Curve

Performance Curve Number: 40.000.803	Pump 481 2.5 X 2.0 X 4.75	1.00 S.G. 70.0 °F	Imp. Type: Enclosed 8/24/2020	3500 RPM 60 Hz	Max Sphere: 11/32" PEI _{CL} 0.88
--------------------------------------	-------------------------------------	----------------------	----------------------------------	-------------------	----------------------------------------------



Parts



Key	Part Name	Part Number	
1	Case 481, Iron, 2.5 X 2 NPT, Steel plugs	3301170X1	
2	Impeller 481, 304SS, Specify Dia, 4.75 Max, 7/16 Thrd	3301173	
4	Motor chart, J56 3.5" Rigid Base	See Chart	
	Motor chart, J56 4.5" Rigid Base	See Chart	
26*	Nut, Stainless	3301168	
40*	Flinger, Neoprene	104.000.171	
53	Base, Steel	137.001.130	
71	Adapter, Iron, J56, 5/8" Seal, with zinc plug	3301172X	
73*	Gasket, Case, Buna	137.003.154	
89*	Seal, 5/8", Type 21, EPDM-CARB/CM, With retainer	101.000.327	
	Seal, 5/8", Type 21, EPDM-CARB/SIL, With retainer	101.000.173	
	Seal, 5/8", Type 21, EPDM-SIL/SIL, With retainer	101.000.236	
	Seal, 5/8", Type 21, VN-CARB/CM, With retainer	101.000.103	
	Seal, 5/8", Type 21, VN-CARB/SIL, With retainer	101.000.120	
	Seal, 5/8", Type 21, VN-SIL/SIL, With retainer	101.000.239	
	Seal, 5/8", Type 6, BN-CARB/CM, No retainer	101.000.110	
KIT		3 Phase:	1 Phase:
	Repair Kit, 5/8" BN-CARB/CM Seal	3301175	3301175.1
	Repair Kit, 5/8" EPDM-CARB/CM Seal	3301175G	3301175G.1
	Repair Kit, 5/8" EPDM-CARB/SIL Seal	3301175C	3301175C.1
	Repair Kit, 5/8" EPDM-SIL/SIL Seal	3301175D	3301175D.1
	Repair Kit, 5/8" VN-CARB/CM Seal	3301175A	3301175A.1
	Repair Kit, 5/8" VN-CARB/SIL Seal	3301175B	3301175B.1
	Repair Kit, 5/8" VN-SIL/SIL Seal	3301175E	3301175E.1

* Denotes components included in repair kit.

Use 3 phase kits on 2-3 HP 1 phase motors.

Motor Charts

