



A WILO COMPANY

# MOTORPUMP™ — 3500 RPM

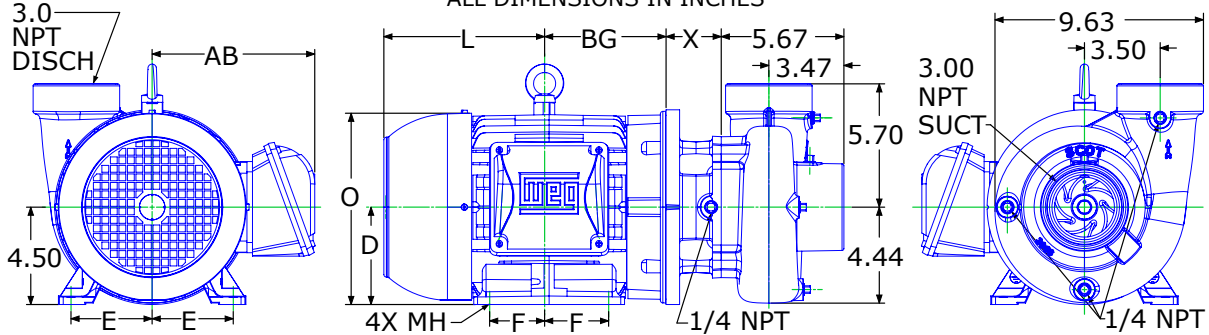
316SS, 60 Hz, 3 X 3 X 5.63 NPT

# 605S TC



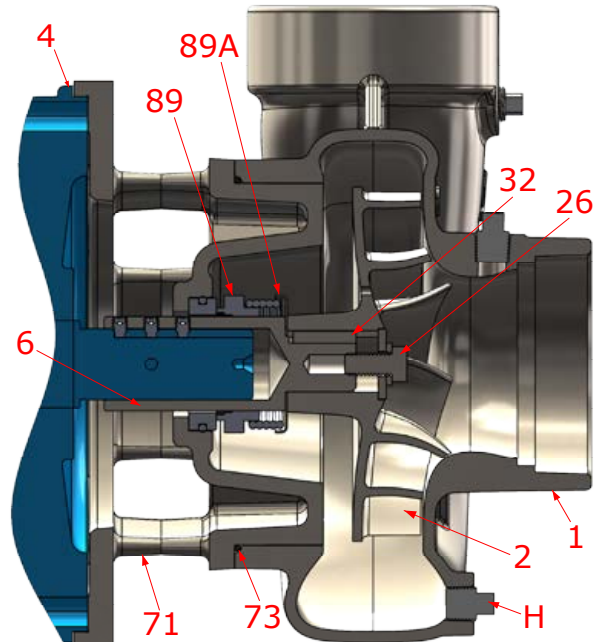
Motor Dimensions											
NEMA	Premium Efficient	TC Frame	3 Phase	3500 RPM							
HP	TYPE	Frame	B	D	E	F	O	AB	BG	L	MH
1.5	TEFC	TC143	3.60	3.50	2.75	2.00	7.12	6.18	4.25	5.81	0.34
2	TEFC	TC145	3.60	3.50	2.75	2.50	7.12	6.18	4.75	6.31	0.34
3	TEFC	TC182	4.25	4.50	3.75	2.25	9.34	7.56	5.00	6.99	0.41
5	TEFC	TC184	4.25	4.50	3.75	2.75	9.34	7.56	5.50	7.49	0.41
7.5	TEFC	TC213	5.14	5.25	4.25	2.75	10.84	8.58	6.25	8.40	0.41
10,15	TEFC	TC215	5.14	5.25	4.25	3.50	10.84	8.58	7.00	9.14	0.41

DRAWING DEPICTS 5HP TC184 TEFC MOTOR  
ALL DIMENSIONS IN INCHES



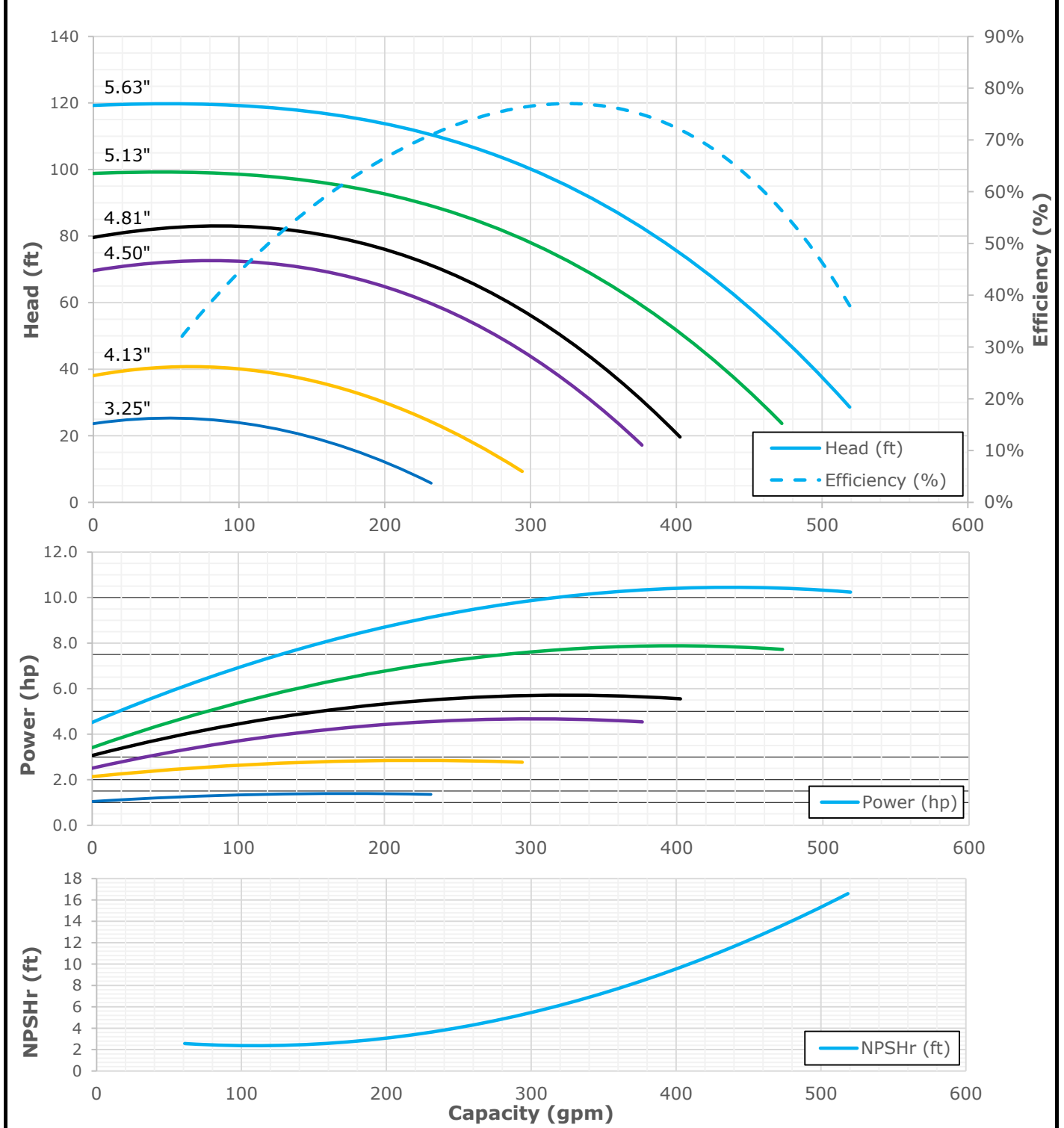
## Construction Options

Key	Part Name	Stainless
1	Case	316SS
2	Impeller	316SS
2A	Shims	316SS
6	Stub Shaft	316SS
26	Impeller Retaining Assembly	316SS
32	Key	316SS
71	Adapter	316SS
73	Gasket, Case	Viton
89	Mechanical Seal, Type 21, VN-SIL/SIL	Standard
89A	Seal Spring Retainer	316SS
H	Plug, Drain	316SS

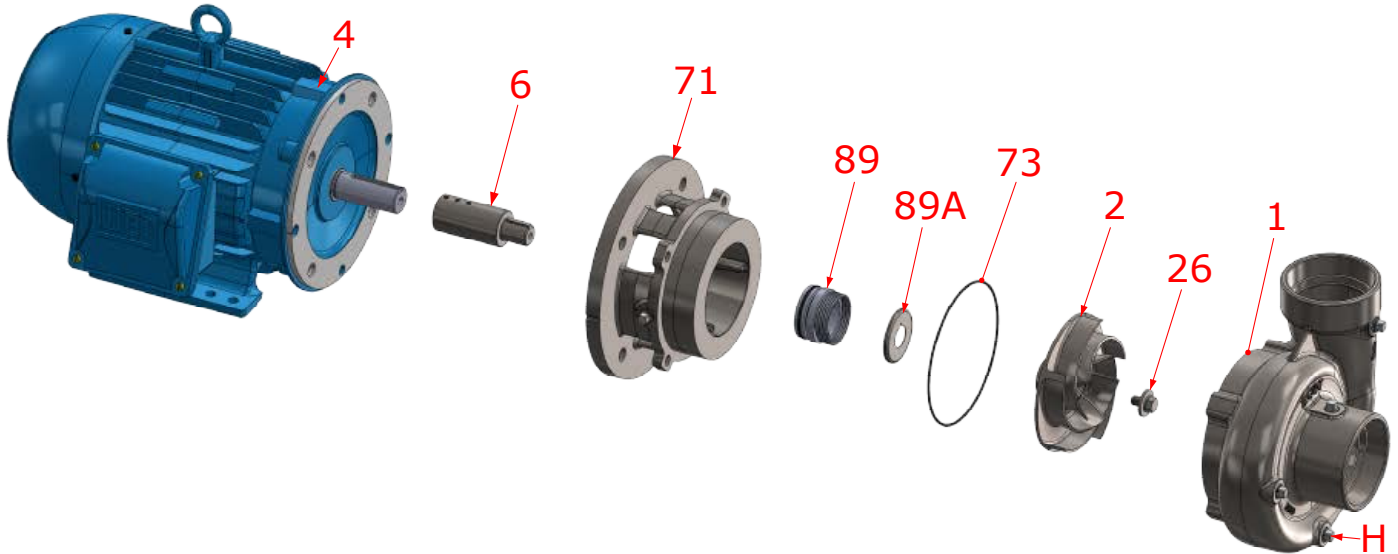


**Performance Curve**

Performance Curve	Pump <b>605S</b>	1.00 S.G.	Imp. Type: Semi-Open	3500 RPM	Max Sphere: 9/16"
Number: 40.000.767S	3.0 X 3.0 X 5.63	70.0 °F	8/19/2020	60 Hz	PEI <sub>CL</sub> 0.98



**Parts**



Key	Part Name	Part Number		
		1.5-3 HP	5-7.5 HP	10-15 HP
1	Case 605S, 316SS, 3.00 X 3.00 NPT with plugs	3301189X	3301189X	3301189X
2	Impeller 605S, 316SS, Specify Dia., 5.63 Max 7/8" Key	3301191	3301191	3301191
2A	Shim, 301SS, 0.005" Thick	137.002.549	137.002.549	137.002.549
	Shim, 301SS, 0.016" Thick	137.002.550	137.002.550	137.002.550
4	Motor chart, TC140	See Chart	--	--
	Motor chart, TC180	--	See Chart	--
	Motor chart, TC210	--	--	See Chart
6*	Stub shaft assembly, 316SS Includes pin (Key# H2) and set screws (Key# H1)	137.003.151X	137.003.148X	3301271X
26*	Impeller retaining assembly, 316SS	118.000.691	118.000.691	118.000.691
32*	Key, Stainless, 316SS	102.000.218	102.000.218	102.000.218
71	Adapter, 316SS, 1-1/2" Seal, with plug	3301125X	3301129X	--
	Adapter, 316SS, 1-3/4" Seal, with plug	--	--	3301269X
73*	Gasket, Case, Viton	116.000.150	116.000.150	116.000.150
H1	Set Screw, 303SS (3)	105.000.313	105.000.313	3301275
H2	Pin, 303SS	105.000.354	105.000.354	3301274
89*	Seal, 1-1/2", 316SS, Type 21, VN-SIL/SIL	137.003.147	137.003.147	--
	Seal, 1-3/4", 316SS, Type 21, VN-SIL/SIL	--	--	3301272
89A*	Seal spring retainer, Stainless	137.003.146	137.003.146	3301270
KIT	Repair Kit, 1-1/2" VN-SIL/SIL Seal, VN O-ring	118.000.692	118.000.690	--
	Repair Kit, 1-3/4" VN-SIL/SIL Seal, VN O-ring	--	--	3301273

\* Denotes components included in repair kit.

**Motor Charts**

