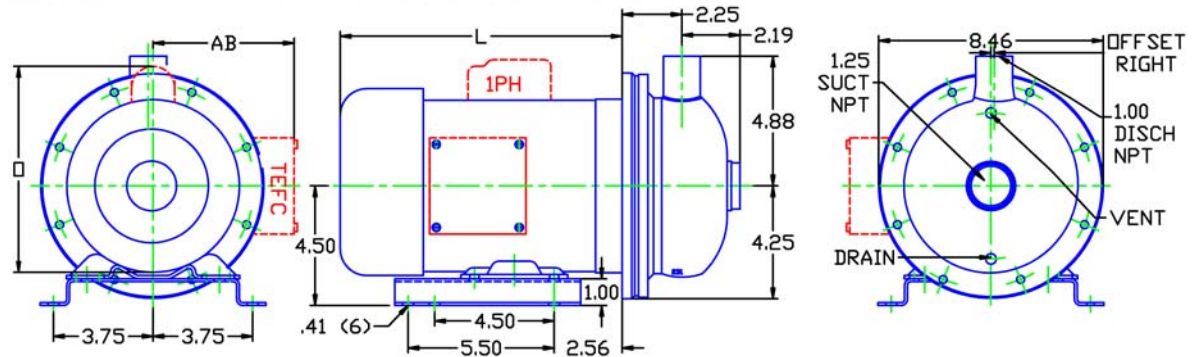


MOTOR DIMENSIONS NEMA J56 FRAME 3500 RPM

HP	FRAME	TYPE	3PH			1PH		
			L	O	AB	L	O	AB
.50	J56	ODP	8.26	6.46	3.32	9.06	8.00	2.83
.75	J56	ODP	8.65	6.46	3.32	9.56	8.00	2.83
1.0	J56	ODP	8.65	6.46	3.32	9.81	8.00	2.83
1.5	J56	ODP	9.04	6.46	3.32	10.31	8.00	2.83
2.0	J56	ODP	9.44	6.46	3.32	10.31	8.00	3.25
3.0	J56	ODP	10.22	6.46	3.32	10.84	8.00	3.25
5.0	J56	ODP	12.19	6.72	3.23	--	--	--
.50	J56	TEFC	9.48	7.33	5.87	9.43	8.10	5.31
.75	J56	TEFC	9.48	7.33	5.87	9.43	8.10	5.31
1.0	J56	TEFC	9.87	7.33	5.87	10.56	8.10	5.31
1.5	J56	TEFC	10.27	7.33	5.87	10.56	8.10	5.31
2.0	J56	TEFC	11.06	7.33	5.87	11.77	8.10	5.31
3.0	J56	TEFC	13.03	7.33	5.87	12.16	8.10	5.31
5.0	J56	TEFC	15.37	9.22	6.70	--	--	--

D231J563500

DRAWING DEPICTS J56 1PHASE TEFC MOTOR



ALL DIMENSIONS IN INCHES.

DRAWING REPRESENTS APPROXIMATE PUMP DIMENSIONS. ATOCAD DRAWING TO SCALE AVAILABLE FROM FACTORY.

5HP 1 phase is not available

Motors are Standard Efficient with the exception of the 5HP ODP and 1 - 3HP 3 phase TEFC that are Premium Efficient.

The 5HP TEFC is 4.50 rigid base and does not require a sub-base

**PUMP TO BE
INSTALLED ONLY IN
THE HORIZONTAL
POSITION AS
SHOWN.**

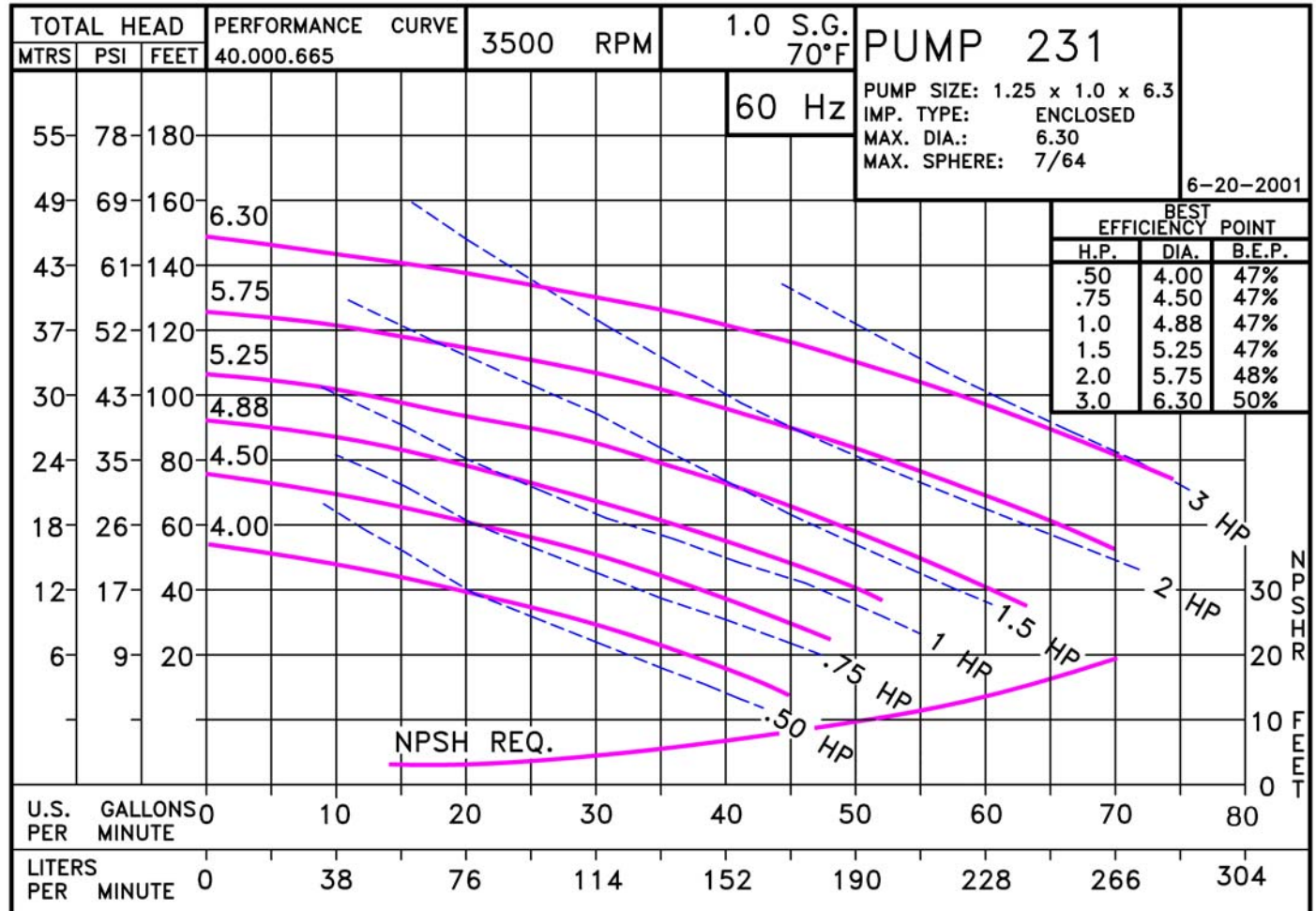


2307DP

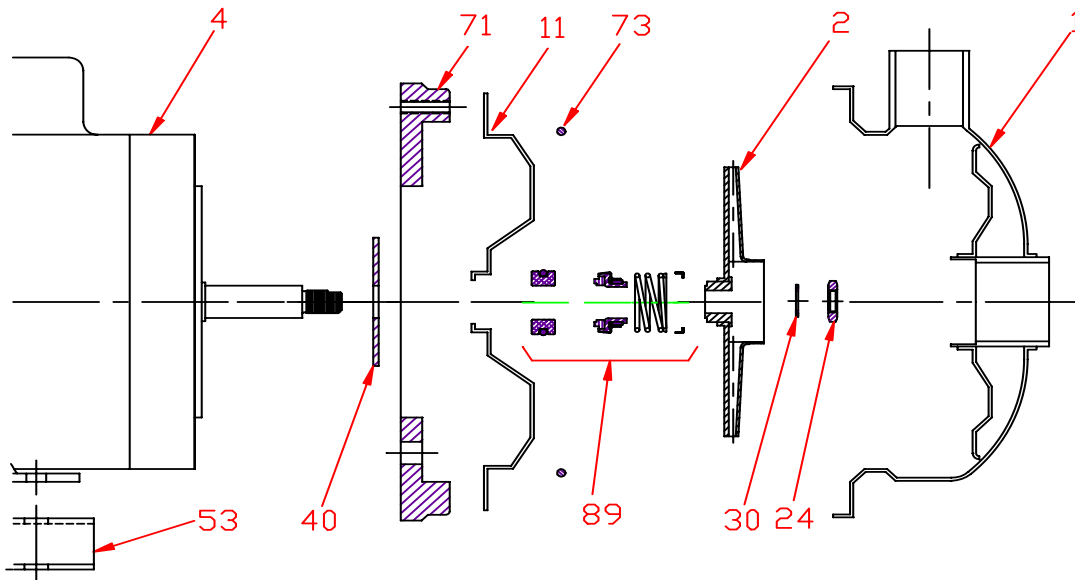
D231J563500
2313500

231 J56

2313500J56
81.001.576 L17



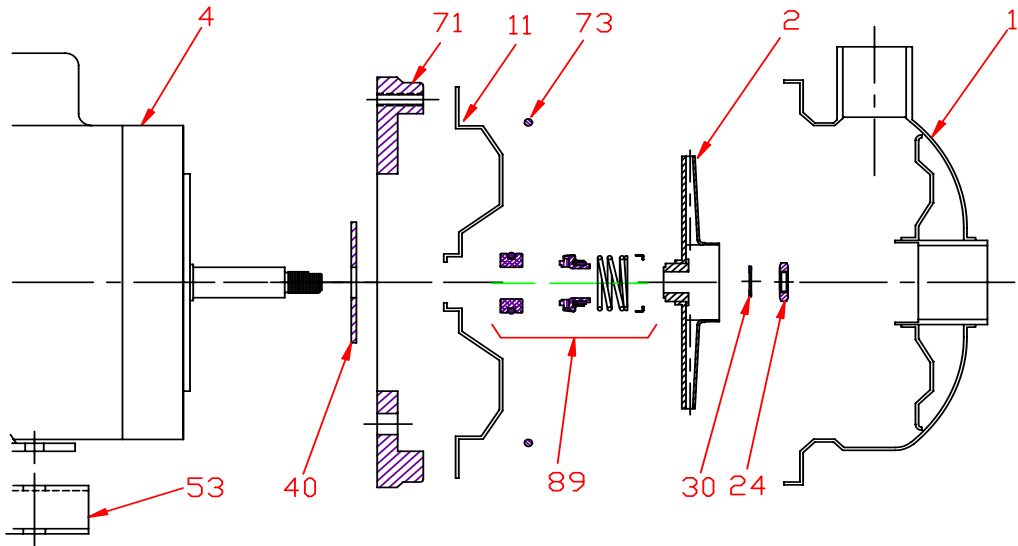
Pump 231 • 304SS • J56 Frame • 3500 RPM



KEY NO.	PART NAME	PUMP 231	
1	CASE, 304SS, 1.25 x 1.00, NPT	137.001.053	
2	IMPELLER, STAINLESS, ENCLOSED, 7/16" THREADED:		
	4.00" DIA	137.001.374	
	4.50" DIA	137.001.058	
	4.88" DIA	137.001.057	
	5.25" DIA	137.001.056	
	5.75" DIA	137.001.055	
4	MOTOR:		
	J56/180, 4.5" RIGID BASE J56/56, 3.5" RIGID BASE	See Chart See Chart	
11	COVER, STAINLESS	137.001.059	
24*+	NUT, 304SS	137.001.349	
30*+	D WASHER, 316SS	104.000.168	
40*	FLINGER, NEOPRENE	104.000.171	
53	BASE, STEEL	137.001.130	
71	DISC, IRON	137.001.046	
73*	GASKET, CASE, BUNA	137.001.121	
89*	5/8" SEALS WITH RETAINER:		
	TYPE 21, BN-CARB/SIL	137.002.401	
	TYPE 21, VN-CARB/SIL	137.002.390	
	TYPE 21, VN-SIL/SIL	137.002.406	
--	REPAIR KITS:	3 PHASE:	† 1 PHASE:
	BN-CARB/SIL SEAL	118.000.581	118.000.581.1
	VN-CARB/SIL SEAL	118.000.581E	118.000.581E.1
	VN-SIL/SIL SEAL	118.000.581F	118.000.581F.1
	EPDM-CARB/SIL SEAL	118.000.581C	118.000.581C.1

* DENOTES COMPONENTS INCLUDED IN REPAIR KIT.
 + NOT REQUIRED ON 1/3 TO 1½ HP 1 PHASE MOTORS.
 † USE 3 PHASE KIT ON 2-3 HP 1 PHASE MOTORS.

Pump 231 • 304SS • J56 Frame • 3500 RPM



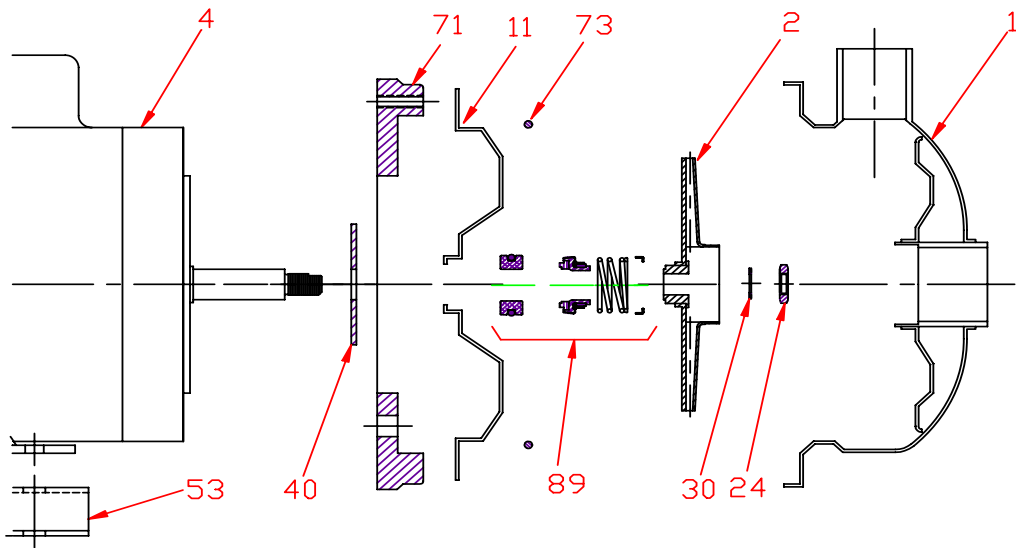
CONSTRUCTION OPTIONS		
KEY	PART NAME	STANDARD FITTED
1	Case	304SS
2	Impeller	304SS
11	Cover	304SS
24	Nut	304SS
30	D-Washer	316SS
40	Flinger	Neoprene
53	Base	Steel
71	Motor Disc	Cast Iron
73	Gasket, Case	Buna
89	Mechanical Seal, Type 21, BN/CARB/SIL	Standard
89A	Seal Retainer	304SS

E231J56-B

J15

C2313500J56

Pump 231 • 304SS • J56 Frame • 3500 RPM



CONSTRUCTION OPTIONS		
KEY	PART NAME	STANDARD FITTED
1	Case	304SS
2	Impeller	304SS
11	Cover	304SS
24	Nut	304SS
30	D-Washer	316SS
40	Flinger	Neoprene
53	Base	Steel
71	Motor Disc	Cast Iron
73	Gasket, Case	Buna
89	Mechanical Seal, Type 21, BN/CARB/SIL	Standard
89A	Seal Retainer	304SS