

MOTOR DIMENSIONS

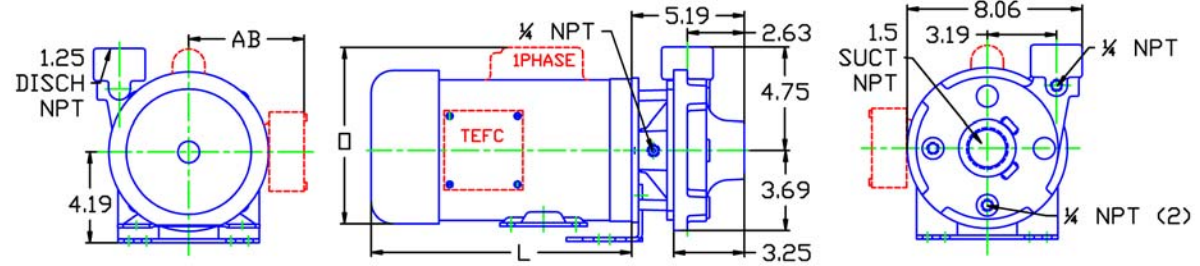
NEMA J56 FRAME 3500 RPM

HP	ODP						TEFC					
	3 PHASE			1 PHASE			3 PHASE			1 PHASE		
	L	O	AB	L	O	AB	L	O	AB	L	O	AB
.75	8.65	6.46	3.32	9.56	8.37	3.25	9.48	7.33	5.87	9.43	8.10	5.31
1.0	8.65	6.46	3.32	9.81	8.37	3.25	10.27	7.33	5.87	10.59	8.10	5.31
1.5	9.04	6.46	3.32	10.31	8.37	3.25	11.06	7.33	5.87	10.59	8.10	5.31
2.0	9.44	6.46	3.32	10.31	8.37	3.25	11.85	7.33	5.87	11.77	8.10	5.31
3.0	10.22	6.46	3.32	10.84	8.37	3.25	13.03	7.33	5.87	12.16	8.10	5.31

Motors are Standard Efficient with the exception of the 1 - 3HP 3phase TEFC that are Premium Efficient.

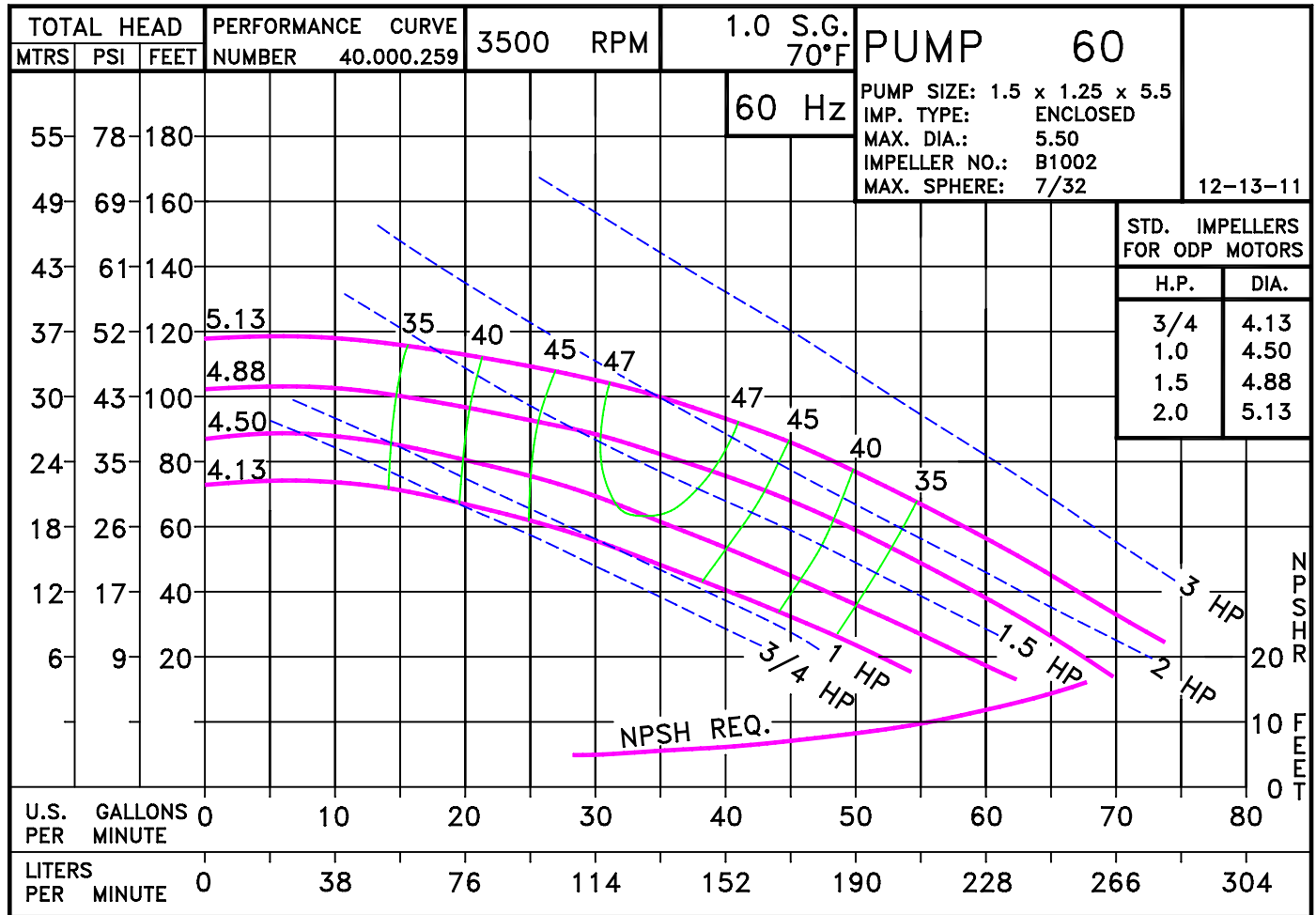
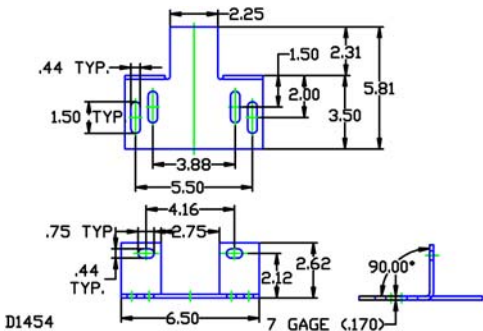
D060J56

DRAWING DEPICTS 56J 1PHASE TEFC MOTOR



ALL DIMENSIONS IN INCHES.

DRAWING REPRESENTS APPROXIMATE PUMP DIMENSIONS. AUTOCAD DRAWING TO SCALE AVAILABLE FROM FACTORY.



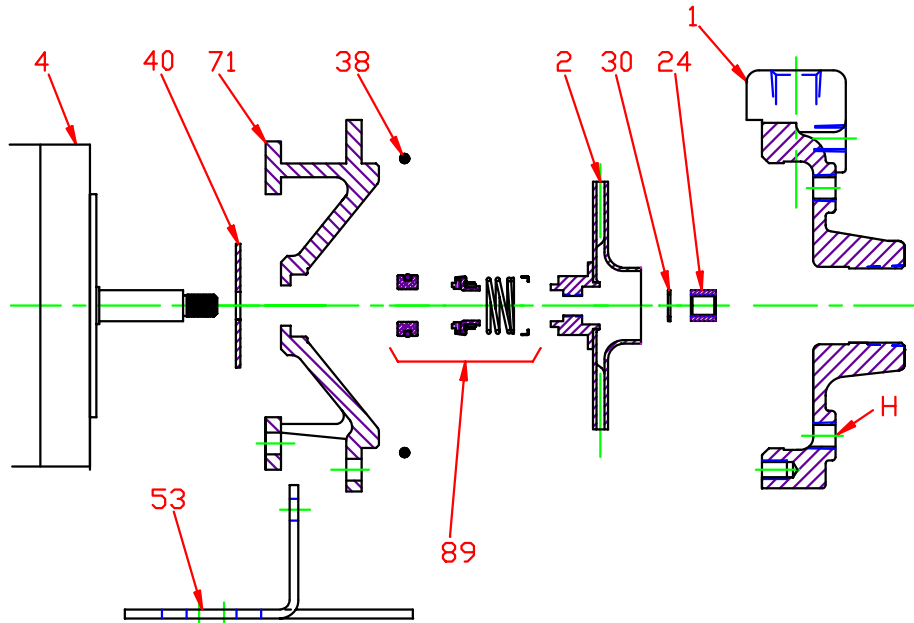
D1454
0607DP

D060J56
0603500

60 J56

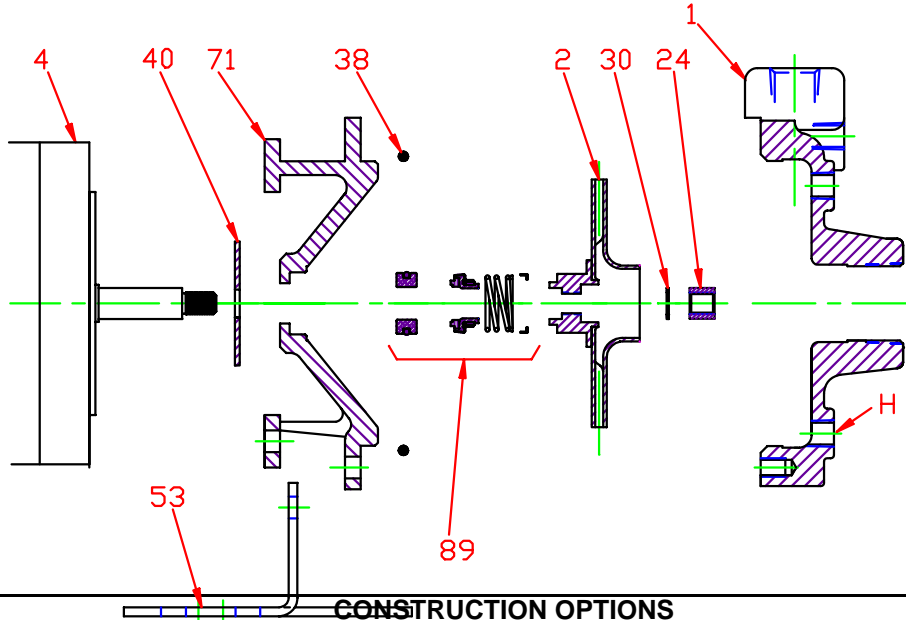
0603500J56
81.001.126 C16

Pump 60 • Iron • J56 Frame • 3500 RPM



KEY NO.	PART NAME	PUMP 60			
1	CASE, IRON, 1.5 x 1.25 NPT	130.000.170X			
2	IMPELLER, 7/16" THREADED, ENCLOSED, SPECIFY DIAMETER:				
	CIBR	137.000.121			
	IRON	137.000.125			
	BRONZE	137.000.194			
4	MOTOR:				
	J56, ROUND BODY J56, 3.5" RIGID BASE	See Chart See Chart			
24*+	NUT, STAINLESS	105.000.465			
30*++	D WASHER, STAINLESS	104.000.168			
40*	FLINGER, NEOPRENE	104.000.171			
53	BASE, STEEL	119.000.231A			
71	ADAPTER, IRON	132.000.337X			
73*	GASKET, CASE, BUNA	116.000.146			
89*	5/8" SEALS:				
	NO RETAINER: (not shown)				
	TYPE 6, BN-CARB/CM	101.000.110			
	WITH RETAINER:				
	TYPE 21, VN-CARB/CM	101.000.103			
	TYPE 21, VN-CARB/SIL	101.000.120			
	TYPE 21, VN-SIL/SIL	101.000.239			
	TYPE 21, EPDM-CARB/SIL	101.000.173			
TYPE 21, EPDM-CARB/CM	101.000.327				
	TYPE 21, EPDM-SIL/SIL	101.000.236			
	REPAIR KITS:	3/4 - 1 1/2 HP		2 - 3 HP	
		3 PHASE	1 PHASE	1 & 3 PHASE	
		BN-CARB/CM SEAL	118.000.340	118.000.340.1	118.000.638
		VN-CARB/CM SEAL	118.000.340A	118.000.340A.1	118.000.638A
		VN-CARB/SIL SEAL	118.000.340B	118.000.340B.1	118.000.638B
		VN-SIL/SIL SEAL	118.000.340J	118.000.340J.1	118.000.638E
		EPDM-CARB/SIL SEAL	118.000.340C	118.000.340C.1	118.000.638C
		EPDM-CARB/CM SEAL	118.000.340R	118.000.340R.1	118.000.638F
		EPDM-SIL/SIL SEAL	118.000.340D	118.000.340D.1	118.000.638D
	* DENOTES COMPONENTS INCLUDED IN REPAIR KIT.				
+ NOT REQUIRED ON 1/3 TO 1-1/2 HP 1 PHASE MOTORS.					
++ NOT REQUIRED ON 1/3 TO 1-1/2 HP 1 PHASE, AND 2 - 3 HP MOTORS.					

Pump 60 • Iron • J56 Frame • 3500 RPM



CONSTRUCTION OPTIONS				
KEY	PART NAME	STANDARD FITTED	BRONZE FITTED	ALL IRON
1	Case	Iron	Iron	Iron
2	Impeller	CIBR	Bronze	Iron
24	Impeller Locknut	Stainless	Stainless	Stainless
30	D-Washer	Stainless	Stainless	Stainless
40	Flinger	Neoprene	Neoprene	Neoprene
53	Base	Steel	Steel	Steel
71	Adapter	Iron	Iron	Iron
73	Gasket, Case	Buna	Buna	Buna
89	Mechanical Seal, Type 6 BN-CM	Standard	Standard	Standard
H	Plug, Drain	Brass	Brass	Plated Steel

CIBR: Cast iron impeller with brass wear ring on eye

E011J56

C16

C0603500J56