

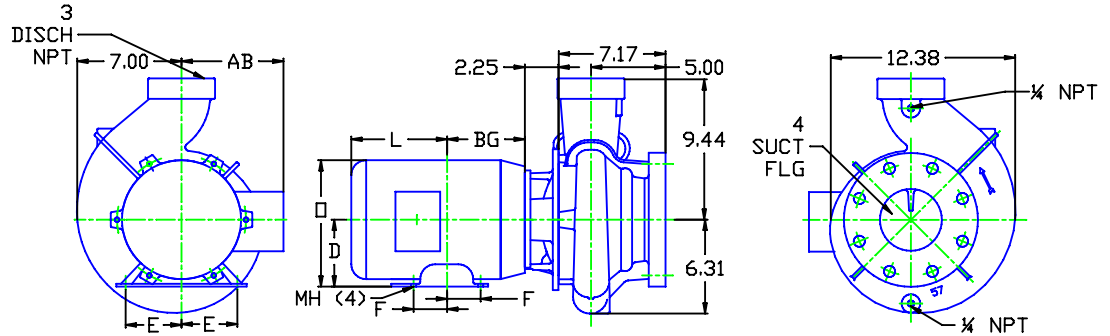
MOTOR DIMENSIONS

NEMA PREMIUM EFFICIENT JM FRAME 3 PHASE 1750 RPM

HP	Type	Frame	D	E	F	O	AB	BG	L	MH
2	ODP	JM145	3.50	2.75	2.50	6.77	5.61	5.38	4.63	0.34
3	ODP	JM182	4.50	3.75	2.25	8.44	6.74	5.75	6.50	0.41
5	ODP	JM184	4.50	3.75	2.75	8.44	6.74	6.25	7.50	0.41
2	TEFC	JM145	3.50	2.75	2.50	7.00	6.25	5.06	6.34	.34
3	TEFC	JM182	4.50	3.75	2.25	8.85	7.57	5.01	7.14	.41
5	TEFC	JM184	4.50	3.75	2.75	8.85	7.57	5.51	7.64	.41

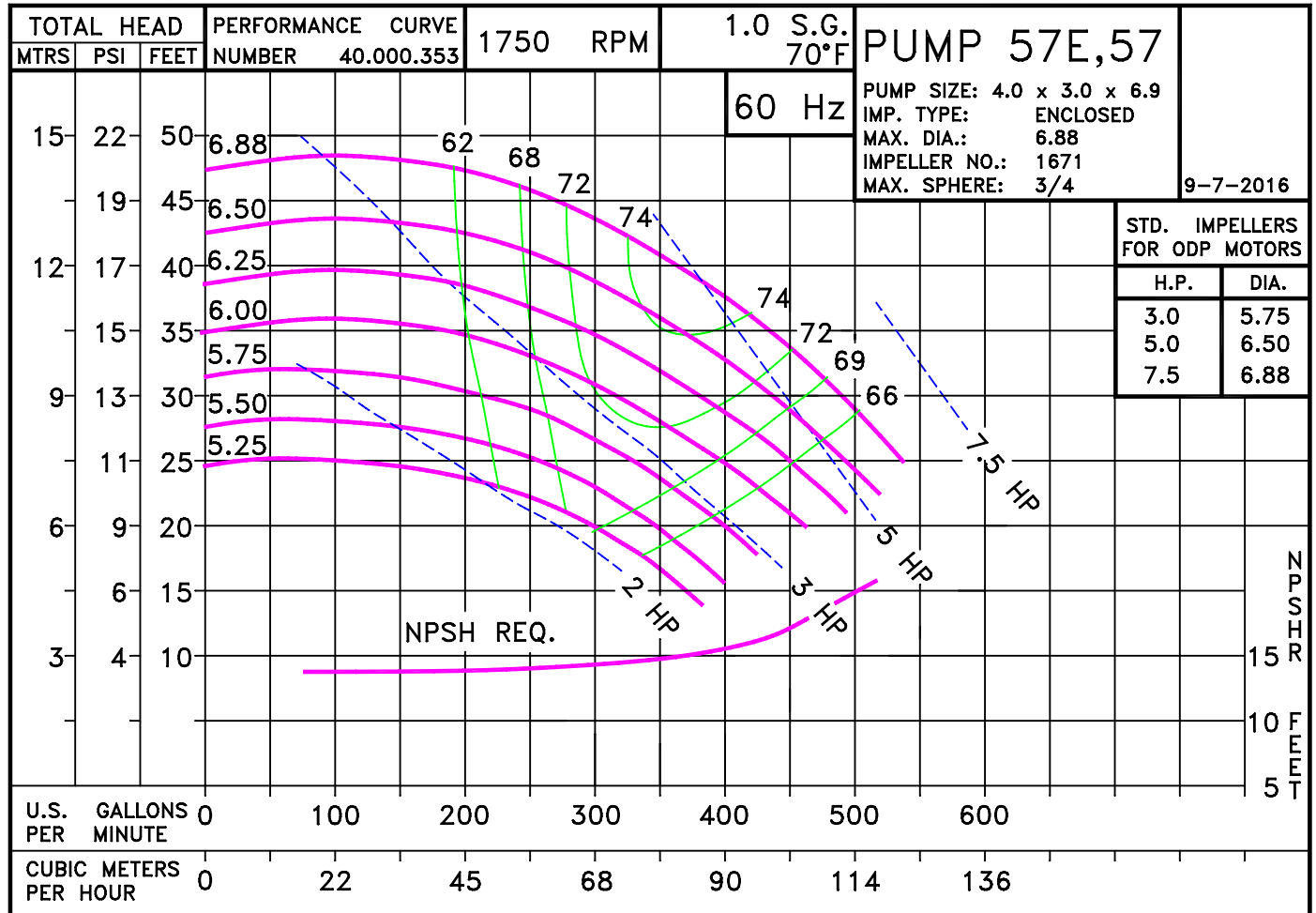
D57EJM182

DRAWING DEPICTS JM182 3HP ODP MOTOR



ALL DIMENSIONS IN INCHES

DRAWING REPRESENTS APPROXIMATE PUMP DIMENSIONS. AUTOCAD DRAWING TO SCALE AVAILABLE FROM FACTORY



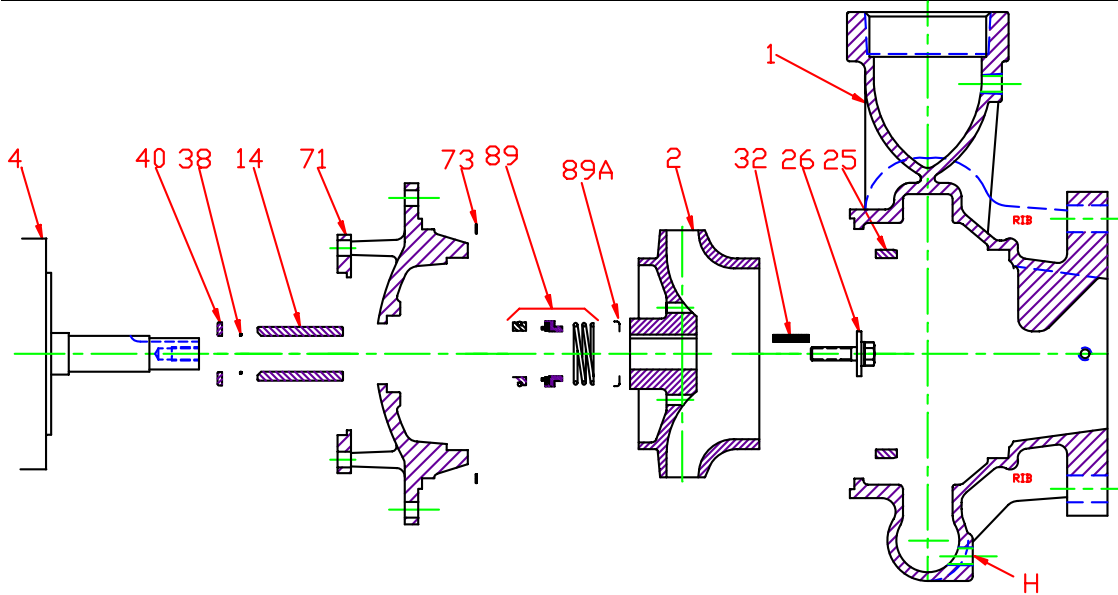
057E5TE

D057EJM182
0571750

57E
JM

057E1750JM
81.001.193 J16

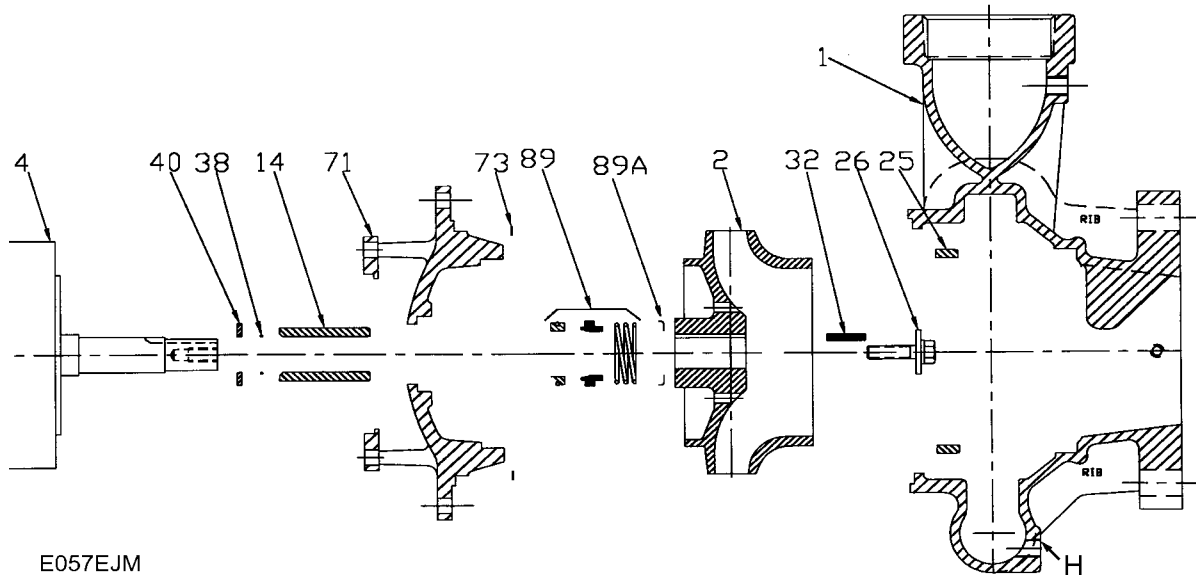
Pump 57E • Iron • JM Frame • 1750 RPM



KEY NO.	PART NAME	PUMP NO. 57E
1+	CASE, IRON, 4 FLG x 3 NPT	130.000.348X
2	IMPELLER, 7/8" KEYED, ENCLOSED, SPECIFY DIAMETER:	
	IRON	137.000.122
	BRONZE	137.000.222
4	MOTOR, JM140/180	See Chart
14*	SHAFT SLEEVE, BRONZE	110.000.215
	SHAFT SLEEVE, STAINLESS	110.000.373
25	WEAR RING, BRONZE	103.000.197
	WEAR RING, STEEL	103.000.218
26*	IMPELLER RETAINER, STAINLESS	118.000.163A
32*	KEY, STAINLESS	102.000.256
38*	O-RING, SHAFT, BUNA	116.000.117
	O-RING, SHAFT, VITON	116.000.105
40*	FLINGER, STAINLESS	104.000.256
71	ADAPTER, IRON - JM140/180	132.000.339X
73*	GASKET, CASE, FIBER	116.000.273
89*	1½" SEALS:	
	BN-CARB/CM	101.000.168
	VN-CARB/CM	101.000.191
	VN-CARB/SIL	101.000.175
	VN-SIL/SIL	101.000.204
	EPDM-CARB/SIL	101.000.175B
	EPDM-SIL/SIL	101.000.204A
89A*	SEAL RETAINER, STAINLESS	104.000.174
--	° REPAIR KITS:	
	BN-CARB/CM SEAL	118.000.383
	VN-CARB/CM SEAL (S)	118.000.383A
	VN-CARB/CM SEAL	118.000.383G
	VN-CARB/SIL SEAL	118.000.383B
	VN-SIL/SIL SEAL (S)	118.000.383E
	EPDM-CARB/SIL SEAL	118.000.383C
EPDM-SIL/SIL SEAL	118.000.383D	

* DENOTES COMPONENTS INCLUDED IN REPAIR KIT.
 + INCLUDES BRONZE WEAR RING. FOR STEEL WEAR RING, REPLACE SUFFIX "X" WITH "X1".
 ° ALL REPAIR KITS INCLUDE THE BRONZE SHAFT SLEEVE EXCEPT THE (S) INDICATED, WHICH IS STAINLESS WITH VITON SHAFT O-RING.

Pump 57E • Iron • JM Frame • 1750 RPM



E057EJM

CONSTRUCTION OPTIONS				
KEY	PART NAME	STANDARD FITTED	BRONZE FITTED	ALL IRON
1	Case	Iron	Iron	Iron
2	Impeller	Iron	Bronze	Iron
14	Shaft Sleeve	Bronze	Bronze	Stainless
25	Wear Ring	Bronze	Bronze	Steel
26	Impeller Retaining Assy	Stainless	Stainless	Stainless
32	Key	Stainless	Stainless	Stainless
38	Shaft O-Ring	BUNA	BUNA	BUNA
40	Flinger	Stainless	Stainless	Stainless
71	Adapter	Iron	Iron	Iron
73	Gasket, Case	Fiber	Fiber	Fiber
89	Mechanical Seal, Type 21 BN-CM	Standard	Standard	Standard
89A	Seal Retainer	Stainless	Stainless	Stainless
H	Plug, Drain	Brass	Brass	Plated Steel