

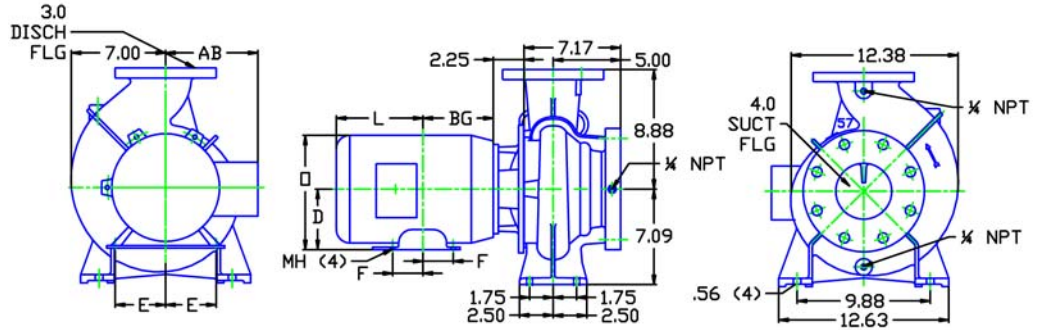
MOTOR DIMENSIONS

NEMA PREMIUM EFFICIENT JM FRAME 3 PHASE 1750 RPM

HP	Type	Frame	D	E	F	O	AB	BG	L	MH
1.5, 2	ODP	JM145	3.50	2.75	2.50	6.77	5.61	5.38	4.63	0.34
3	ODP	JM182	4.50	3.75	2.25	8.44	6.74	5.75	6.50	0.41
5	ODP	JM184	4.50	3.75	2.75	8.44	6.74	6.25	7.50	0.41
1.5, 2	TEFC	JM145	3.50	2.75	2.50	7.00	6.25	5.06	6.34	.34
3	TEFC	JM182	4.50	3.75	2.25	8.85	7.57	5.01	7.14	.41
5	TEFC	JM184	4.50	3.75	2.75	8.85	7.57	5.51	7.64	.41

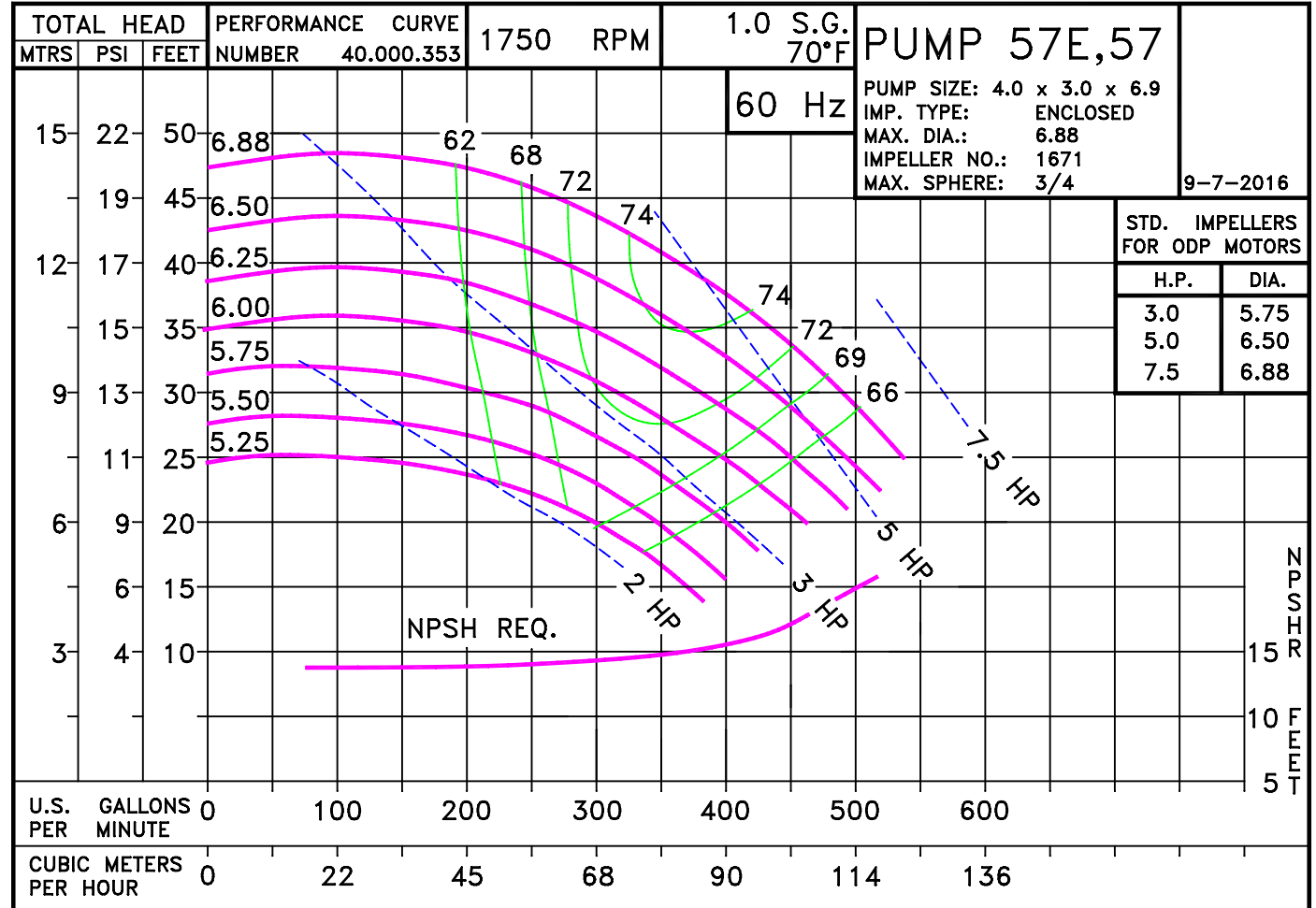
D057JM182

DRAWING DEPICTS JM182 3HP ODP MOTOR

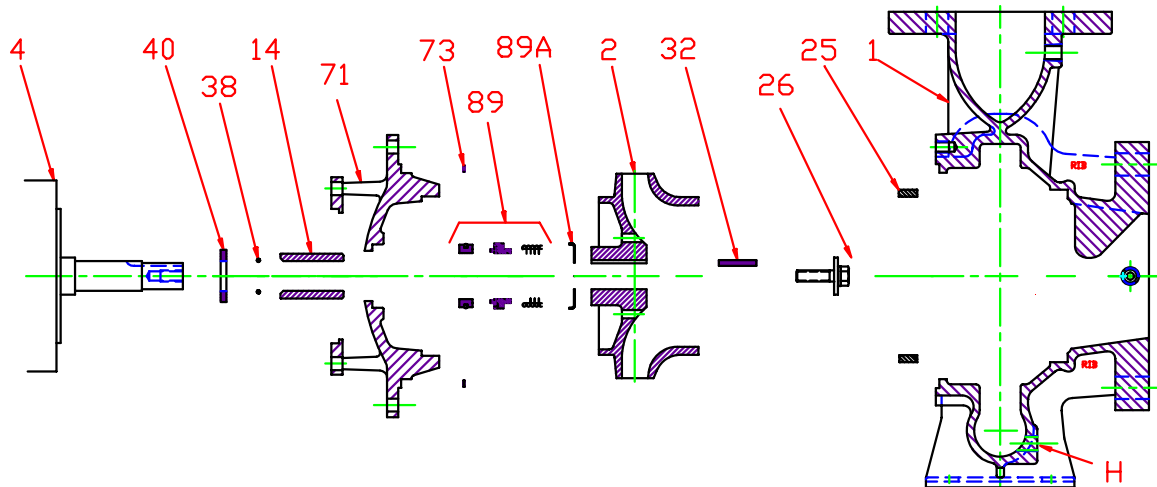


ALL DIMENSIONS IN INCHES

DRAWING REPRESENTS APPROXIMATE PUMP DIMENSIONS. AUTOCAD DRAWING TO SCALE AVAILABLE FROM FACTORY



Pump 57 • Iron • JM Frame • 1750 RPM



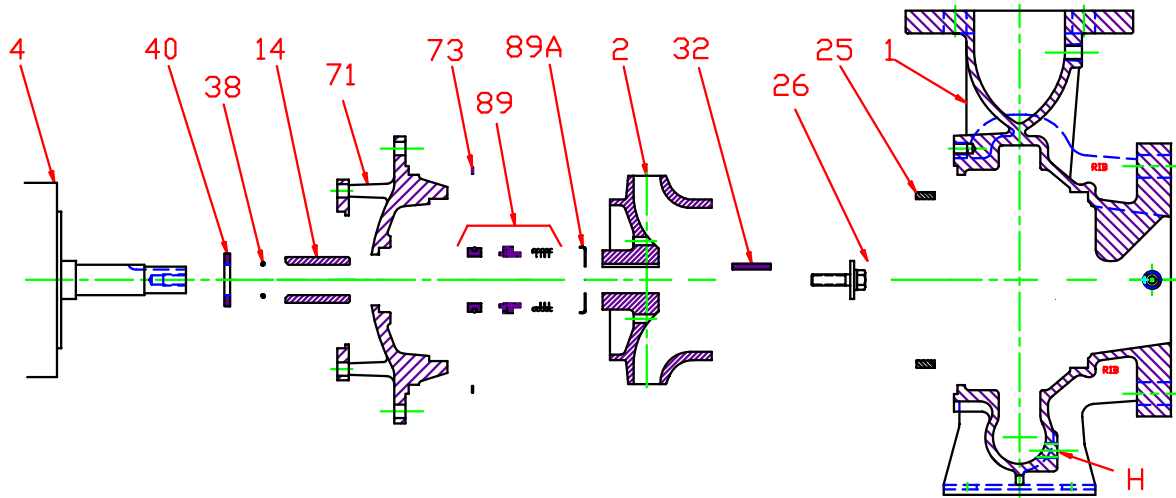
KEY NO.	PART NAME	PUMP NO. 57
1+	CASE, IRON, 4 x 3 FLG	130.000.297X
2	IMPELLER, 7/8" KEYED, ENCLOSED, SPECIFY DIAMETER: IRON BRONZE	137.000.122 137.000.222
4	MOTOR, JM140/180 MOTOR, JM210	See Chart See Chart
14*	SHAFT SLEEVE, BRONZE SHAFT SLEEVE, STAINLESS	110.000.215 110.000.373
25	WEAR RING, BRONZE WEAR RING, STEEL	103.000.197 103.000.218
26*	IMPELLER RETAINER, STAINLESS	118.000.163A
32*	KEY	102.000.256
38*	O-RING, SHAFT, BUNA O-RING, SHAFT, VITON	116.000.117 116.000.105
40*	FLINGER, STAINLESS	104.000.256
71	ADAPTER, IRON - JM140/180	132.000.339X
73*	GASKET, CASE, FIBER	116.000.273
89*	1½" SEALS: BN-CARB/CM VN-CARB/CM VN-CARB/SIL VN-SIL/SIL EPDM-CARB/SIL EPDM-SIL/SIL	101.000.168 101.000.191 101.000.175 101.000.204 101.000.175B 101.000.204A
89A*	SEAL RETAINER, STAINLESS	104.000.174
--	° REPAIR KITS: BN-CARB/CM SEAL VN-CARB/CM SEAL (S) VN-CARB/CM SEAL VN-CARB/SIL SEAL VN-SIL/SIL SEAL (S) EPDM-CARB/SIL SEAL EPDM-SIL/SIL SEAL	118.000.383 118.000.383A 118.000.383G 118.000.383B 118.000.383E 118.000.383C 118.000.383D

* DENOTES COMPONENTS INCLUDED IN REPAIR KIT.

+ INCLUDES BRONZE WEAR RING. FOR STEEL WEAR RING, REPLACE SUFFIX "X" WITH "X1".

° ALL REPAIR KITS INCLUDE THE BRONZE SHAFT SLEEVE EXCEPT THE (S) INDICATED, WHICH WHICH IS STAINLESS WITH VITON SHAFT O-RING.

Pump 57 • Iron • JM Frame • 1750 RPM



CONSTRUCTION OPTIONS

KEY	PART NAME	STANDARD FITTED	BRONZE FITTED	ALL IRON
1	Case	Iron	Iron	Iron
2	Impeller	Iron	Bronze	Iron
14	Shaft Sleeve	Bronze	Bronze	Stainless
25	Wear Ring	Bronze	Bronze	Steel
26	Impeller Retaining Assy	Stainless	Stainless	Stainless
32	Key	Stainless	Stainless	Stainless
38	Shaft O-Ring	BUNA	BUNA	BUNA
40	Flinger	Stainless	Stainless	Stainless
71	Adapter	Iron	Iron	Iron
73	Gasket, Case	Fiber	Fiber	Fiber
89	Mechanical Seal, Type 21 BN-CM	Standard	Standard	Standard
89A	Seal Retainer	Stainless	Stainless	Stainless
H	Plug, Drain	Brass	Brass	Plated Steel

E057JM180

H12

C0571750JM