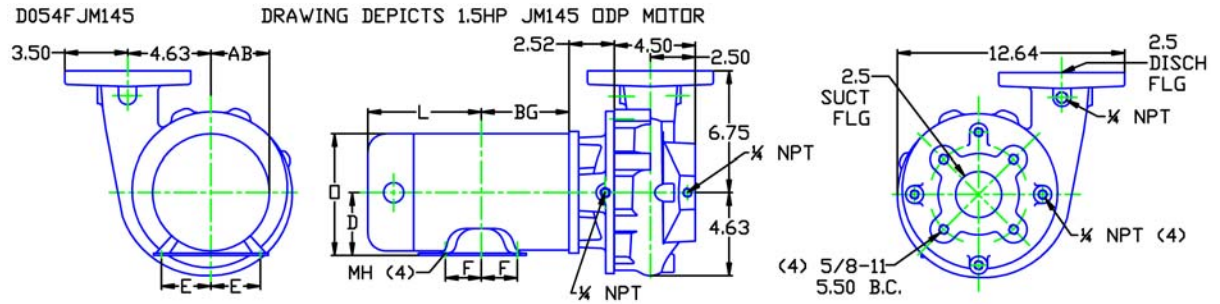


MOTOR DIMENSIONS

NEMA PREMIUM EFFICIENT JM FRAME 3 PHASE 1750 RPM

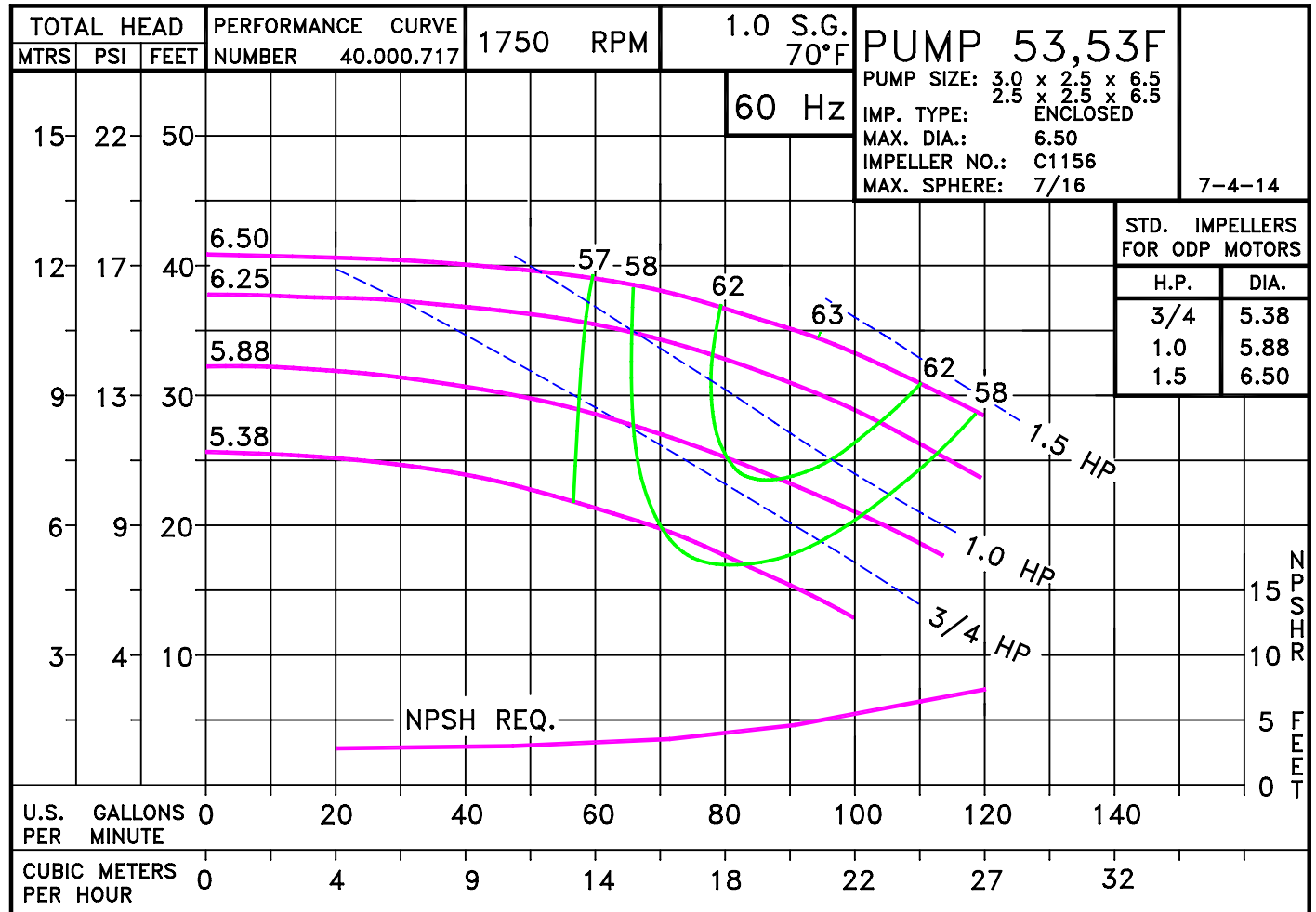
HP	Type	Frame	D	E	F	O	AB	BG	L	MH
1	ODP	JM143	3.50	2.75	2.00	6.77	5.67	4.88	4.63	0.34
1.5	ODP	JM145	3.50	2.75	2.50	6.77	5.61	5.38	4.63	0.34
1	TEFC	JM143	3.50	2.75	2.00	7.00	6.25	4.57	5.84	.34
1.5	TEFC	JM145	3.50	2.75	2.50	7.00	6.25	5.06	6.34	.34

See 56C frame for 3/4HP



ALL DIMENSIONS IN INCHES.

DRAWING REPRESENTS APPROXIMATE PUMP DIMENSIONS. AUTOCAD DRAWING TO SCALE AVAILABLE FROM FACTORY.



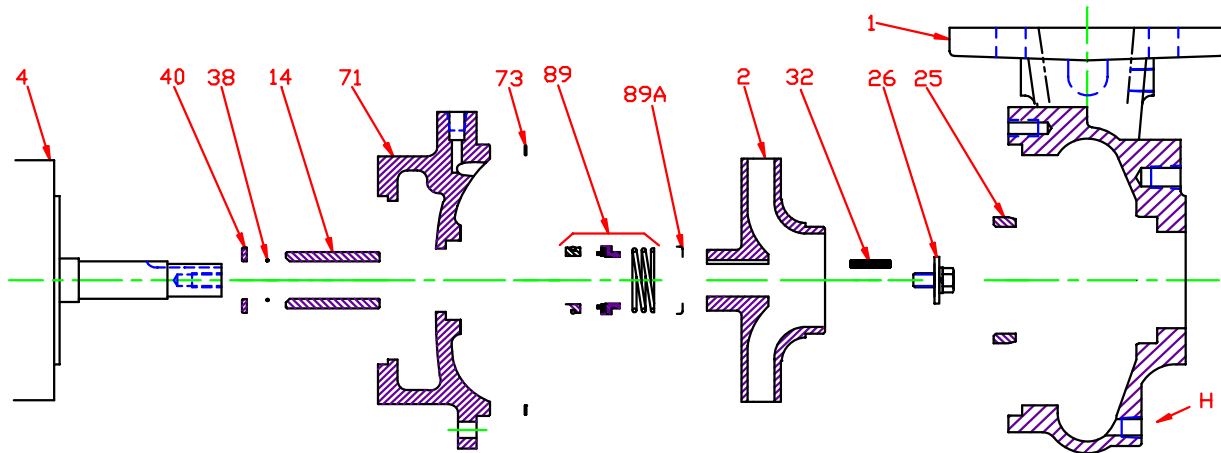
054F05DP

D053FJM145
0531750

53F JM

053F1750JM
081.002.113 M16

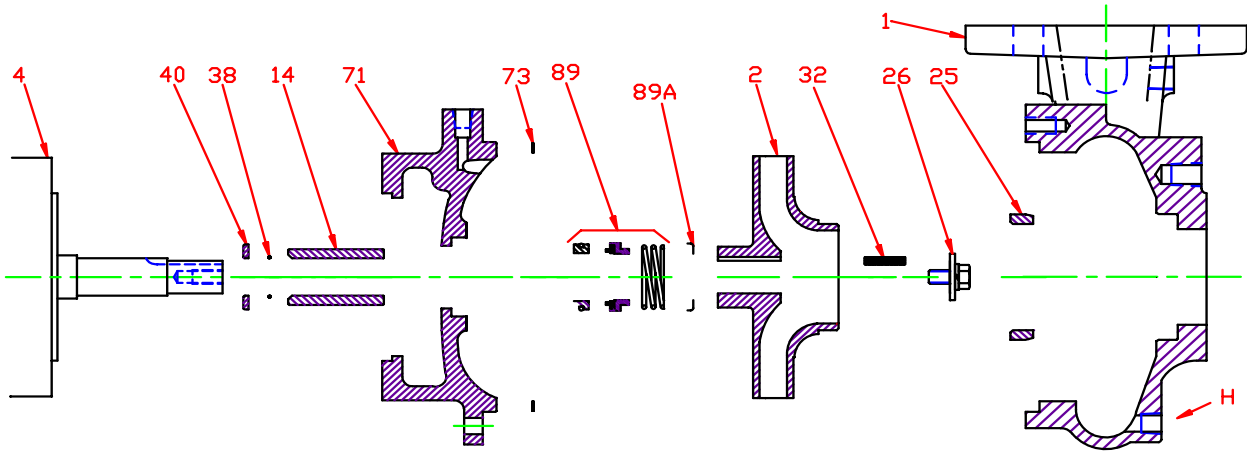
Pump 53F • Iron • JM Frame • 1750 RPM



KEY NO.	PART NAME	PUMP NO. 53F
1+	CASE, IRON, 2.5 x 2.5 FLG	130.000.184X
2	IMPELLER, 7/8" KEYED, ENCLOSED, SPECIFY DIAMETER: IRON BRONZE	137.000.206 137.000.205
4	MOTOR, JM140/180	See Chart
14*	SHAFT SLEEVE, BRONZE SHAFT SLEEVE, STAINLESS	110.000.178 110.000.192
25	WEAR RING, BRONZE WEAR RING, STEEL	103.000.137 103.000.153
26*	IMPELLER RETAINER, STAINLESS	118.000.163A
32*	KEY, STAINLESS	102.000.102
38*	O-RING, SHAFT, BUNA O-RING, SHAFT, VITON	116.000.117 116.000.105
40*	FLINGER, STAINLESS	104.000.165
71	ADAPTER, IRON - JM140/180	132.000.202X
73*	GASKET, CASE, FIBER	116.000.157
89*	1½" SEALS: BN-CARB/CM VN-CARB/CM VN-CARB/SIL VN-SIL/SIL EPDM-CARB/SIL EPDM-SIL/SIL	101.000.168 101.000.191 101.000.175 101.000.204 101.000.175B 101.000.204A
89A*	SEAL RETAINER, STAINLESS	104.000.174
--	° REPAIR KITS: BN-CARB/CM SEAL VN-CARB/CM SEAL (S) VN-CARB/CM SEAL VN-CARB/SIL SEAL VN-SIL/SIL SEAL (S) EPDM-CARB/SIL SEAL EPDM-SIL/SIL SEAL	118.000.344 118.000.344A 118.000.344K 118.000.344B 118.000.344F 118.000.344C 118.000.344D

* DENOTES COMPONENTS INCLUDED IN REPAIR KIT.
 + INCLUDES BRONZE WEAR RING. FOR STEEL WEAR RING, REPLACE SUFFIX "X" WITH "X1".
 ° ALL REPAIR KITS INCLUDE THE BRONZE SHAFT SLEEVE EXCEPT THE (S) INDICATED, WHICH IS STAINLESS WITH VITON SHAFT O-RING.

Pump 53F • Iron • JM Frame • 1750 RPM



CONSTRUCTION OPTIONS

KEY	PART NAME	STANDARD FITTED	BRONZE FITTED	ALL IRON
1	Case	Iron	Iron	Iron
2	Impeller	Iron	Bronze	Iron
14	Shaft Sleeve	Bronze	Bronze	Stainless
25	Wear Ring	Bronze	Bronze	Steel
26	Impeller Retaining Assy	Stainless	Stainless	Stainless
32	Key	Stainless	Stainless	Stainless
38	Shaft O-Ring	BUNA	BUNA	BUNA
40	Flinger	Stainless	Stainless	Stainless
71	Adapter	Iron	Iron	Iron
73	Gasket, Case	Fiber	Fiber	Fiber
89	Mechanical Seal, Type 21 BN-CM	Standard	Standard	Standard
89A	Seal Spring Retainer	Stainless	Stainless	Stainless
H	Plug, Drain	Brass	Brass	Plated Steel

E054FJM

H14

C053F1750JM