

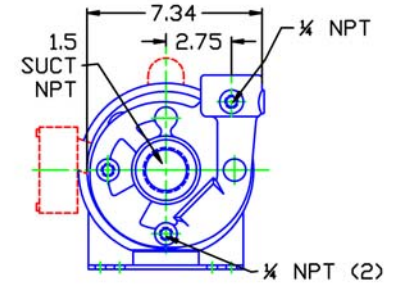
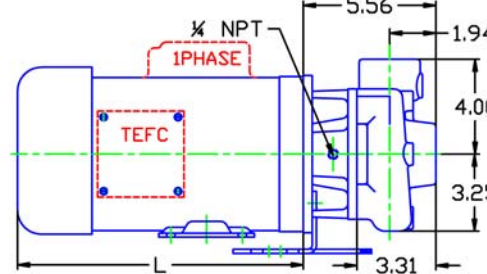
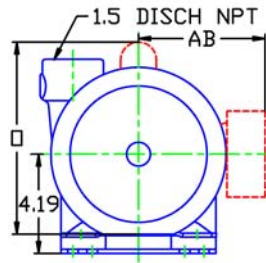
MOTOR DIMENSIONS NEMA J56 FRAME 3500 RPM

HP	ODP						TEFC					
	3 PHASE			1 PHASE			3 PHASE			1 PHASE		
	L	O	AB	L	O	AB	L	O	AB	L	O	AB
.50	8.26	6.46	3.32	9.06	8.37	3.25	9.48	7.33	5.87	9.43	8.10	5.31
.75	8.65	6.46	3.32	9.56	8.37	3.25	9.48	7.33	5.87	9.43	8.10	5.31
1.0	8.65	6.46	3.32	9.81	8.37	3.25	10.27	7.33	5.87	10.59	8.10	5.31
1.5	9.04	6.46	3.32	10.31	8.37	3.25	11.06	7.33	5.87	10.59	8.10	5.31
2.0	9.44	6.46	3.32	10.31	8.37	3.25	11.85	7.33	5.87	11.77	8.10	5.31

Motors are Standard Efficient with the exception of the 1 - 2HP 3phase TEFC that are Premium Efficient.

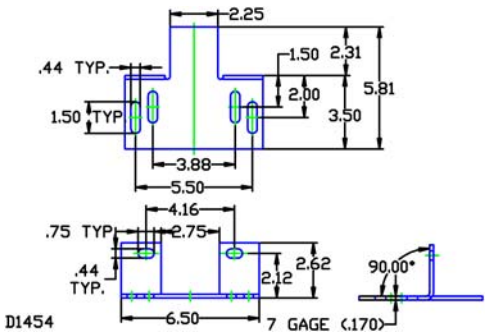
D051J56

DRAWING DEPICTS 56J 1PHASE MOTOR



ALL DIMENSIONS IN INCHES.

DRAWING REPRESENTS APPROXIMATE PUMP DIMENSIONS. AUTOCAD DRAWING TO SCALE AVAILABLE FROM FACOTRY.



D1454

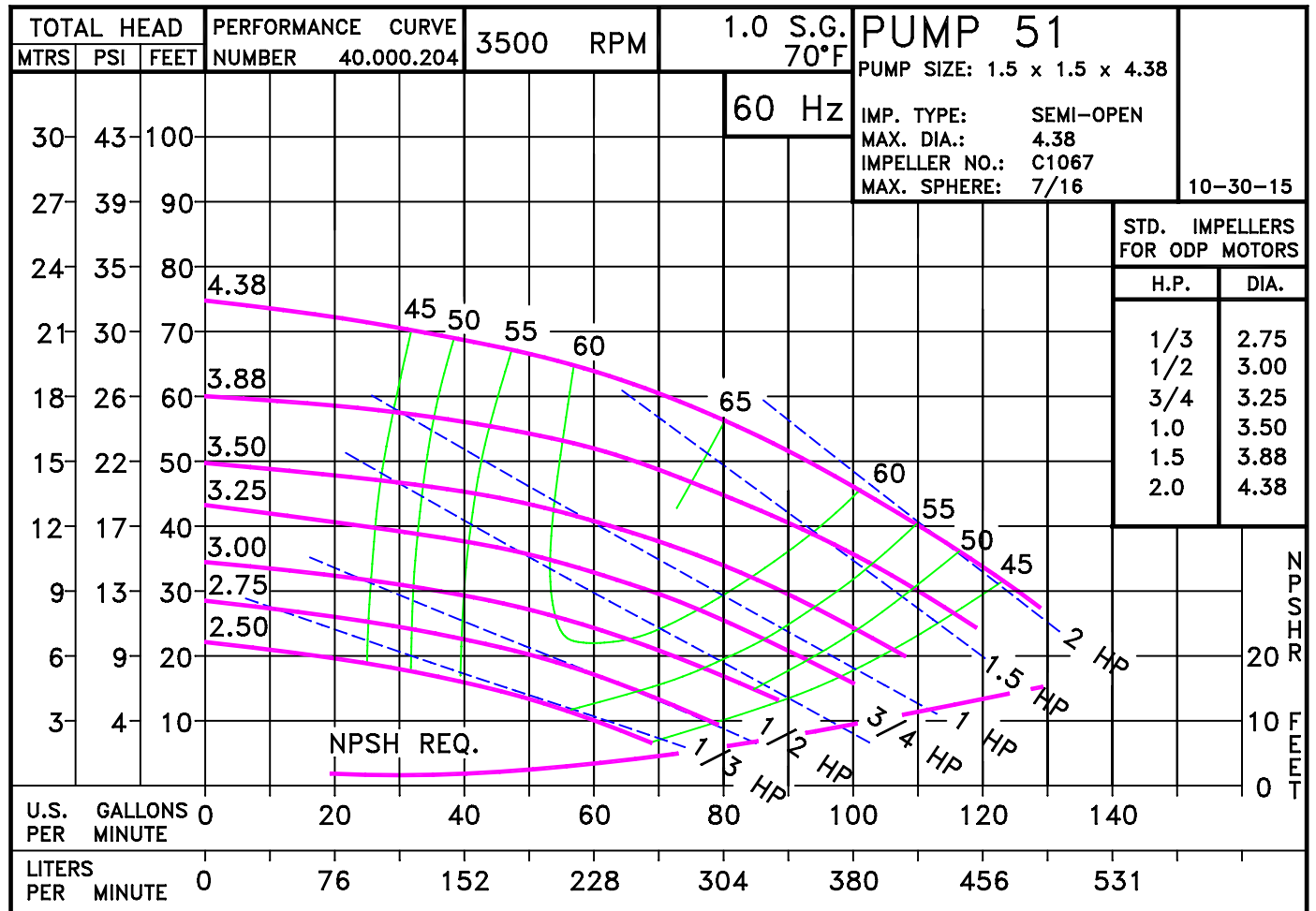


D1454
05107DP

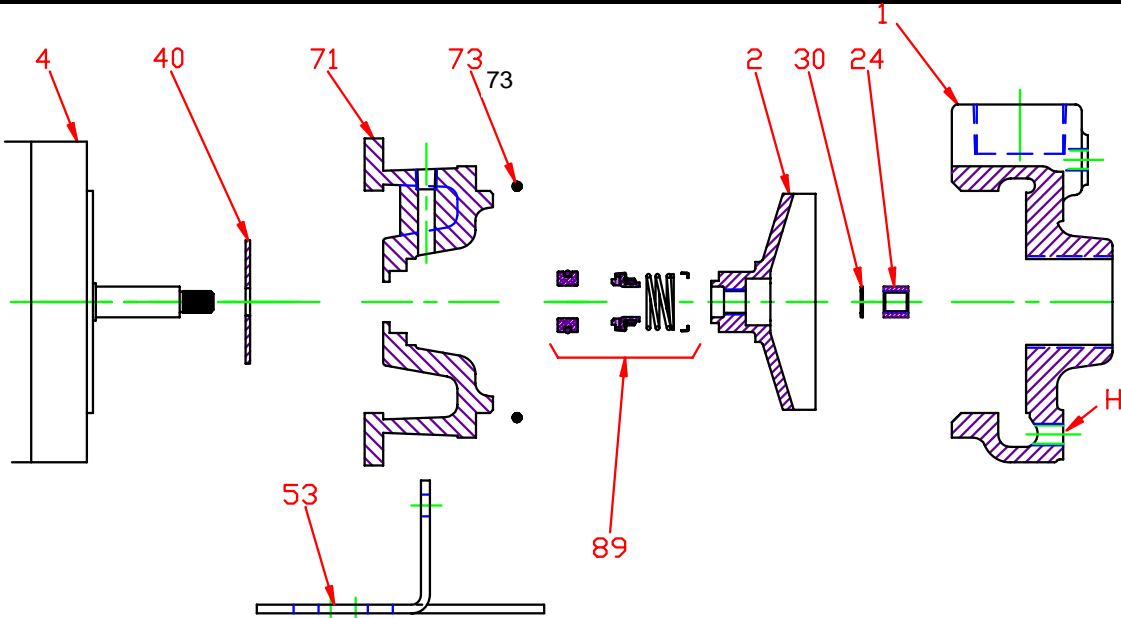
D051J56
0513500

51 J56

0513500J56
81.001.124 C16



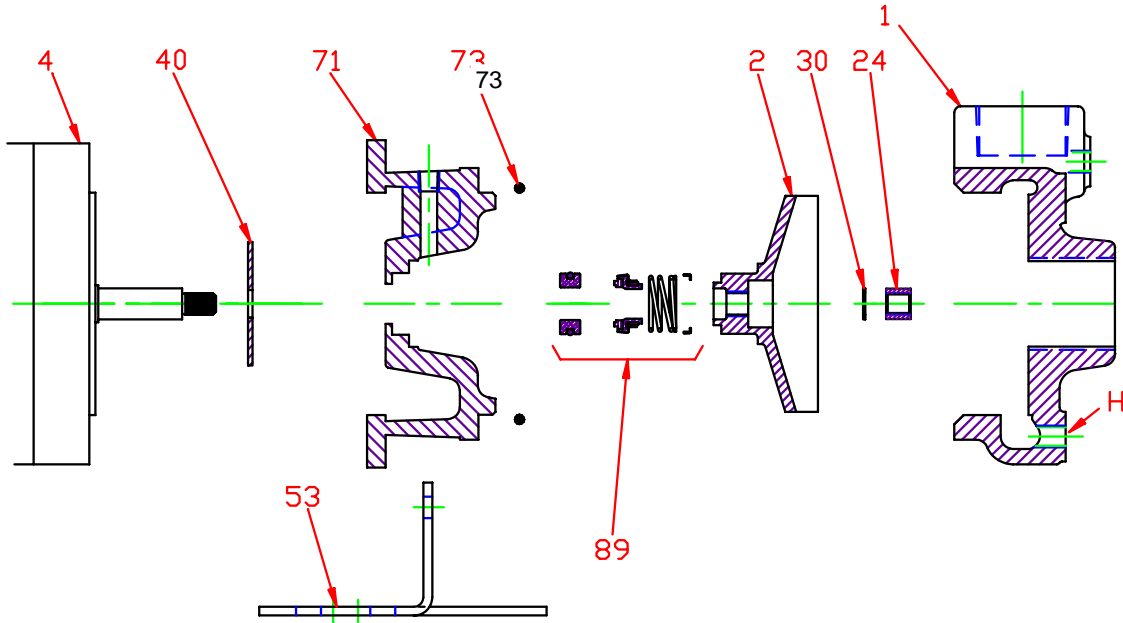
Pump 51 • Iron • J56 Frame • 3500 RPM



KEY NO.	PART NAME	PUMP 51		
1	CASE, IRON, 1.5 x 1.5 NPT	130.000.177X		
2	IMPELLER, 7/16" THREADED, SEMI-OPEN, SPECIFY DIAMETER:			
	IRON	137.000.118		
	BRONZE	137.000.119		
4	MOTOR:			
	J56, ROUND BODY	See Chart		
	J56, 3.5" RIGID BASE	See Chart		
24*+	NUT, STAINLESS	105.000.465		
30*+	D WASHER, STAINLESS	104.000.168		
40*	FLINGER, NEOPRENE	104.000.171		
53	BASE, STEEL	119.000.231A		
71	ADAPTER, IRON	132.000.207X		
73*	GASKET, CASE, BUNA	116.000.141		
89*	5/8" SEALS:			
	NO RETAINER: (not shown)			
	TYPE 6, BN-CARB/CM		101.000.110	
	WITH RETAINER:			
	TYPE 21, VN-CARB/CM		101.000.103	
	TYPE 21, VN-CARB/SIL		101.000.120	
	TYPE 21, VN-SIL/SIL		101.000.239	
TYPE 21, EPDM-CARB/CM		101.000.327		
TYPE 21, EPDM-CARB/SIL		101.000.173		
TYPE 21, EPDM-SIL/SIL		101.000.236		
--	REPAIR KITS:			
			3 PHASE:	
	BN-CARB/CM SEAL		118.000.341	† 1 PHASE:
	VN-CARB/CM SEAL		118.000.341A	118.000.341.1
	VN-CARB/SIL SEAL		118.000.341B	118.000.341B.1
	VN-SIL/SIL SEAL		118.000.341F	118.000.341F.1
	EPDM-CARB/CM SEAL		118.000.341G	118.000.341G.1
EPDM-CARB/SIL SEAL		118.000.341C	118.000.341C.1	
EPDM-SIL/SIL SEAL		118.000.341D	118.000.341D.1	

* DENOTES COMPONENTS INCLUDED IN REPAIR KIT.
 + NOT REQUIRED ON 1/3 TO 1-1/2 HP 1 PHASE MOTORS.
 † USE 3 PHASE KIT ON 2-3 HP 1 PHASE MOTORS.

Pump 51 • Iron • J56 Frame • 3500 RPM



CONSTRUCTION OPTIONS				
KEY	PART NAME	STANDARD FITTED	BRONZE FITTED	ALL IRON
1	Case	Iron	Iron	Iron
2	Impeller	Iron	Bronze	Iron
24	Impeller Locknut	Stainless	Stainless	Stainless
30	D-Washer	Stainless	Stainless	Stainless
40	Flinger	Neoprene	Neoprene	Neoprene
53	Base	Steel	Steel	Steel
71	Adapter	Iron	Iron	Iron
73	Gasket, Case	Buna	Buna	Buna
89	Mechanical Seal, Type 6 BN-CM	Standard	Standard	Standard
H	Plug, Drain	Brass	Brass	Plated