

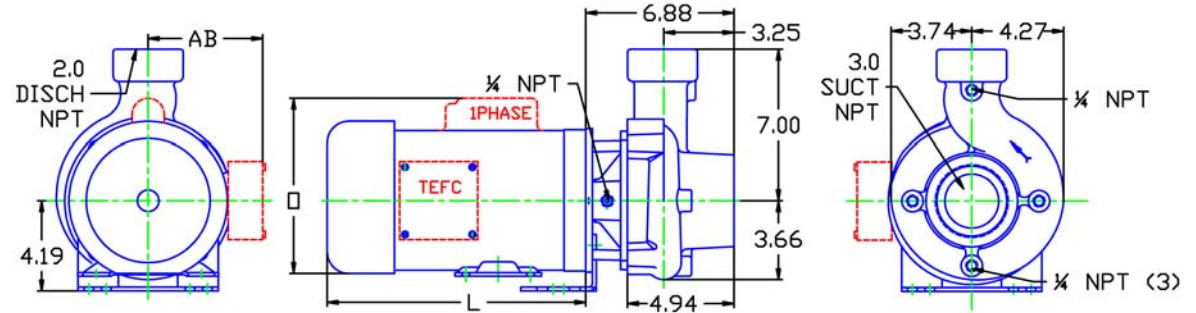
MOTOR DIMENSIONS
NEMA J56 FRAME 3500 RPM

HP	ODP						TEFC					
	3 PHASE			1 PHASE			3 PHASE			1 PHASE		
	L	O	AB	L	O	AB	L	O	AB	L	O	AB
.75	8.65	6.46	3.32	9.56	8.37	3.25	9.48	7.33	5.87	9.43	8.10	5.31
1.0	8.65	6.46	3.32	9.81	8.37	3.25	10.27	7.33	5.87	10.59	8.10	5.31
1.5	9.04	6.46	3.32	10.31	8.37	3.25	11.06	7.33	5.87	10.59	8.10	5.31
2.0	9.44	6.46	3.32	10.31	8.37	3.25	11.85	7.33	5.87	11.77	8.10	5.31

Motors are Standard Efficient with the exception of the 1 - 2HP 3phase TEFC that are Premium Efficient.

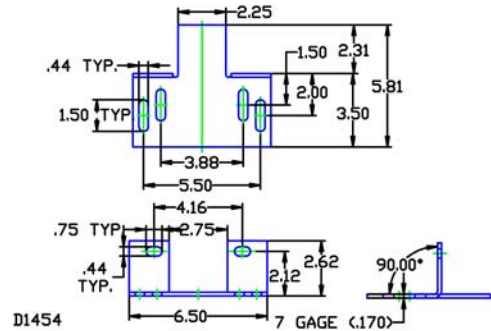
D027J56

DRAWING DEPICTS 56J 1PHASE TEFC MOTOR



ALL DIMENSIONS IN INCHES.

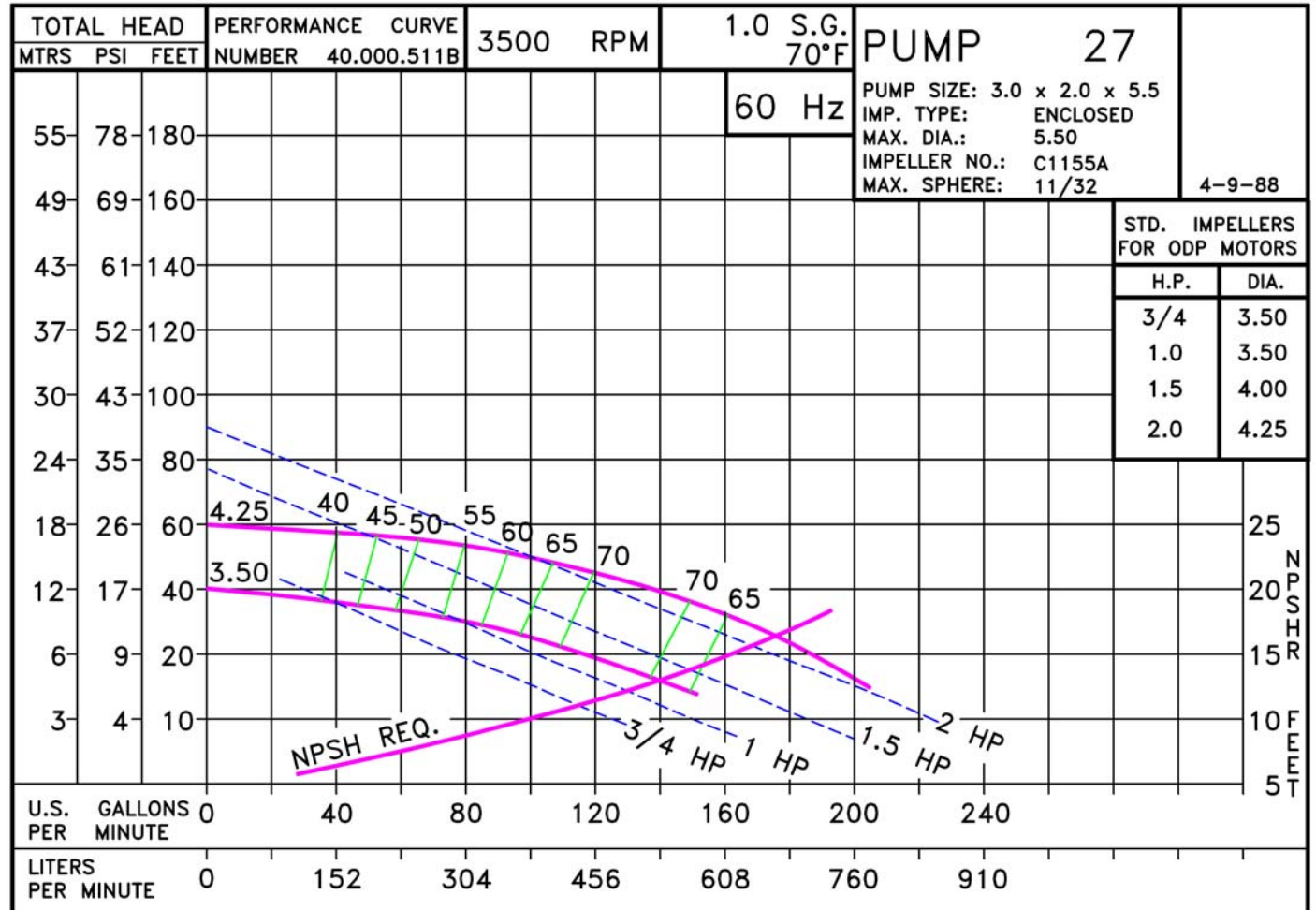
DRAWING REPRESENTS APPROXIMATE PUMP DIMENSIONS. AUTOCAD DRAWING TO SCALE AVAILABLE FROM FACTORY.



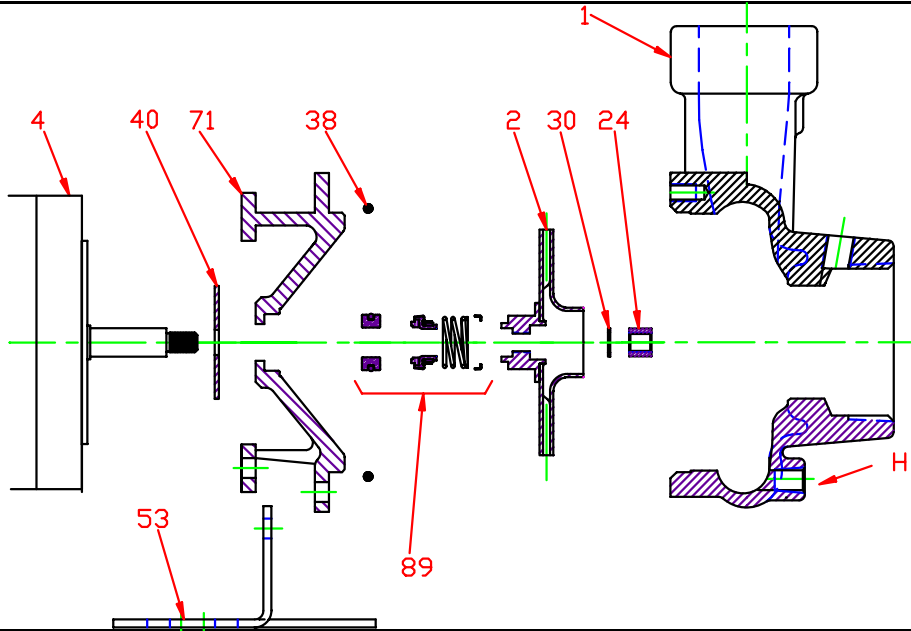
D1454 02707DP
D027J56 027J3500B

27 J56

0273500J56
81.001.246 C16



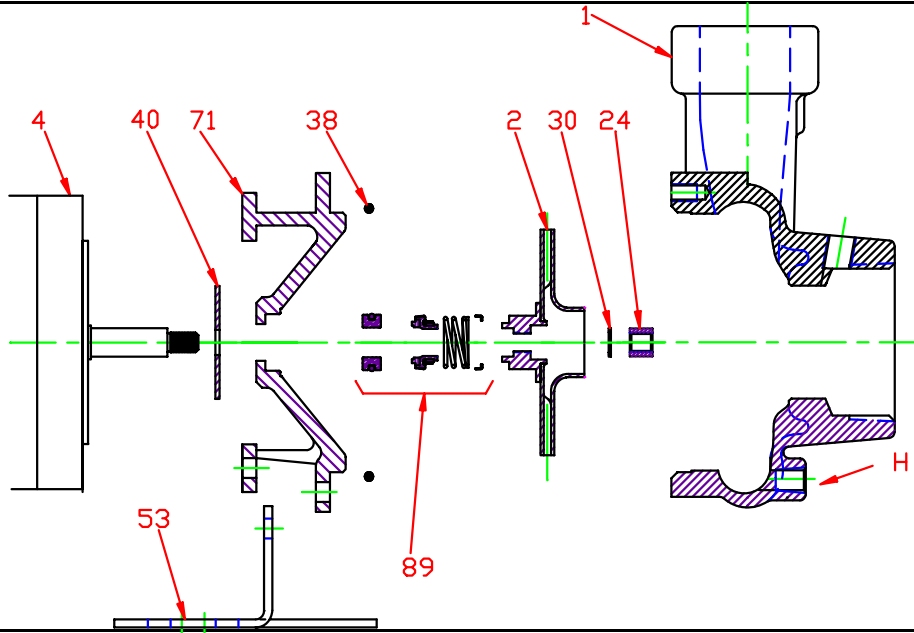
Pump 27 • Iron • J56 Frame • 3500 RPM



KEY NO.	PART NAME	PUMP 27	
1	CASE, IRON, 3 x 2 NPT	130.000.314X	
2	IMPELLER, 7/16" THREADED, ENCLOSED, SPECIFY DIAMETER:		
	BRONZE	137.000.324	
4	MOTOR:		
	J56, ROUND BODY J56, 3.5" RIGID BASE	See Chart See Chart	
24*+	NUT, STAINLESS	105.000.465	
30*+	D WASHER, STAINLESS	104.000.168	
40*	FLINGER, NEOPRENE	104.000.171	
53	BASE, STEEL	119.000.231A	
71	ADAPTER, IRON	132.000.337X	
73*	GASKET, CASE, BUNA	116.000.146	
89*	5/8" SEALS:		
	NO RETAINER: (not shown)		
	TYPE 6, BN-CARB/CM	101.000.110	
	WITH RETAINER:		
	TYPE 21, VN-CARB/CM	101.000.103	
	TYPE 21, VN-CARB/SIL	101.000.120	
	TYPE 21, VN-SIL/SIL	101.000.239	
TYPE 21, EPDM-CARB/SIL	101.000.173		
TYPE 21, EPDM-CARB/CM	101.000.327		
TYPE 21, EPDM-SIL/SIL	101.000.236		
--	REPAIR KITS:	3 PHASE:	† 1 PHASE:
	BN-CARB/CM SEAL	118.000.340	118.000.340.1
	VN-CARB/CM SEAL	118.000.340A	118.000.340A.1
	VN-CARB/SIL SEAL	118.000.340B	118.000.340B.1
	VN-SIL/SIL SEAL	118.000.340J	118.000.340J.1
	EPDM-CARB/SIL SEAL	118.000.340C	118.000.340C.1
	EPDM-CARB/CM SEAL	118.000.340R	118.000.340R.1
	EPDM-SIL/SIL SEAL	118.000.340D	118.000.340D.1

* DENOTES COMPONENTS INCLUDED IN REPAIR KIT.
 + NOT REQUIRED ON 1/3 TO 1-1/2 HP 1 PHASE MOTORS.
 † USE 3 PHASE KIT ON 2-3 HP 1 PHASE MOTORS.

Pump 27 • Iron • J56 Frame • 3500 RPM



CONSTRUCTION OPTIONS			
KEY	PART NAME	STANDARD FITTED	BRONZE FITTED
1	Case	Iron	Iron
2	Impeller	Bronze	Bronze
24	Impeller Locknut	Stainless	Stainless
30	D-Washer	Stainless	Stainless
40	Flinger	Neoprene	Neoprene
53	Base	Steel	Steel
71	Adapter	Iron	Iron
73	Gasket, Case	Buna	Buna
89	Mechanical Seal, Type 6 BN-CM	Standard	Standard
H	Plug, Drain	Brass	Brass

E027J56

E11

C0273500J56