

**MOTOR DIMENSIONS**

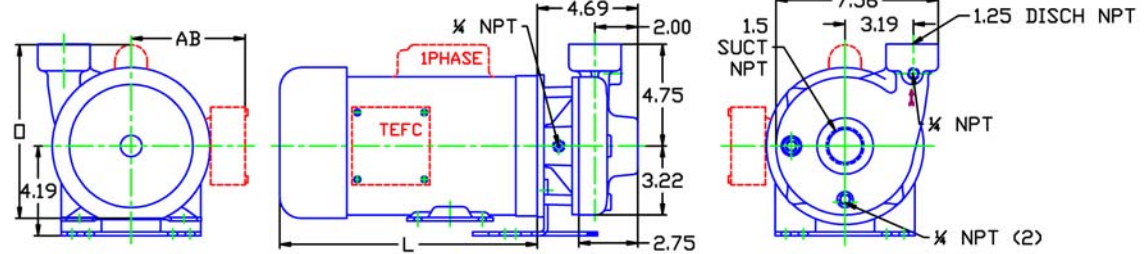
NEMA J56 FRAME 3500 RPM

HP	ODP						TEFC					
	3 PHASE			1 PHASE			3 PHASE			1 PHASE		
	L	O	AB	L	O	AB	L	O	AB	L	O	AB
.75	8.65	6.46	3.32	9.56	8.37	3.25	9.48	7.33	5.87	9.43	8.10	5.31
1.0	8.65	6.46	3.32	9.81	8.37	3.25	10.27	7.33	5.87	10.59	8.10	5.31
1.5	9.44	6.46	3.32	10.31	8.37	3.25	11.06	7.33	5.87	10.59	8.10	5.31
2.0	9.44	6.46	3.32	10.31	8.37	3.25	11.85	7.33	5.87	11.77	8.10	5.31

Motors are Standard Efficient with the exception of the 1- 2HP 3phase TEFC that are Premium Efficient.

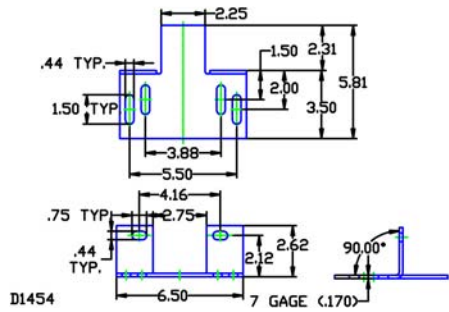
D129J56

DRAWING DEPICTS 56J 1PHASE TEFC MOTOR



**ALL DIMENSIONS IN INCHES.**

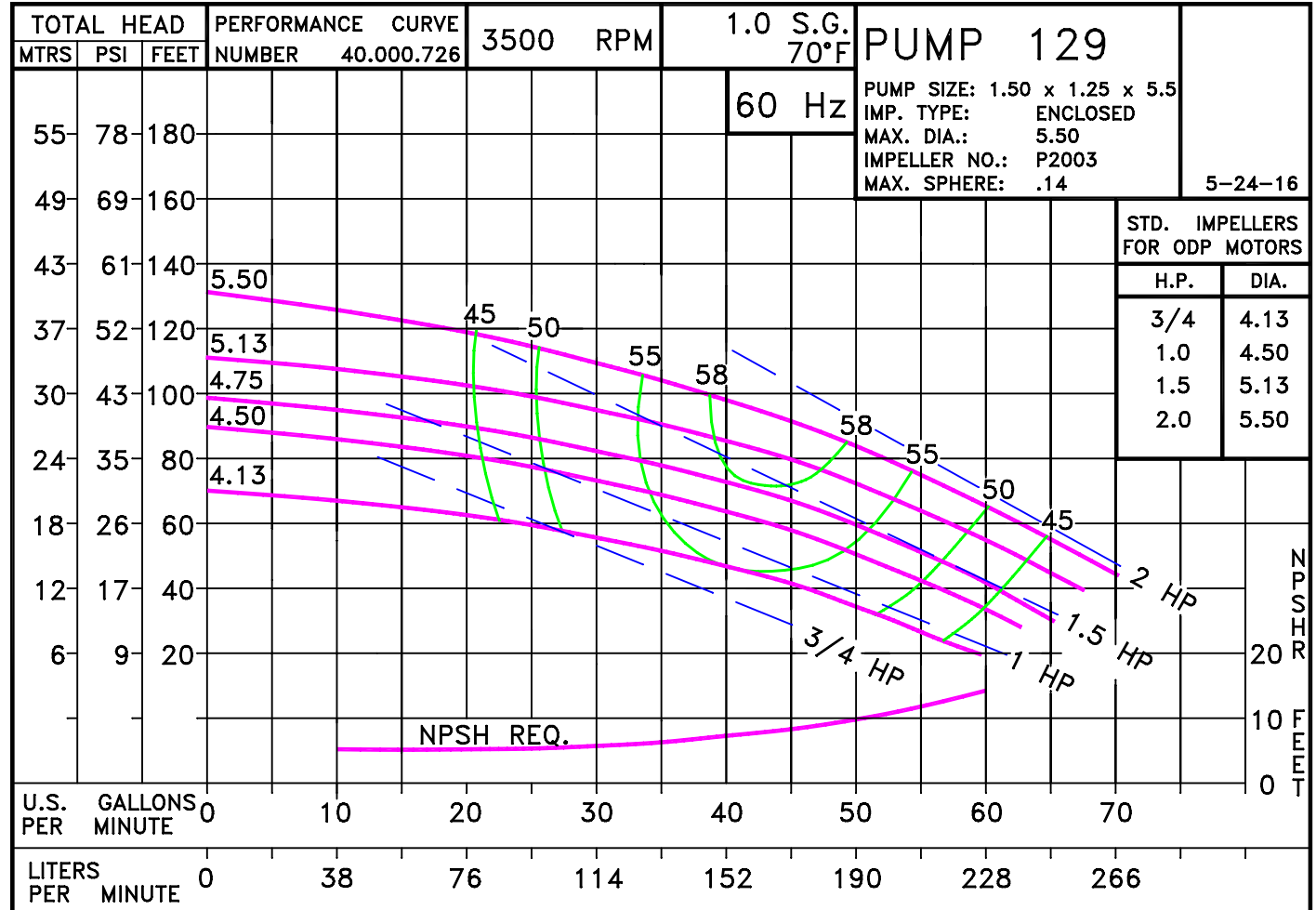
DRAWING REPRESENTS APPROXIMATE PUMP DIMENSIONS. AUTOCAD DRAWING TO SCALE AVAILABLE FROM FACTORY



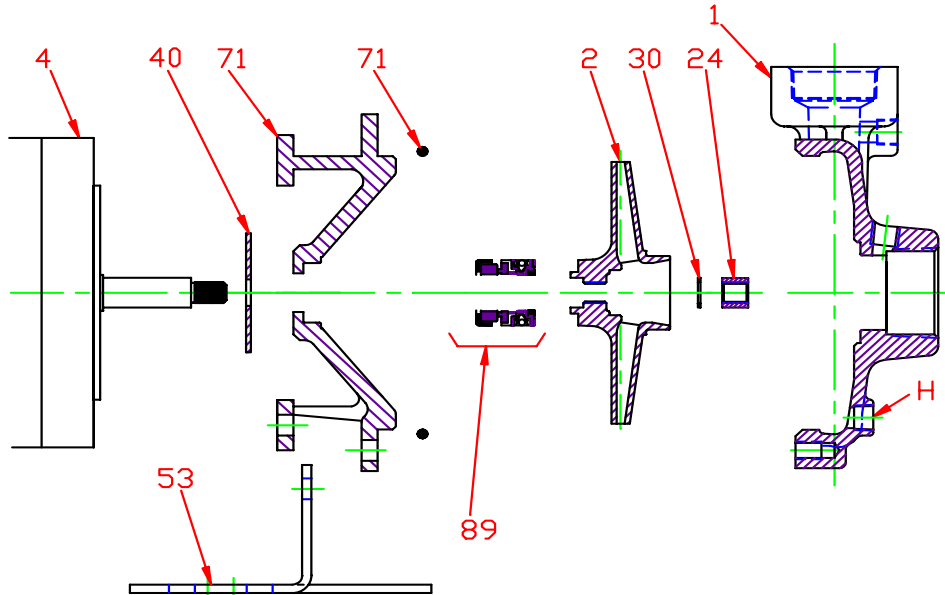
D1454 D129J56  
12907DP 1293500

**129**  
J56

1293500J56  
81.002.100 M16



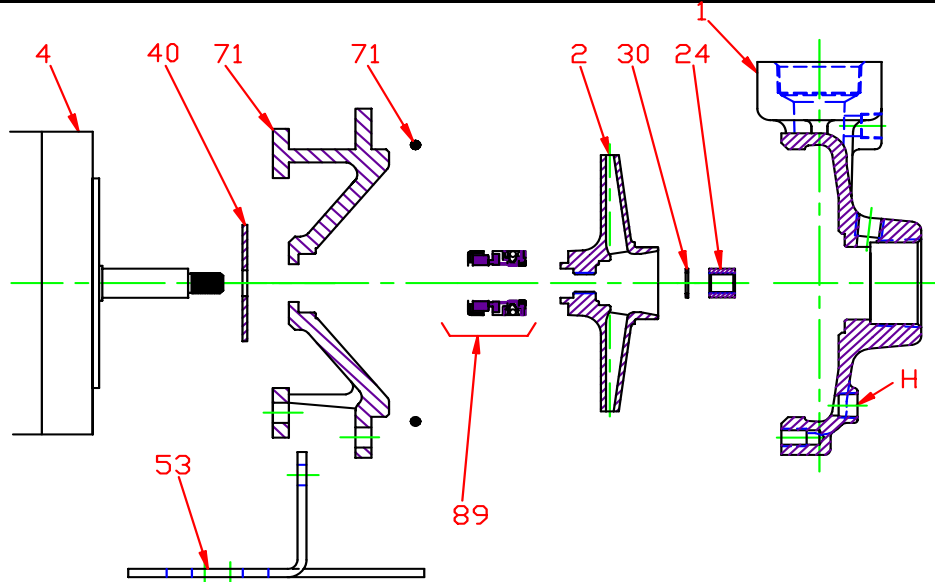
**Pump 129 • Iron • J56 Frame • 3500 RPM**



KEY NO.	PART NAME	PUMP NO. 129	
1	CASE, IRON, 1.50 x 1.25 NPT	137.002.759X	
2	IMPELLER, 7/16" THREADED, ENCLOSED, SPECIFY DIAMETER: BRONZE	137.002.672	
4	MOTOR: J56, ROUND BODY J56, 3.5" RIGID BASE	See Chart See Chart	
24*+	NUT, STAINLESS	105.000.465	
30*+	D WASHER, STAINLESS	104.000.168	
40*	FLINGER, NEOPRENE	104.000.171	
53	BASE, STEEL	119.000.231A	
71	ADAPTER, IRON	132.000.337X	
73*	GASKET, CASE, BUNA	116.000.146	
89*	5/8" SEALS: NO RETAINER: (not shown) TYPE 6, BN-CARB/CM	101.000.110	
	WITH RETAINER: TYPE 21, VN-CARB/CM	101.000.103	
	TYPE 21, VN-CARB/SIL	101.000.120	
	TYPE 21, VN-SIL/SIL	101.000.239	
	TYPE 21, EPDM-CARB/SIL	101.000.173	
	TYPE 21, EPDM-CARB/CM	101.000.327	
--	REPAIR KITS:	3 PHASE:	† 1 PHASE:
	BN-CARB/CM SEAL	118.000.340	118.000.340.1
	VN-CARB/CM SEAL	118.000.340A	118.000.340A.1
	VN-CARB/SIL SEAL	118.000.340B	118.000.340B.1
	VN-SIL/SIL SEAL	118.000.340J	118.000.340J.1
	EPDM-CARB/SIL SEAL	118.000.340C	118.000.340C.1
	EPDM-CARB/CM SEAL	118.000.340R	118.000.340R.1
	EPDM-SIL/SIL SEAL	118.000.340D	118.000.340D.1

\* DENOTES COMPONENTS INCLUDED IN REPAIR KIT.  
 + NOT REQUIRED ON 1/3 TO 1-1/2 HP 1 PHASE MOTORS.  
 † USE 3 PHASE KIT ON 2-3 HP 1 PHASE MOTORS.

**Pump 129 • Iron • J56 Frame • 3500 RPM**



CONSTRUCTION OPTIONS		
KEY	PART NAME	STANDARD FITTED
1	Case	Iron
2	Impeller	Bronze
24	Impeller Locknut	Stainless
30	D-Washer	Stainless
40	Flinger	Neoprene
53	Base	Steel
71	Adapter	Iron
73	Gasket, Case	Buna
89	Mechanical Seal, Type 6 BN-CM	Standard
H	Plug, Drain	Brass