

### MOTOR DIMENSIONS

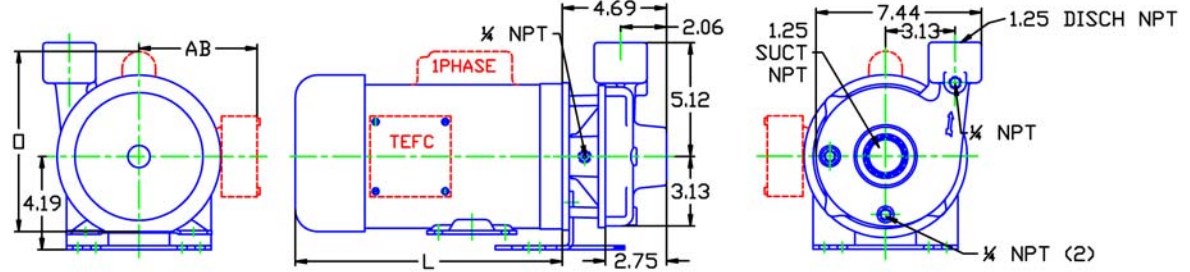
NEMA J56 FRAME 3500 RPM

HP	ODP						TEFC					
	3 PHASE			1 PHASE			3 PHASE			1 PHASE		
	L	O	AB	L	O	AB	L	O	AB	L	O	AB
.50	8.26	6.46	3.32	9.06	8.37	3.25	9.48	7.33	5.87	9.43	8.10	5.31
.75	8.65	6.46	3.32	9.56	8.37	3.25	9.48	7.33	5.87	9.43	8.10	5.31
1.0	8.85	6.46	3.32	9.81	8.37	3.25	10.27	7.33	5.87	10.59	8.10	5.31
1.5	9.04	6.46	3.32	10.31	8.37	3.25	11.06	7.33	5.87	10.59	8.10	5.31
2.0	9.44	6.46	3.32	10.31	8.37	3.25	11.85	7.33	5.87	11.77	8.10	5.31
3.0	10.22	6.46	3.32	10.84	8.37	3.25	13.03	7.33	5.87	12.16	8.10	5.31

Motors are Standard Efficient with the exception of the 1 - 3HP 3phase TEFC that are Premium Efficient.

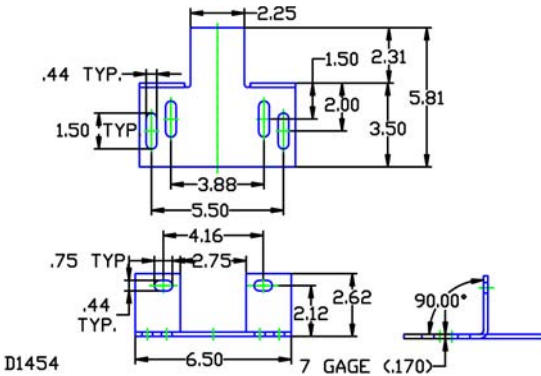
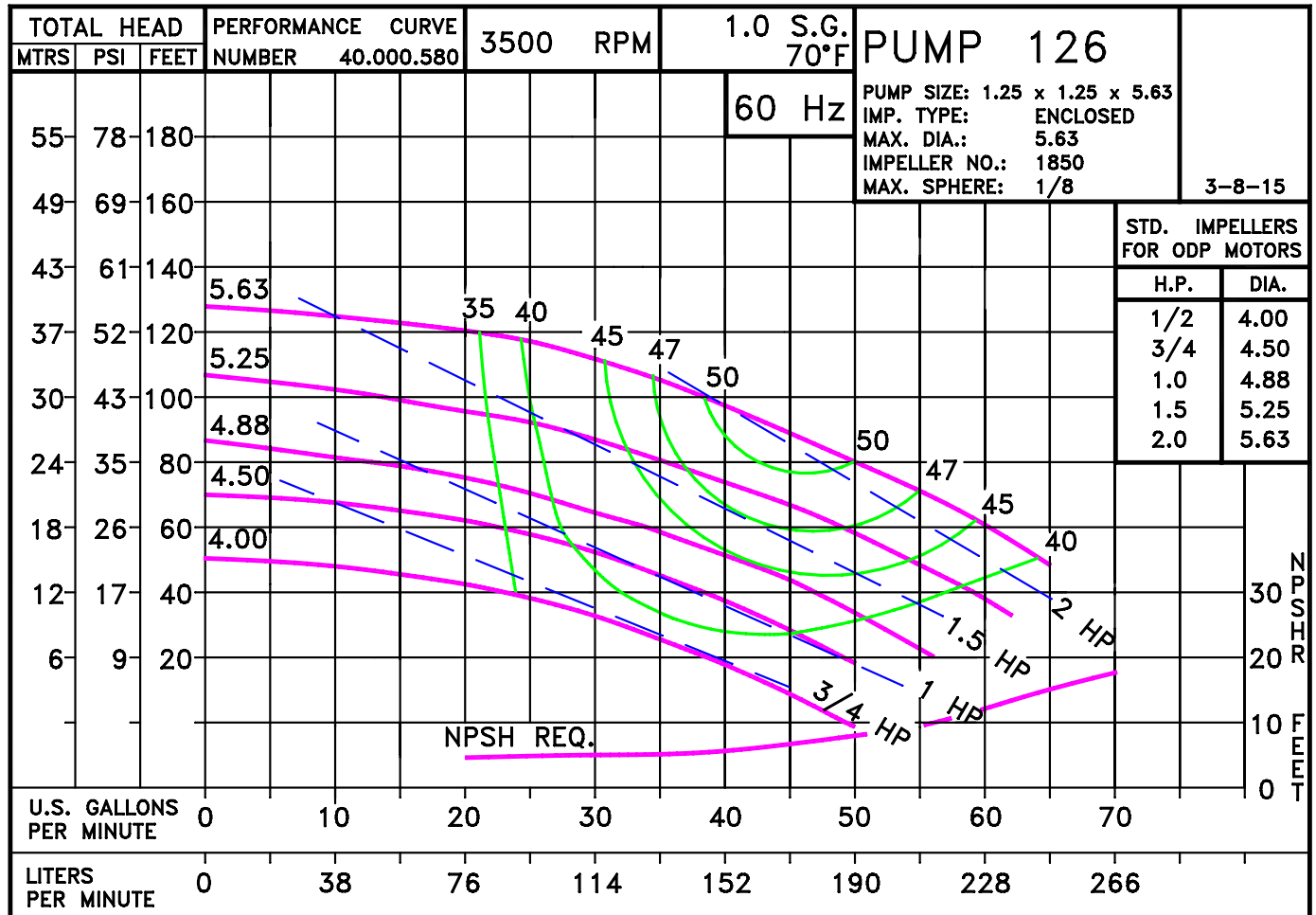
D126J56

DRAWING DEPICTS 56J 1PHASE TEFC MOTOR



ALL DIMENSIONS IN INCHES.

DRAWING REPRESENTS APPROXIMATE PUMP DIMENSIONS.

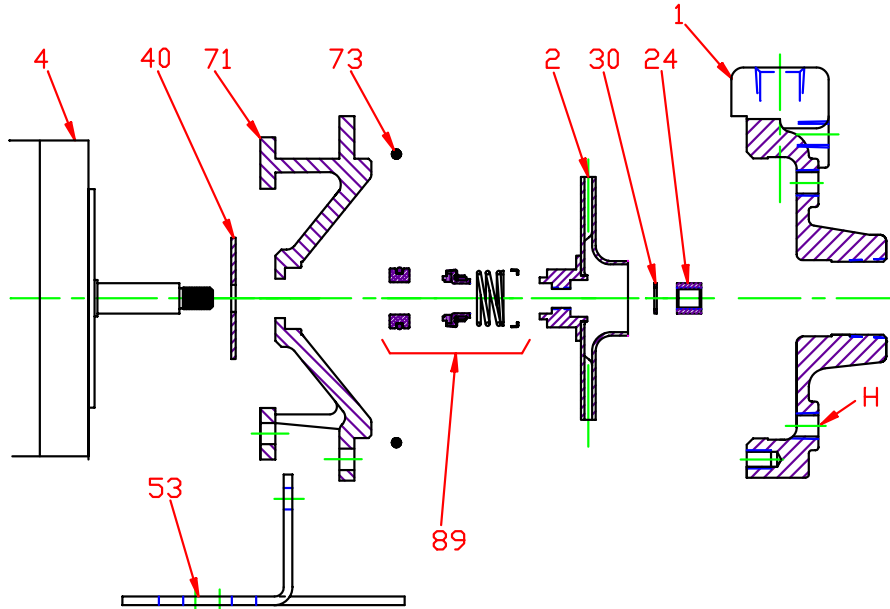


D1454 126071DP  
D126J56 1263500

# 126 J56

1263500J56  
81.001.458 C16

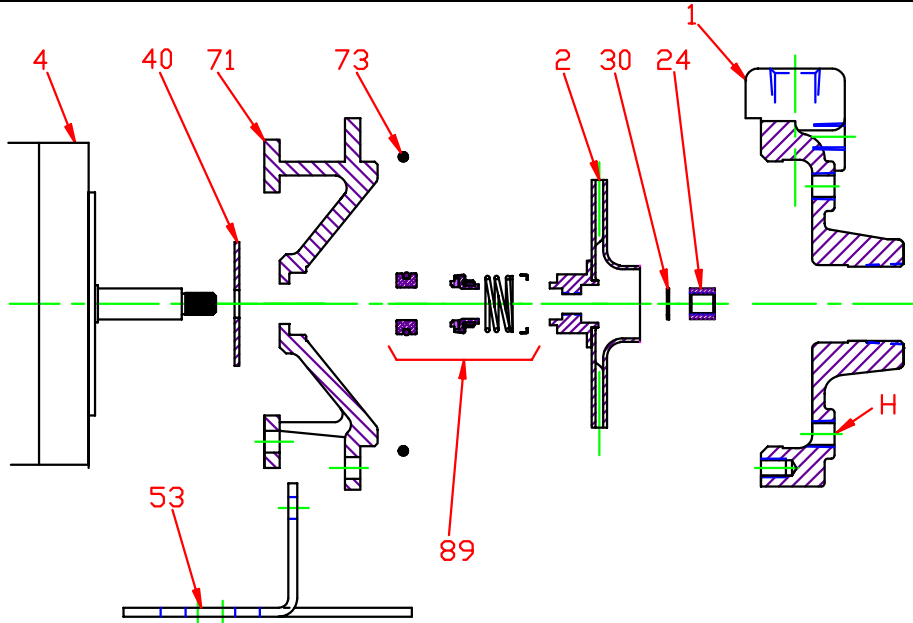
**Pump 126 • Iron • J56 Frame • 3500 RPM**



KEY NO.	PART NAME	PUMP 126	
1	CASE, IRON, 1.25 x 1.25 NPT	137.000.664X	
2	IMPELLER, STAINLESS, ENCLOSED, 7/16" THREADED:		
	4.0 DIA	131.000.763J	
	4.5 DIA	131.000.763E	
	5.0 DIA	131.000.763C	
	5.5 DIA	131.000.763H	
5.63 DIA	131.000.763A		
4	MOTOR:		
	J56, ROUND BODY J56, 3.5" RIGID BASE	See Chart See Chart	
24*+	NUT, STAINLESS	105.000.465	
30*+	D WASHER, STAINLESS	104.000.168	
40*	FLINGER, NEOPRENE	104.000.171	
53	BASE, STEEL	119.000.231A	
71	ADAPTER, IRON	132.000.337X	
73*	GASKET, CASE, BUNA	116.000.146	
89*	5/8" SEALS:		
	NO RETAINER: (not shown) TYPE 6, BN-CARB/CM	101.000.110	
	WITH RETAINER:		
	TYPE 21, VN-CARB/CM	101.000.103	
	TYPE 21, VN-CARB/SIL	101.000.120	
	TYPE 21, VN-SIL/SIL	101.000.239	
	TYPE 21, EPDM-CARB/SIL	101.000.173	
	TYPE 21, EPDM-CARB/CM	101.000.327	
TYPE 21, EPDM-SIL/SIL	101.000.236		
--	REPAIR KITS:	3 PHASE:	† 1 PHASE:
	BN-CARB/CM SEAL	118.000.340	118.000.340.1
	VN-CARB/CM SEAL	118.000.340A	118.000.340A.1
	VN-CARB/SIL SEAL	118.000.340B	118.000.340B.1
	VN-SIL/SIL SEAL	118.000.340J	118.000.340J.1
	EPDM-CARB/SIL SEAL	118.000.340C	118.000.340C.1
	EPDM-CARB/CM SEAL	118.000.340R	118.000.340R.1
	EPDM-SIL/SIL SEAL	118.000.340D	118.000.340D.1

\* DENOTES COMPONENTS INCLUDED IN REPAIR KIT.  
 + NOT REQUIRED ON 1/3 TO 1-1/2 HP 1 PHASE MOTORS.  
 † USE 3 PHASE KIT ON 2-3 HP 1 PHASE MOTORS.

**Pump 126 • Iron • J56 Frame • 3500 RPM**



CONSTRUCTION OPTIONS			
KEY	PART NAME	STANDARD FITTED	ALL IRON
1	Case	Iron	Iron
2	Impeller	Stainless	Stainless
24	Impeller Locknut	Stainless	Stainless
30	D-Washer	Stainless	Stainless
40	Flinger	Neoprene	Neoprene
53	Base	Steel	Steel
71	Adapter	Iron	Iron
73	Gasket, Case	Buna	Buna
89	Mechanical Seal, Type 6 BN-CM	Standard	Standard
H	Plug, Drain	Brass	Plated Steel

E011J56

A12

C1263500J56