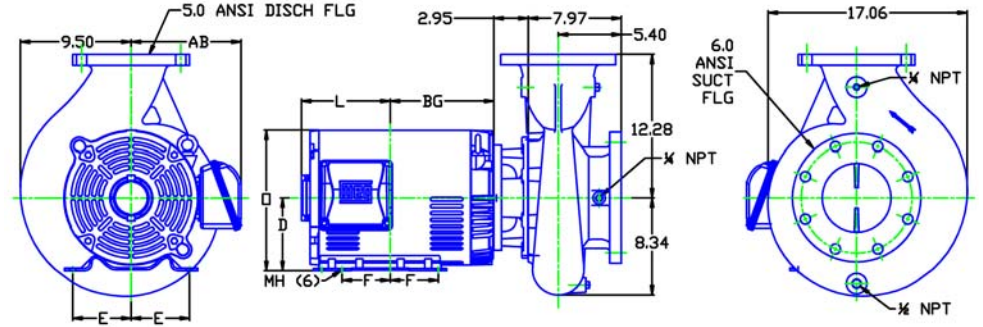


MOTOR DIMENSIONS

NEMA JM FRAME 3 PHASE 1750 RPM

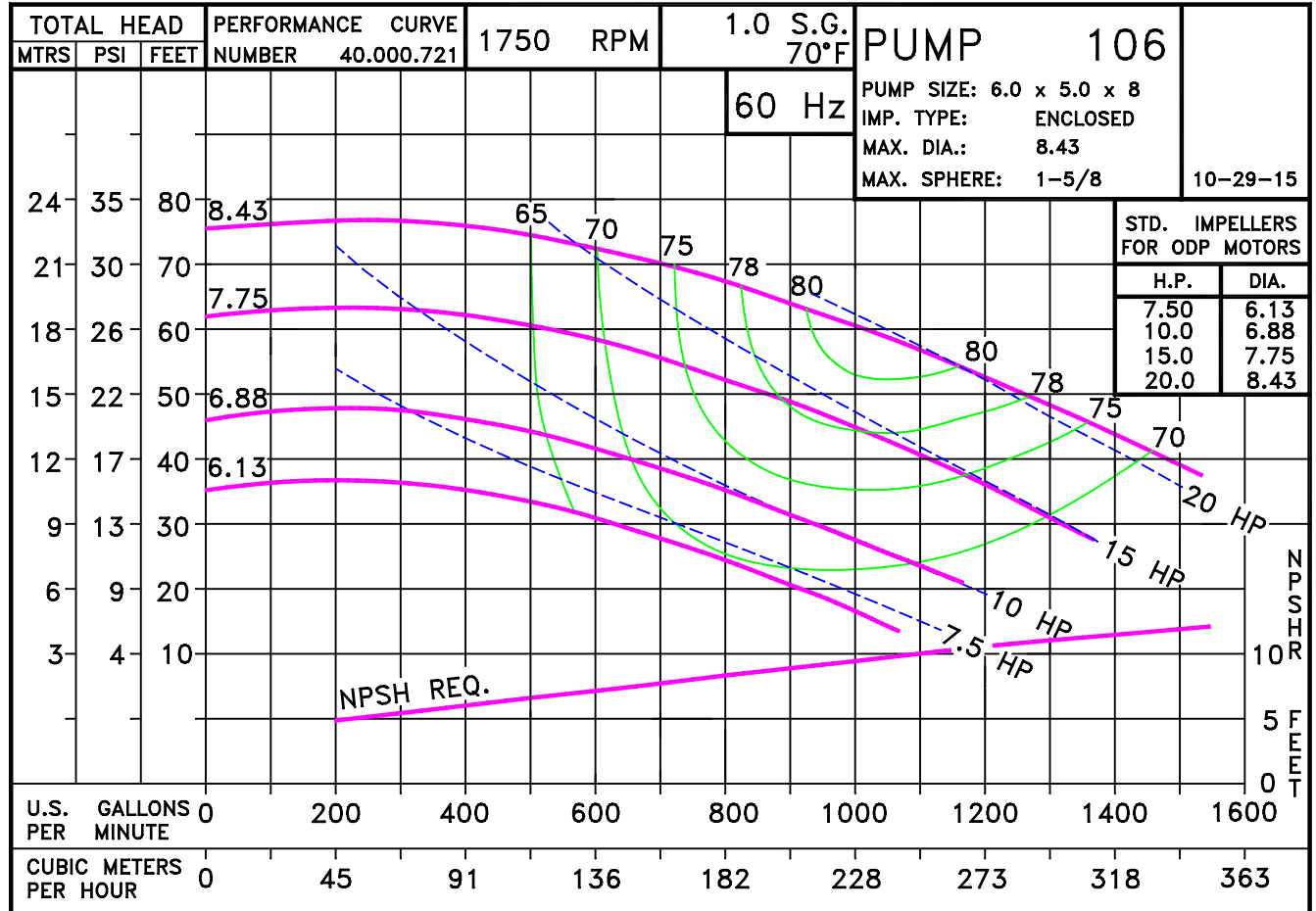
HP	Type	Frame	D	E	F	O	AB	BG	L	MH
7.5	ODP	JM213	5.25	4.25	2.75	9.19	6.75	7.03	7.34	.41
10	ODP	JM215	5.25	4.25	3.50	9.84	6.86	6.75	7.50	.41
15	ODP	JM254	6.25	5.00	4.13	12.00	9.50	8.91	7.06	.53
20	ODP	JM254	6.25	5.00	4.13	12.00	9.50	8.91	7.06	.53
7.5	TEFC	JM213	5.25	4.25	2.75	10.41	8.67	6.00	8.41	.41
10	TEFC	JM215	5.25	4.25	3.50	10.37	8.19	6.77	9.16	.41
15	TEFC	JM254	6.25	5.00	4.13	12.60	10.48	8.85	10.85	.53
20	TEFC	JM256	6.25	5.00	5.00	12.60	10348	9.25	11.73	.53

D106JM254_PRINT DRAWING DEPICTS 254 15HP ODP MOTOR



ALL DIMENSIONS IN INCHES.

DRAWING REPRESENTS APPROXIMATE PUMP DIMENSIONS. AUTOCAD DRAWING TO SCALE AVAILABLE FROM FACTORY.



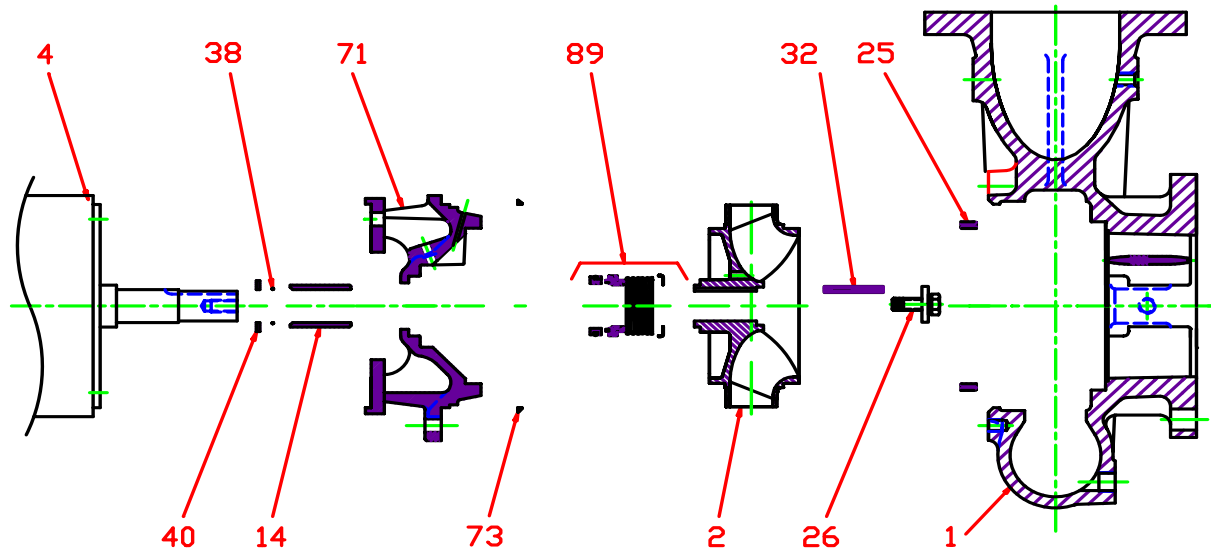
10620DP

D106JM254
1061750

106
JM

1061750JM
81.002.183 G16

Pump 106 • Iron • JM Frame • 1750 RPM



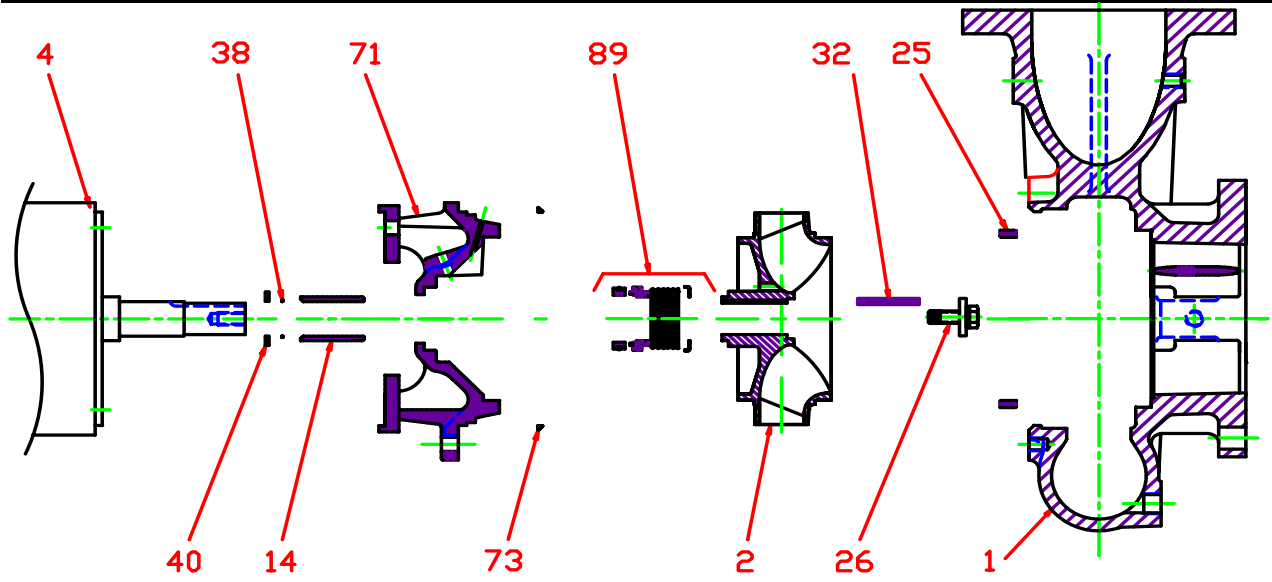
KEY NO.	PART NAME	PUMP NO. 106	
		7.5 - 10 HP	15 - 20 HP
1+	CASE, IRON, 6 x 5 FLG	137.002.597X	
2	IMPELLER, IRON, 1 1/4" KEYED, ENCLOSED	7/8" KEYED	1 1/4" KEYED
	SPECIFY DIAMETER	137.002.598	137.002.715
	6.13"	137.002.598A	--
	Contact factory for 6.13"-6.75" diameters		
4	MOTOR, JM210	See Chart	--
	MOTOR, JM250	--	See Chart
14*	SHAFT SLEEVE, BRONZE	110.000.215	110.000.366
	SHAFT SLEEVE, STAINLESS	110.000.313	110.000.365
25	WEAR RING, BRONZE	103.000.204	
	WEAR RING, STEEL	103.000.186	
26*	IMPELLER RETAINER, STAINLESS	118.000.163A	118.000.640
32*	KEY, STAINLESS	102.000.256	102.000.257
38*	O-RING, SHAFT, BUNA	116.000.117	116.000.218
	O-RING, SHAFT, VITON	116.000.105	116.000.218A
40*	FLINGER, STAINLESS	104.000.256	104.000.200
71	ADAPTER, IRON, JM210	137.002.599X	--
	ADAPTER, IRON, JM250	--	137.002.716X
73*	GASKET, CASE, FIBER	116.000.261	
89*	SEALS:	1 1/2"	1 3/4"
	BN-CARB/CM	101.000.168	101.000.196
	VN-CARB/CM	101.000.191	101.000.216
	VN-CARB/SIL	101.000.175	101.000.221
	VN-SIL/SIL	101.000.204	101.000.231
	EPDM-CARB/SIL	101.000.175B	101.000.196B
	EPDM-SIL/SIL	101.000.204A	137.001.555
--	° REPAIR KITS:		
	BN-CARB/CM SEAL	118.000.655	118.000.672
	VN-CARB/CM SEAL (S)	118.000.655A	118.000.672A
	VN-CARB/CM SEAL	118.000.655D	118.000.672D
	VN-CARB/SIL SEAL	118.000.655B	118.000.672B
	VN-SIL/SIL SEAL (S)	118.000.655E	118.000.672E
	EPDM-CARB/SIL SEAL	118.000.655C	118.000.672C
	EPDM-SIL/SIL SEAL	118.000.655F	118.000.672F

* DENOTES COMPONENTS INCLUDED IN REPAIR KIT.

+ INCLUDES BRONZE WEAR RING. FOR STEEL WEAR RING, REPLACE SUFFIX "X" WITH "X1".

° THE REPAIR KIT INCLUDES THE BRONZE SHAFT SLEEVE EXCEPT THE (S) INDICATED, WHICH IS STAINLESS.

Pump 106 • Iron • JM Frame • 1750 RPM



CONSTRUCTION OPTIONS			
KEY	PART NAME	STANDARD FITTED	ALL IRON
1	Case	Iron	Iron
2	Impeller	Iron	Iron
14	Shaft Sleeve	Bronze	Stainless
25	Wear Ring, Case	Bronze	Steel
26	Impeller Retainer	Stainless	Stainless
32	Key	Stainless	Stainless
38	Shaft O-Ring	BUNA	BUNA
40	Flinger	Stainless	Stainless
71	Adapter	Iron	Iron
73	Gasket, Case	Fiber	Fiber
89	Mechanical Seal, Type 21 BN-CM	Standard	Standard
H	Plug, Drain	Brass	Plated Steel

E106JM

K15

C1061750JM