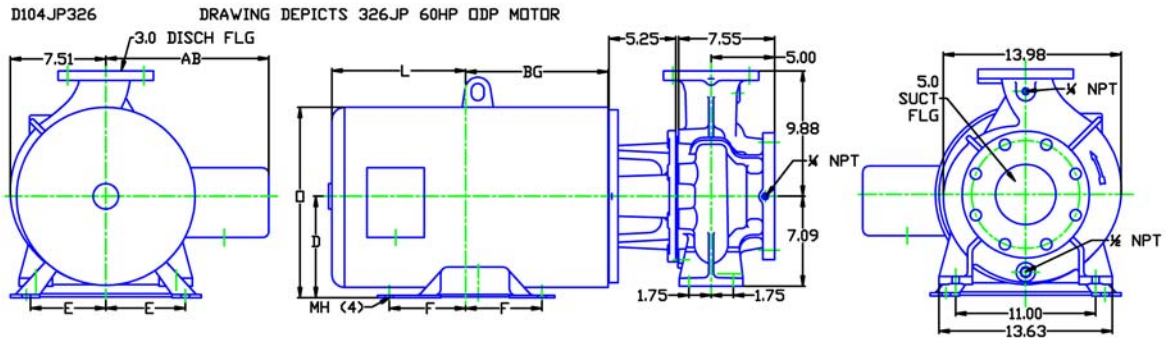


### MOTOR DIMENSIONS

#### NEMA PREMIUM EFFICIENT JP FRAME 3 PHASE 3500 RPM

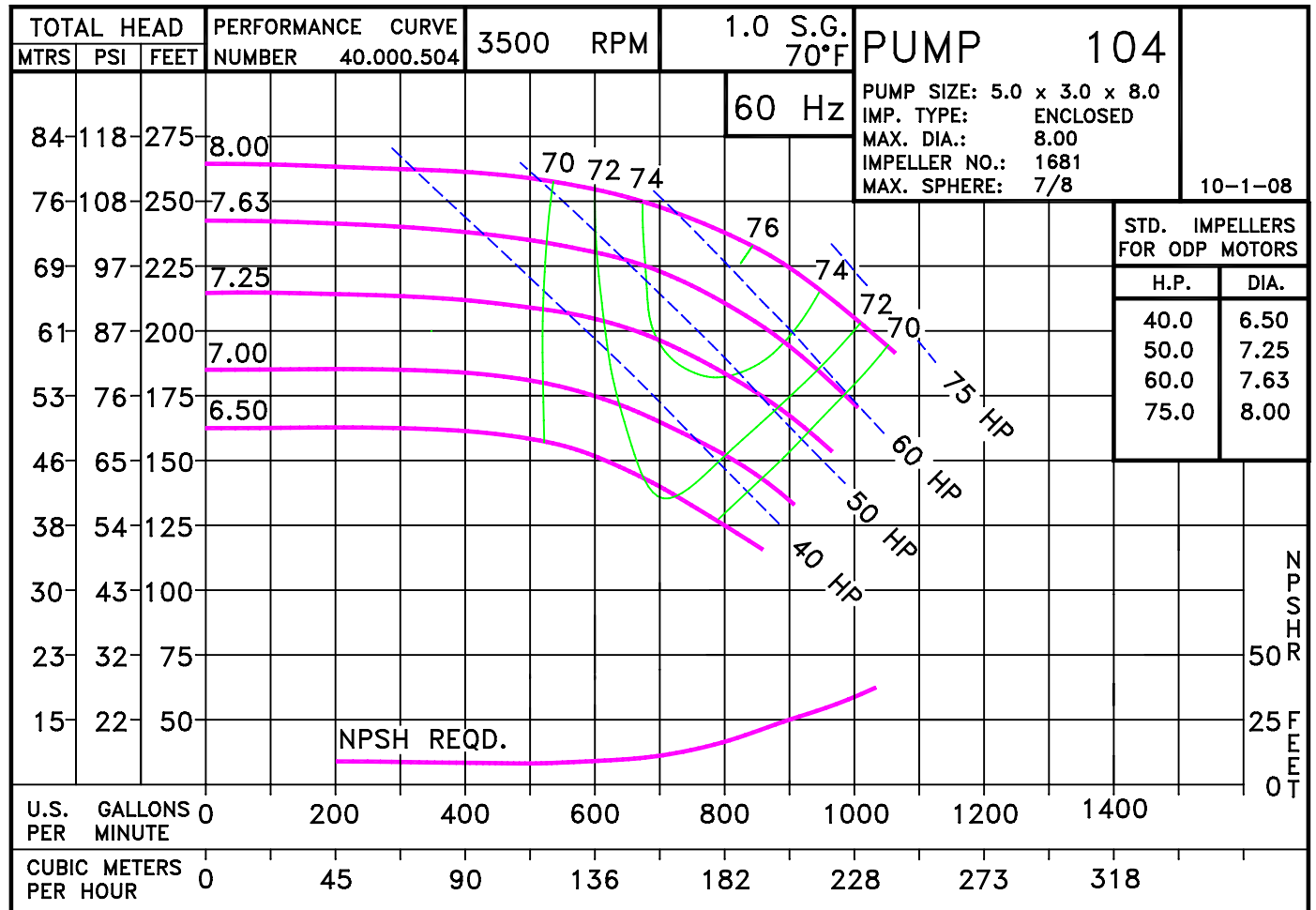
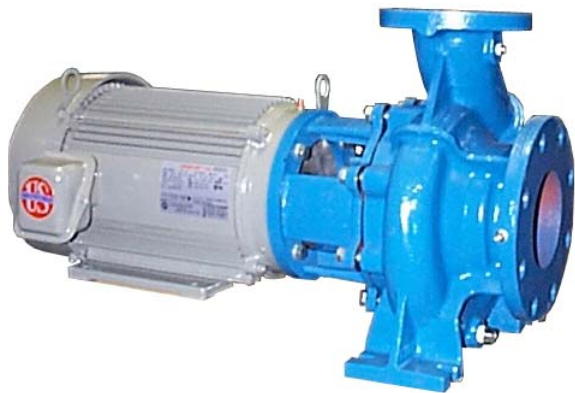
| HP | Type | Frame   | D    | E    | F    | O     | AB    | BG    | L     | MH   |
|----|------|---------|------|------|------|-------|-------|-------|-------|------|
| 40 | ODP  | JP286   | 6.97 | 5.50 | 5.50 | 13.07 | 11.37 | 10.28 | 10.78 | 0.53 |
| 50 | ODP  | JP324   | 8.00 | 6.25 | 5.25 | 15.59 | 13.20 | 10.53 | 10.90 | 0.66 |
| 60 | ODP  | JP326   | 8.00 | 6.25 | 6.00 | 14.63 | 12.21 | 11.29 | 11.15 | 0.66 |
| 75 | ODP  | TCZ364* | 9.00 | 7.00 | 5.63 | 16.52 | 13.20 | 11.54 | 10.52 | 0.66 |
| 40 | TEFC | JP286   | 7.00 | 5.50 | 5.50 | 14.11 | 11.07 | 10.02 | 13.04 | 0.53 |
| 50 | TEFC | JP326   | 8.00 | 6.25 | 6.00 | 15.93 | 12.58 | 11.00 | 14.60 | 0.66 |
| 60 | TEFC | JP326   | 8.00 | 6.25 | 6.00 | 15.93 | 12.58 | 11.00 | 14.60 | 0.66 |
| 75 | TEFC | TCZ364* | 9.00 | 7.00 | 5.63 | 18.38 | 15.00 | 11.54 | 13.87 | 0.66 |



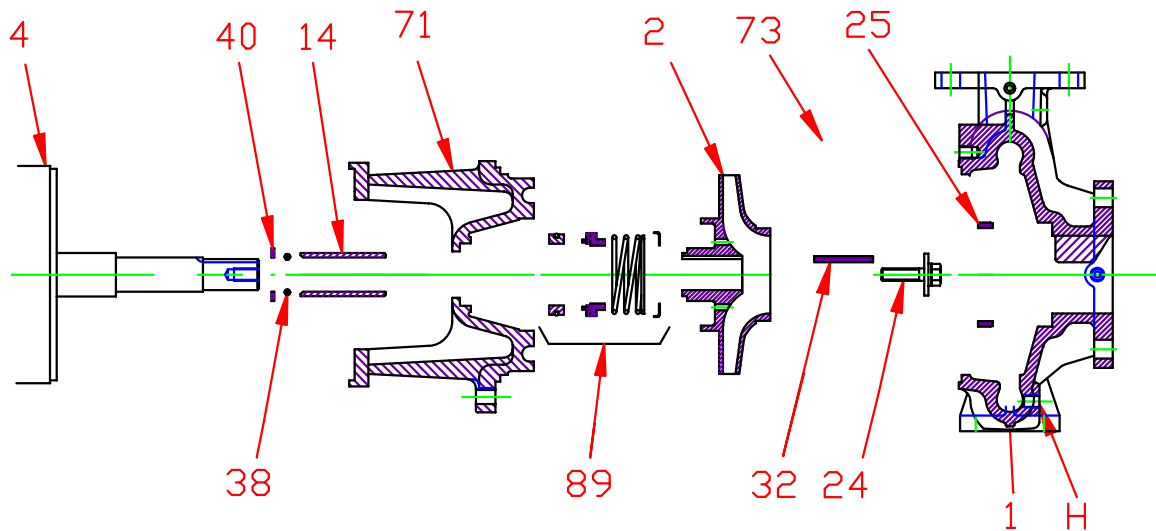
ALL DIMENSIONS IN INCHES.

DRAWING REPRESENTS APPROXIMATE PUMP DIMENSIONS. AUTOCAD DRAWINGS TO SCALE AVAILABLE FROM FACTORY

\*JP326 Shaft



# Pump 104 • Iron • JP Frame • 3500 RPM



| KEY NO. | PART NAME                                                | PUMP NO. 104                 |
|---------|----------------------------------------------------------|------------------------------|
| 1+      | CASE, IRON, 5 x 3 FLG                                    | 130.000.310X                 |
| 2       | IMPELLER, 1¼" KEYED, ENCLOSED, SPECIFY DIAMETER:<br>IRON | 137.000.148                  |
| 4       | MOTOR, JP280/320<br>MOTOR, JP360                         | See Chart<br>See Chart       |
| 14*     | SHAFT SLEEVE, BRONZE<br>SHAFT SLEEVE, STAINLESS          | 110.000.398<br>110.000.360   |
| 25      | WEAR RING, BRONZE<br>WEAR RING, STEEL                    | 103.000.202<br>103.000.185   |
| 26*     | IMPELLER RETAINER, STAINLESS                             | 118.000.640                  |
| 32*     | KEY, STAINLESS                                           | 102.000.282                  |
| 38*     | O-RING, SHAFT, BUNA<br>O-RING, SHAFT, VITON              | 116.000.218<br>116.000.218A  |
| 40*     | FLINGER, STAINLESS                                       | 104.000.200                  |
| 71      | ADAPTER, IRON, JP280/320/360                             | 137.000.553                  |
| 73*     | GASKET, CASE, FIBER                                      | 116.000.261                  |
| 89*     | 1¼" SEALS:                                               |                              |
|         | BN-CARB/CM                                               | 101.000.196                  |
|         | VN-CARB/CM                                               | 101.000.216                  |
|         | VN-CARB/NR                                               | 101.000.221                  |
|         | VN-SIL/SIL                                               | 101.000.231                  |
|         | EPDM-CARB/NR<br>EPDM-SIL/SIL                             | 101.000.196B<br>137.001.555  |
| --      | ° REPAIR KITS:                                           |                              |
|         | BN-CARB/CM SEAL                                          | 118.000.412                  |
|         | VN-CARB/CM SEAL (S)                                      | 118.000.412A                 |
|         | VN-CARB/SILSEAL                                          | 118.000.412B                 |
|         | VN-SIL/SIL SEAL (S)                                      | 118.000.412E                 |
|         | EPDM-CARB/SIL SEAL<br>EPDM-SIL/SIL SEAL                  | 118.000.412C<br>118.000.412F |

\* DENOTES COMPONENTS INCLUDED IN REPAIR KIT.

+ INCLUDES BRONZE WEAR RING. FOR STEEL WEAR RING, REPLACE SUFFIX "X" WITH "X1".

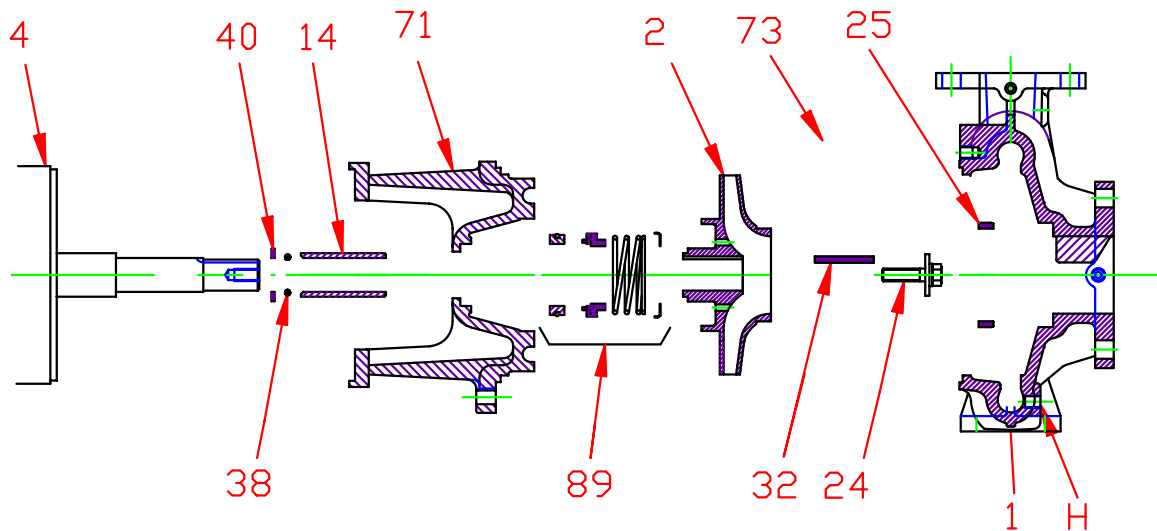
° THE REPAIR KIT INCLUDES THE BRONZE SHAFT SLEEVE EXCEPT THE (S) INDICATED, WHICH IS STAINLESS.

E103JP

M15

P1043500JP

**Pump 104 • Iron • JP Frame • 3500 RPM**



**CONSTRUCTION OPTIONS**

| KEY | PART NAME                      | STANDARD FITTED | ALL IRON     |
|-----|--------------------------------|-----------------|--------------|
| 1   | Case                           | Iron            | Iron         |
| 2   | Impeller                       | Iron            | Iron         |
| 14  | Shaft Sleeve                   | Bronze          | Stainless    |
| 25  | Wear Ring, Case                | Bronze          | Steel        |
| 26  | Impeller Retainer              | Stainless       | Stainless    |
| 32  | Key                            | Stainless       | Stainless    |
| 38  | Shaft O-Ring                   | BUNA            | BUNA         |
| 40  | Flinger                        | Stainless       | Stainless    |
| 71  | Adapter                        | Iron            | Iron         |
| 73  | Gasket, Case                   | Fiber           | Fiber        |
| 89  | Mechanical Seal, Type 21 BN-CM | Standard        | Standard     |
| H   | Plug, Drain                    | Brass           | Plated Steel |

E103JP

C15

C1043500JP