

60 HERTZ, 3 X 2 X 8 ANSI Flanged

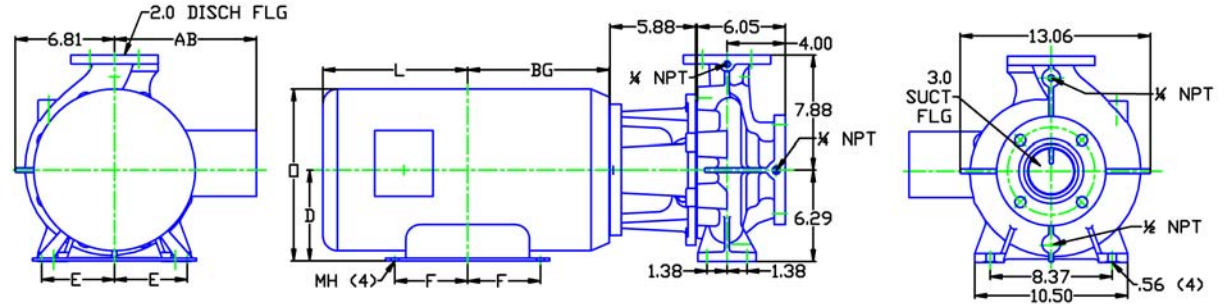
MOTOR DIMENSIONS

NEMA PREMIUM EFFICIENT JP FRAME 3 PHASE 3500 RPM

HP	Type	Frame	D	E	F	O	AB	BG	L	MH
20	ODP	JP254	6.25	5.00	4.13	12.00	9.49	8.91	8.77	0.53
25	ODP	JP256	6.25	5.00	5.00	12.00	9.49	9.78	7.91	0.53
30	ODP	JP284	6.97	5.50	4.75	13.07	11.37	9.53	11.53	0.53
40	ODP	JP286	6.97	5.50	5.50	13.07	11.37	10.28	10.78	0.53
20/25	TEFC	JP256	6.25	5.00	5.00	12.37	10.48	9.01	11.70	0.53
30/40	TEFC	JP286	7.00	5.50	5.50	14.11	11.07	10.02	13.04	0.53

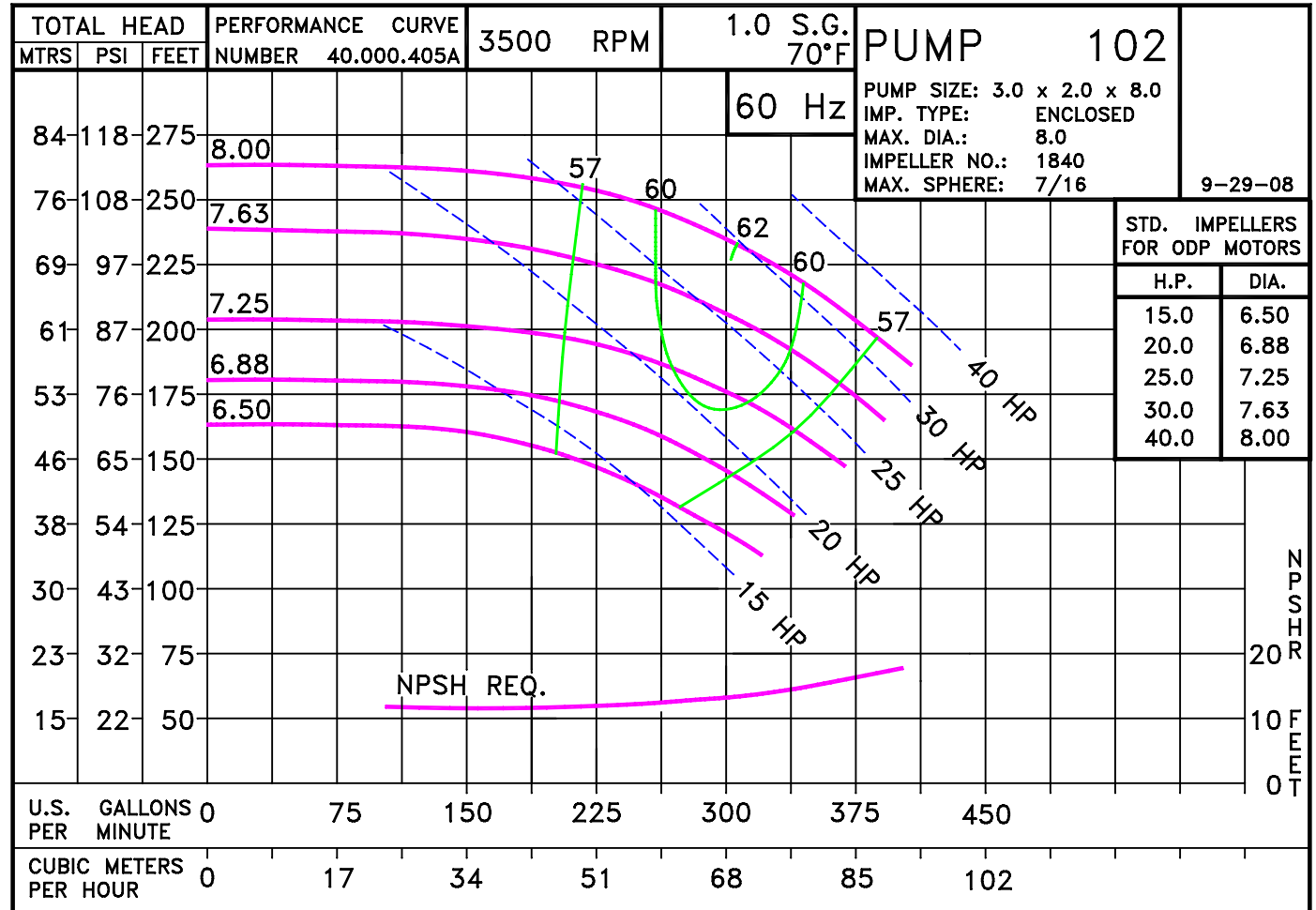
D102JP256

DRAWING DEPICTS 256JP 25HP ODP MOTOR



ALL DIMENSIONS IN INCHES.

DRAWING REPRESENTS APPROXIMATE PUMP DIMENSIONS. AUTOCAD DRAWING TO SCALE AVAILABLE FROM FACTORY.



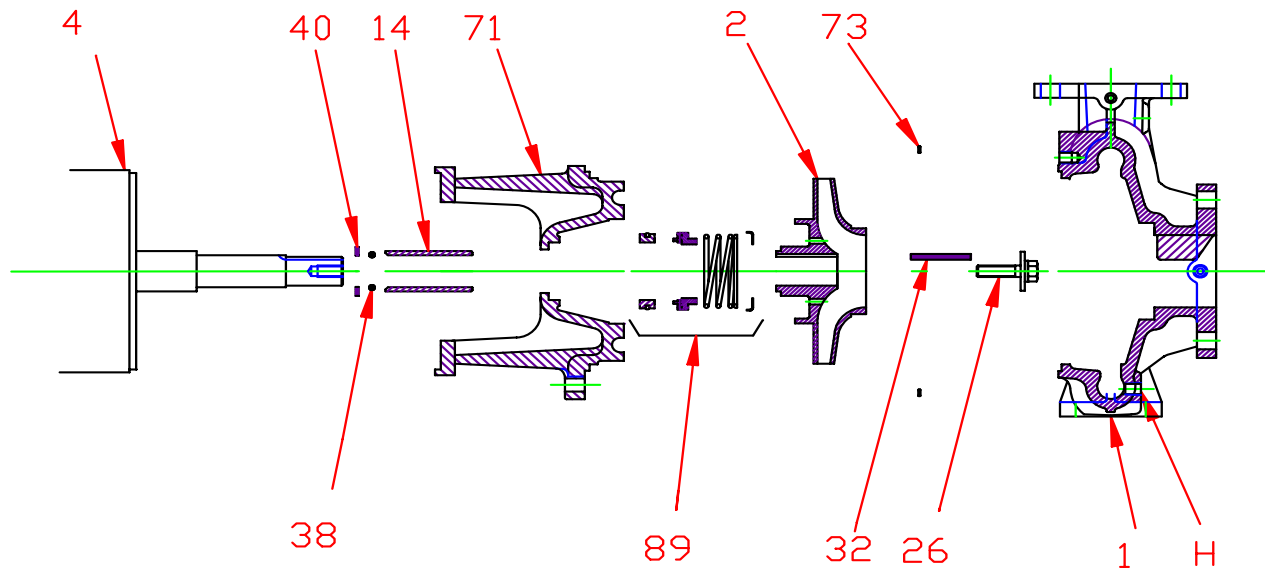
10210DP

D102JP256
1023500

102 JP

1023500JP
81.001.175 G16

Pump 102 • Iron • JP Frame • 3500 RPM

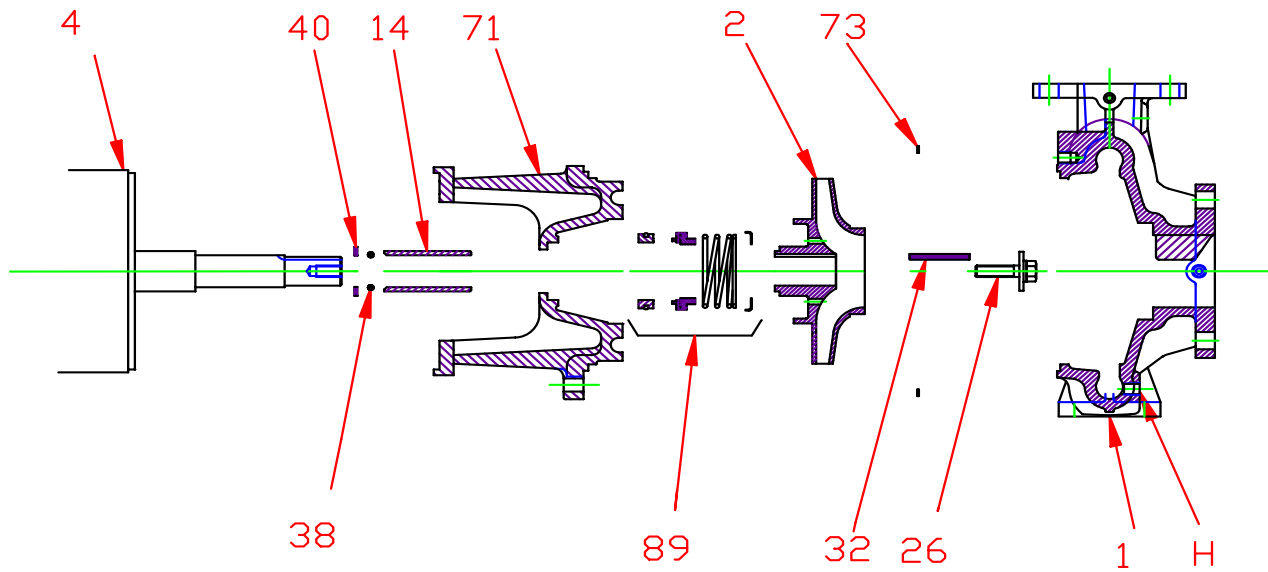


KEY NO.	PART NAME	PUMP NO. 102
1	CASE, IRON, 3 x 2 FLG	130.000.308X
2	IMPELLER, 1¼" KEYED, ENCLOSED, SPECIFY DIAMETER: IRON	137.000.554
4	MOTOR, JP210/250 MOTOR, JP280/320	See Chart See Chart
14*	SHAFT SLEEVE, BRONZE SHAFT SLEEVE, STAINLESS	110.000.398 110.000.360
26*	IMPELLER RETAINER, STAINLESS	118.000.640
32*	KEY, STAINLESS	102.000.257
38*	O-RING, SHAFT, BUNA O-RING, SHAFT, VITON	116.000.218 116.000.218A
40*	FLINGER, STAINLESS	104.000.200
71	ADAPTER, IRON, JP210/250 ADAPTER, IRON, JP280/320	132.000.378X 132.000.387X
73*	GASKET, CASE, FIBER	116.000.276
89*	1¼" SEALS:	
	BN-CARB/CM	101.000.196
	VN-CARB/CM	101.000.216
	VN-CARB/NR	101.000.221
	VN-SIL/SIL	101.000.231
	EPDM-CARB/NR	101.000.196B
	EPDM-SIL/SIL	137.001.555
--	° REPAIR KITS:	
	BN-CARB/CM SEAL	118.000.410
	VN-CARB/CM SEAL (S)	118.000.410G
	VN-CARB/CM SEAL	118.000.410A
	VN-CARB/SIL SEAL	118.000.410B
	VN-SIL/SIL SEAL (S)	118.000.410H
	VN-SIL/SIL SEAL	118.000.410D
	EPDM-CARB/SIL SEAL	118.000.410C
EPDM-SIL/SIL SEAL	118.000.410E	

* DENOTES COMPONENTS INCLUDED IN REPAIR KIT.

° THE REPAIR KITS INCLUDE THE BRONZE SHAFT SLEEVE EXCEPT THE (S) INDICATED, WHICH IS STAINLESS

Pump 102 • Iron • JP Frame • 3500 RPM



CONSTRUCTION OPTIONS

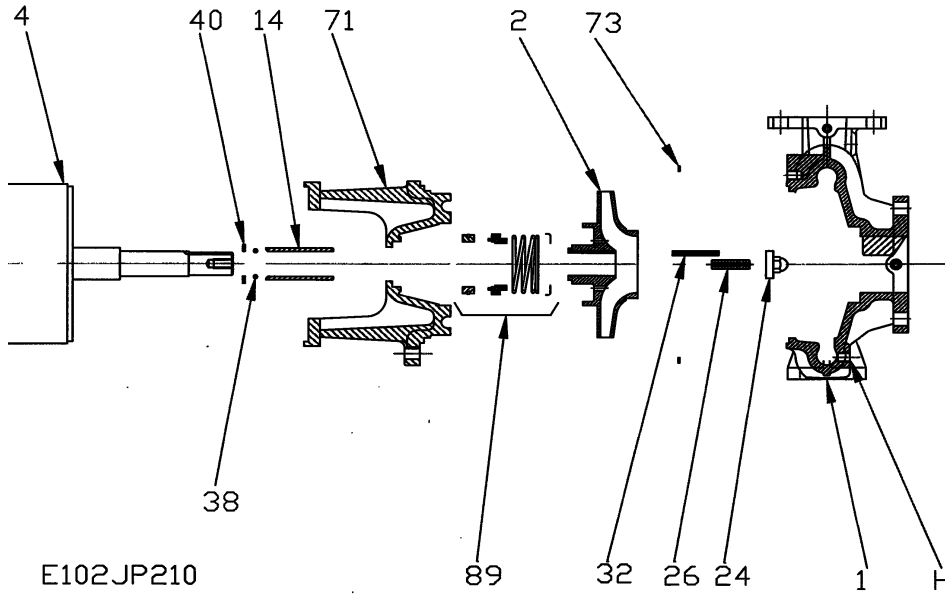
KEY	PART NAME	STANDARD FITTED	ALL IRON
1	Case	Iron	Iron
2	Impeller	Iron	Iron
14	Shaft Sleeve	Bronze	Stainless
26	Impeller Retainer	Stainless	Stainless
32	Key	Stainless	Stainless
38	Shaft O-Ring	BUNA	BUNA
40	Flinger	Stainless	Stainless
71	Adapter	Iron	Iron
73	Gasket, Case	Fiber	Fiber
89	Mechanical Seal, Type 21 BN-CM	Standard	Standard
89A	Seal Spring Retainer	Stainless	Stainless
H	Plug, Drain	Brass	Plated Steel

E102JP210

C11

C1023500JP

Pump 102 • Iron • JP Frame • 3500 RPM



CONSTRUCTION OPTIONS

KEY	PART NAME	STANDARD FITTED	ALL IRON
1	Case	Iron	Iron
2	Impeller	Iron	Iron
14	Shaft Sleeve	Bronze	Stainless
24	Nut	Bronze	Stainless
26	Stud	Stainless	Stainless
32	Key	Stainless	Stainless
38	Shaft O-Ring	BUNA	BUNA
40	Flinger	Stainless	Stainless
71	Adapter	Iron	Iron
73	Gasket, Case	Fiber	Fiber
89	Mechanical Seal, Type 21 BN-CM	Standard	Standard
89A	Seal Spring Retainer	Stainless	Stainless
H	Plug, Drain	Brass	Plated Steel