



A WILO COMPANY

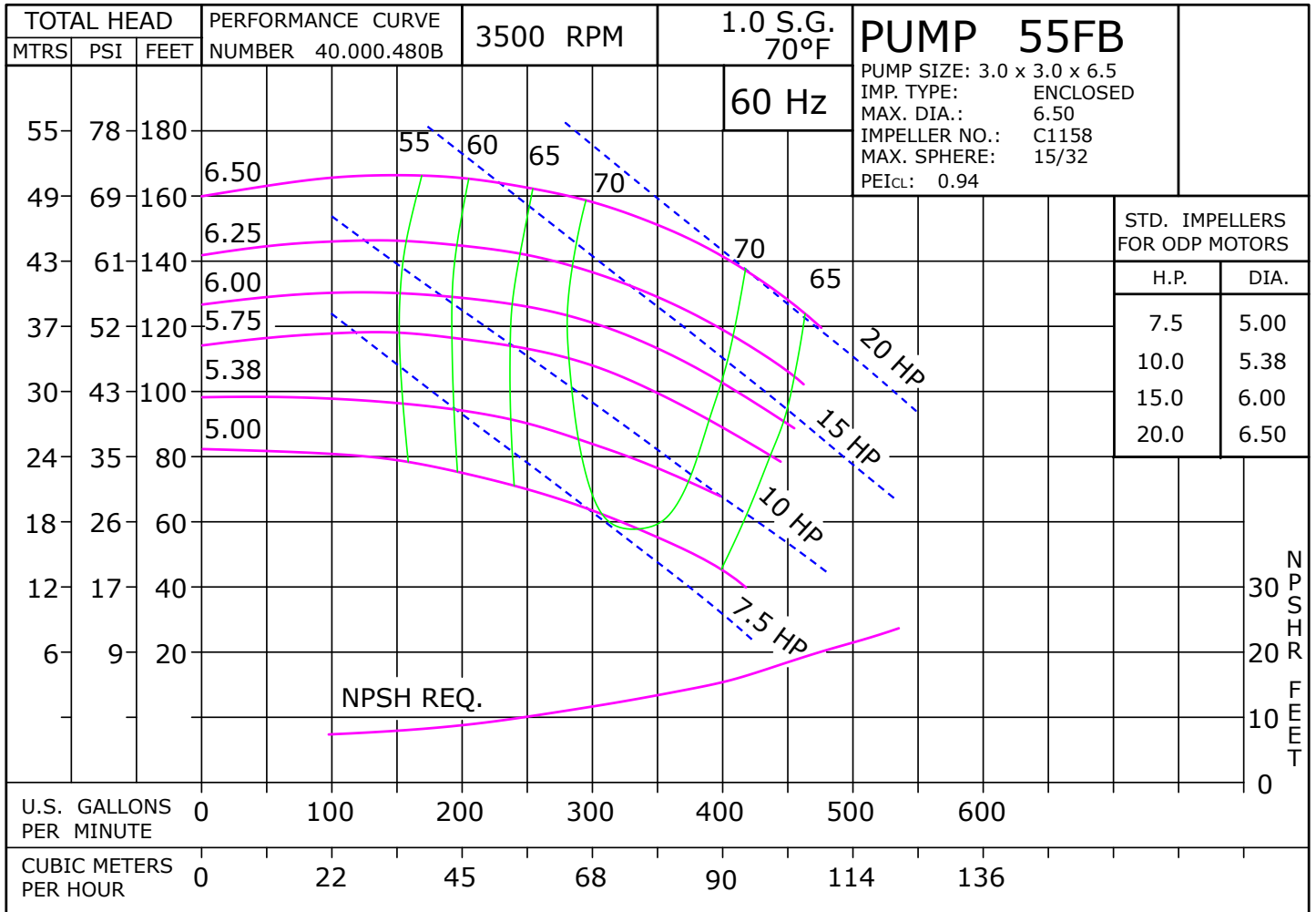
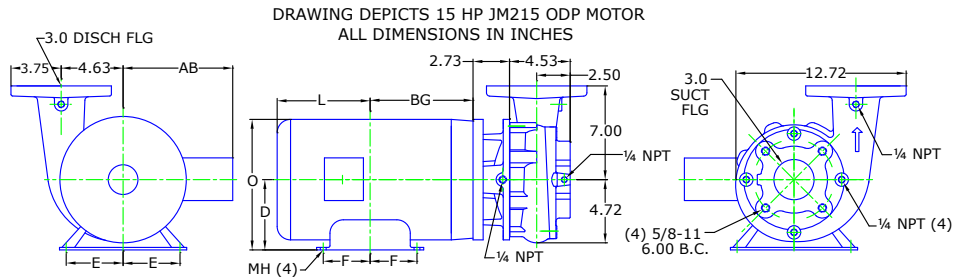
MOTORPUMP™ — 3500 RPM

Bronze, 60 Hz, 3 X 3 X 6.5 FLG

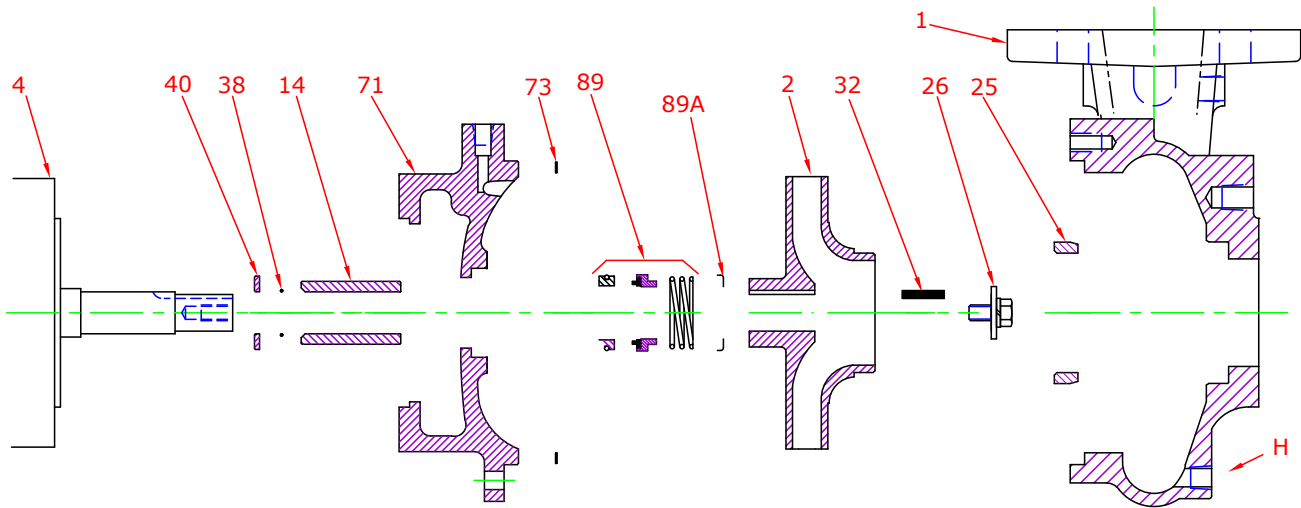
55FB JM



Motor Dimensions										
HP	Type	Frame	D	E	F	O	AB	BG	L	MH
7.5	ODP	JM184	4.50	3.75	2.25	8.44	6.74	5.75	6.56	0.41
10	ODP	JM213	5.25	4.25	2.75	10.03	7.92	7.00	6.94	0.43
15	ODP	JM215	5.25	4.25	3.50	10.03	7.92	7.75	6.19	0.43
20	ODP	JM254	6.25	5.00	4.13	12.00	9.49	8.88	9.06	0.53
7.5	TEFC	JM184	4.50	3.75	2.75	9.34	7.57	5.51	7.64	0.41
10, 15	TEFC	JM215	5.25	4.25	3.50	10.37	8.19	6.77	9.16	0.41
20	TEFC	JM256	6.25	5.00	5.00	12.76	10.48	9.01	11.70	0.53



Parts

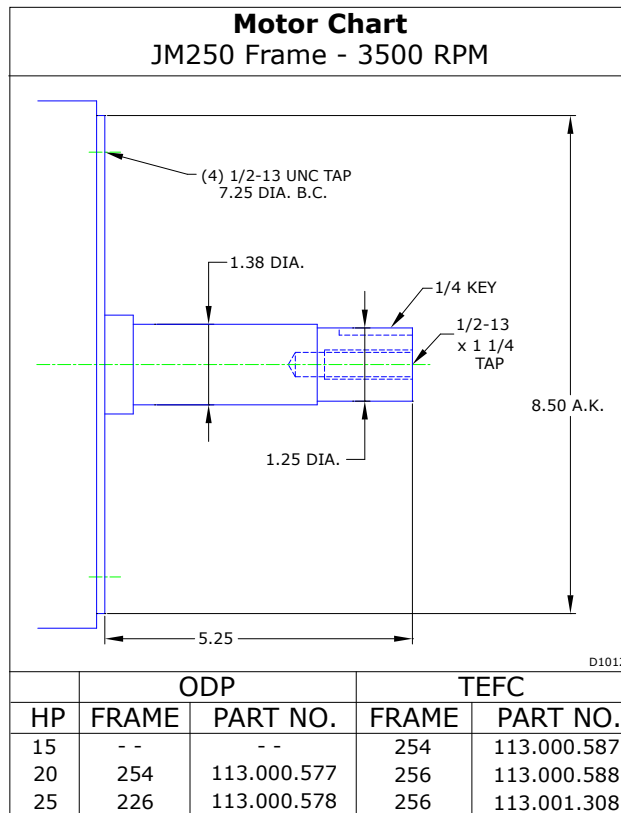
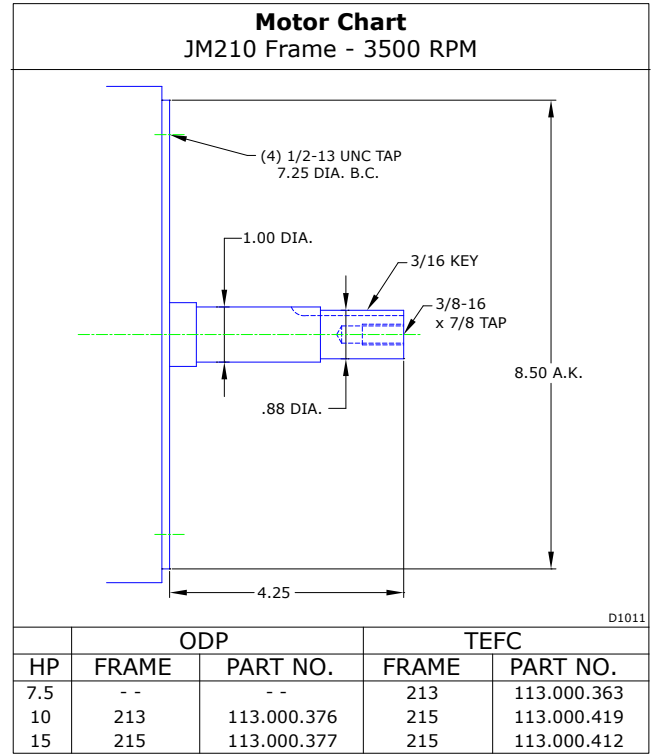
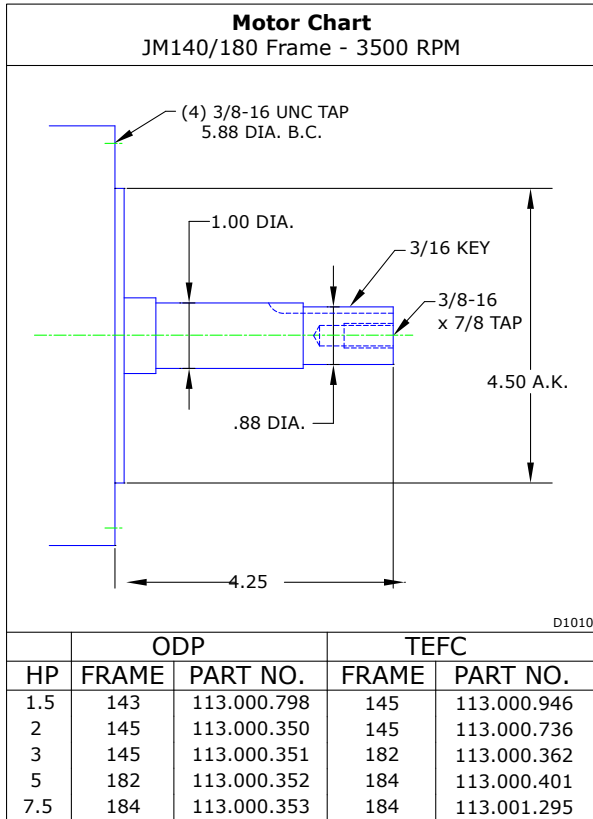


Key No.	Part Name	Part Number	
		7.5-15 HP	20 HP
1+	Case 55/56FB, Bronze 3.00 X 3.00 FLG Brnz Wear Ring & plugs	130.000.237X	130.000.237X
2	Impeller 55, Bronze, Specify Dia., 6.50 Max	7/8" Key	1 1/4" Key
		137.000.116	137.000.481
4	Motor chart, JM140/180 3500 rpm	See Chart	--
	Motor chart, JM210 3500 rpm	See Chart	--
	Motor chart, JM250 3500 rpm	--	See Chart
14*	Shaft sleeve, Bronze	110.000.178	110.000.248
	Shaft sleeve, Stainless	110.000.192	110.000.261
25	Wear ring, Bronze	103.000.138	103.000.138
26*	Impeller retaining assembly, Stainless	118.000.163A	118.000.234
32*	Key, Stainless	102.000.102	102.000.208
38*	O-ring, Shaft, Buna	116.000.117	116.000.218
	O-ring, Shaft, Viton	116.000.105	116.000.218A
40*	Flinger, Stainless	104.000.165	104.000.200
71	Adapter, Bronze, JM140/180 1-1/2" Seal, with Brass plug	132.000.228X	--
	Adapter, Bronze, JM210 1-1/2" Seal, with Brass plug	132.000.223X	--
	Adapter, Bronze, JM250 1-3/4" Seal, Brass plug	--	132.000.260X
73*	Gasket, Case, Fiber	116.000.157	116.000.157
89*	Seal, Type 21, BN-CARB/CM	1 1/2"	1 3/4"
		101.000.168	101.000.196
		101.000.175B	101.000.196B
		101.000.204A	137.001.555
		101.000.191	101.000.216
		101.000.175	101.000.221
89A*	Seal spring retainer, Stainless	104.000.174	Included w/seal
KIT	Repair Kit, BN-CARB/CM Seal, Brz sleeve, BN O-ring	118.000.344	118.000.345
	Repair Kit, EPDM-CARB/SIL Seal, Brz sleeve, BN O-ring	118.000.344C	118.000.345F
	Repair Kit, EPDM-SIL/SIL Seal, Brz sleeve, BN O-ring	118.000.344D	118.000.345G
	Repair Kit, VN-CARB/CM Seal, Brz sleeve, BN O-ring	118.000.344K	118.000.345E
	Repair Kit, VN-CARB/CM Seal, Stn sleeve, VN O-ring	118.000.344A	118.000.345A
	Repair Kit, VN-CARB/SIL Seal, Brz sleeve, BN O-ring	118.000.344B	118.000.345B
	Repair Kit, VN-SIL/SIL Seal, Stn sleeve, VN O-ring	118.000.344F	118.000.345C

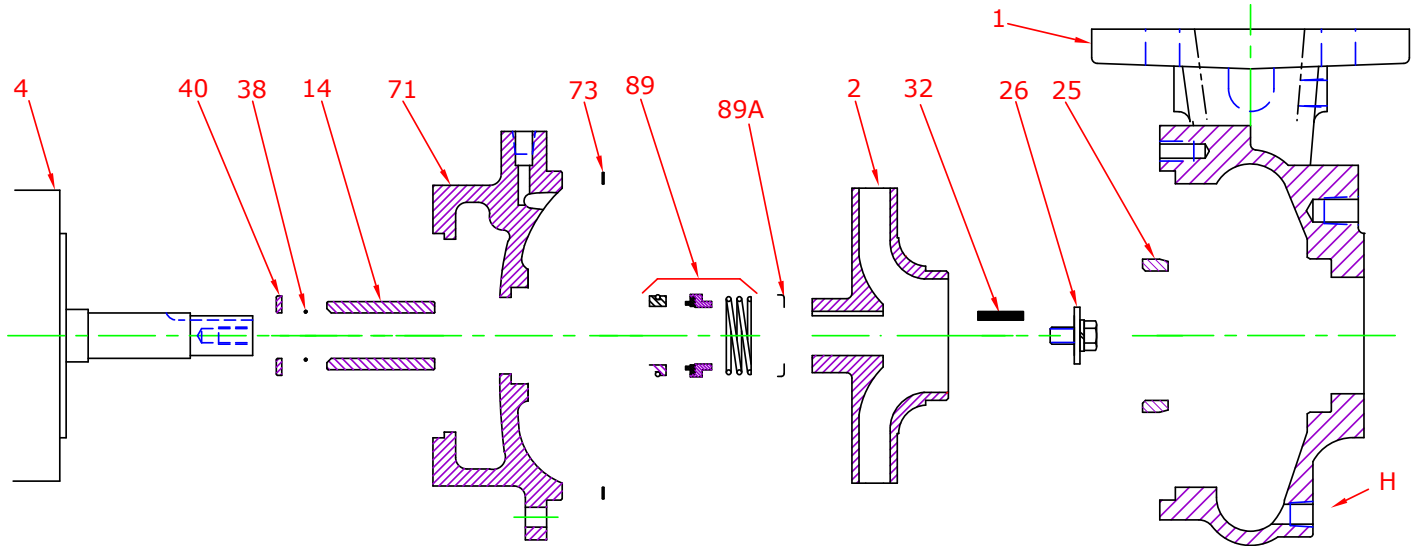
* Denotes components included in repair kit.

+ Includes bronze wear ring.

Motor Charts



Construction Options



Construction Options		
Key No.	Part Name	All Bronze
1	Case	Bronze
2	Impeller	Bronze
14	Shaft Sleeve	Bronze
25	Wear Ring	Bronze
26	Impeller Retaining Assy	Stainless
32	Key	Stainless
38	Shaft O-Ring	Buna
40	Flinger	Stainless
71	Adapter	Bronze
73	Gasket, Case	Fiber
89	Mechanical Seal, Type 21 BN-CM	Standard
89A	Seal Spring Retainer	Stainless
H	Plug, Drain	Brass