



A WILO COMPANY

MOTORPUMP™ — 1750 RPM

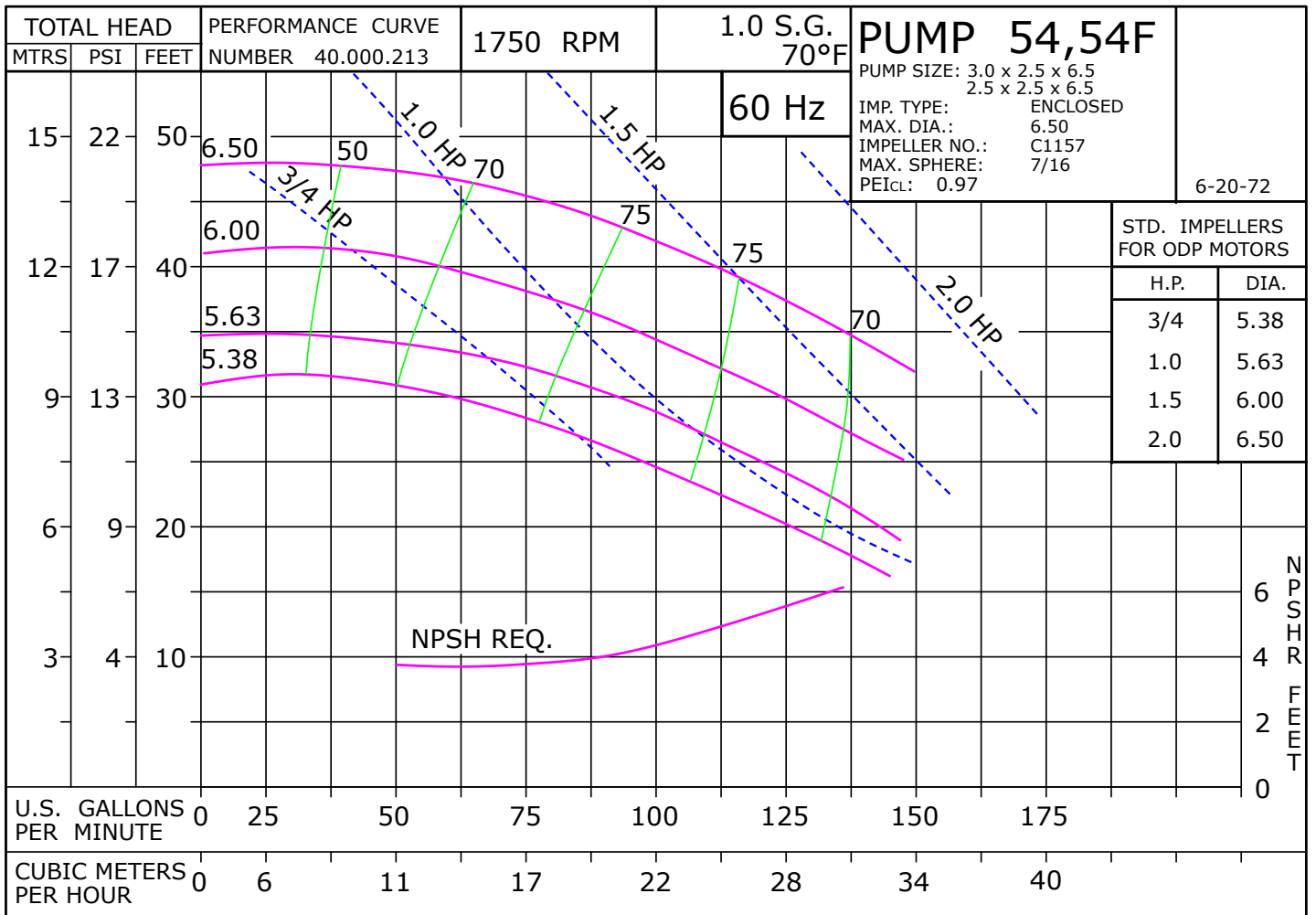
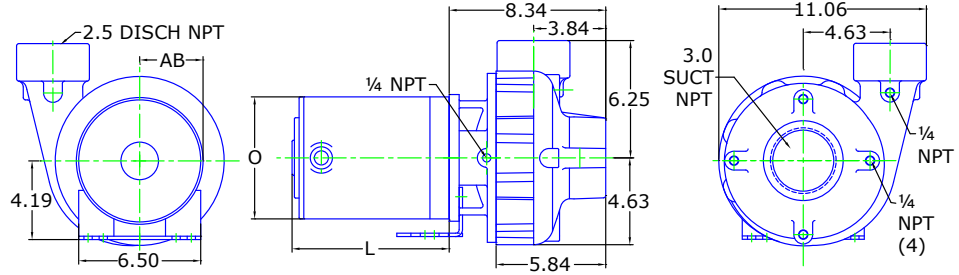
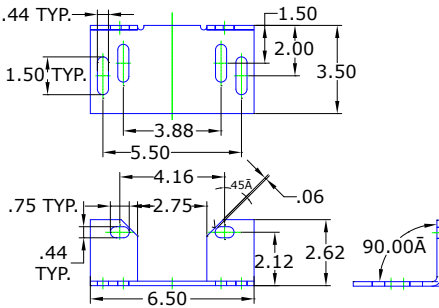
Iron, 60 Hz, 3 X 2.5 X 6.5 NPT

54 C56

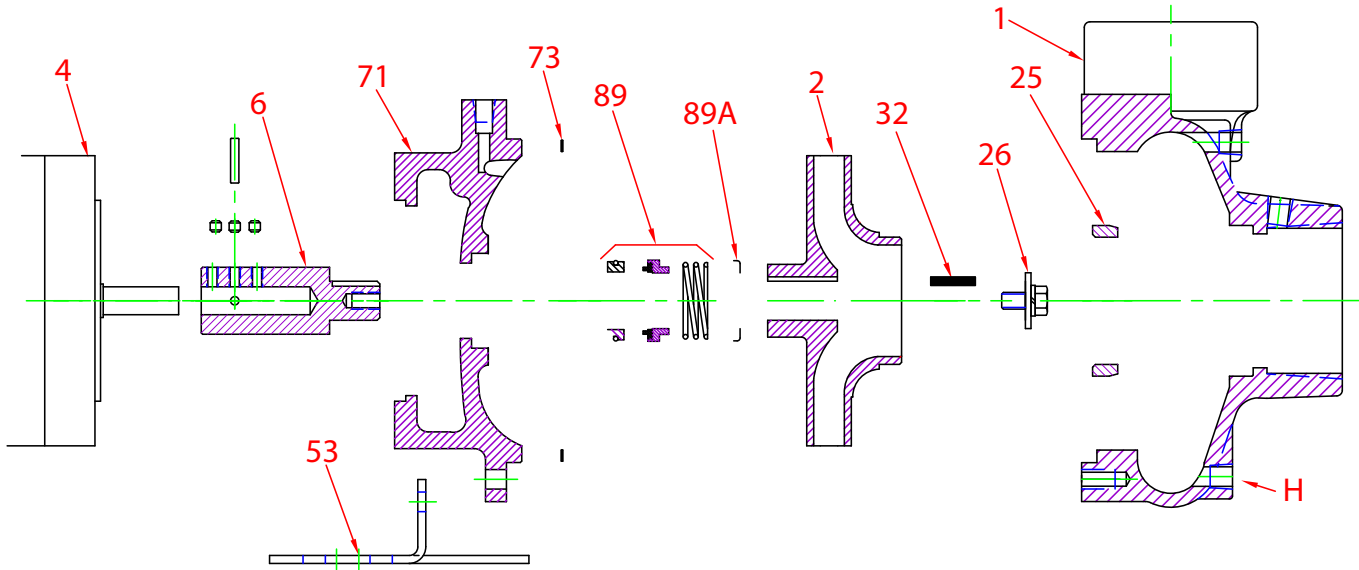


MOTOR DIMENSIONS							
NEMA C56 FRAME 1750 RPM							
HP	FRAME	ODP			TEFC		
		L	O	AB	L	O	AB
0.75	C56	9.78	6.19	5.06	9.87	7.25	5.88

DRAWING DEPICTS 56C ODP MOTOR
ALL DIMENSIONS IN INCHES



Parts

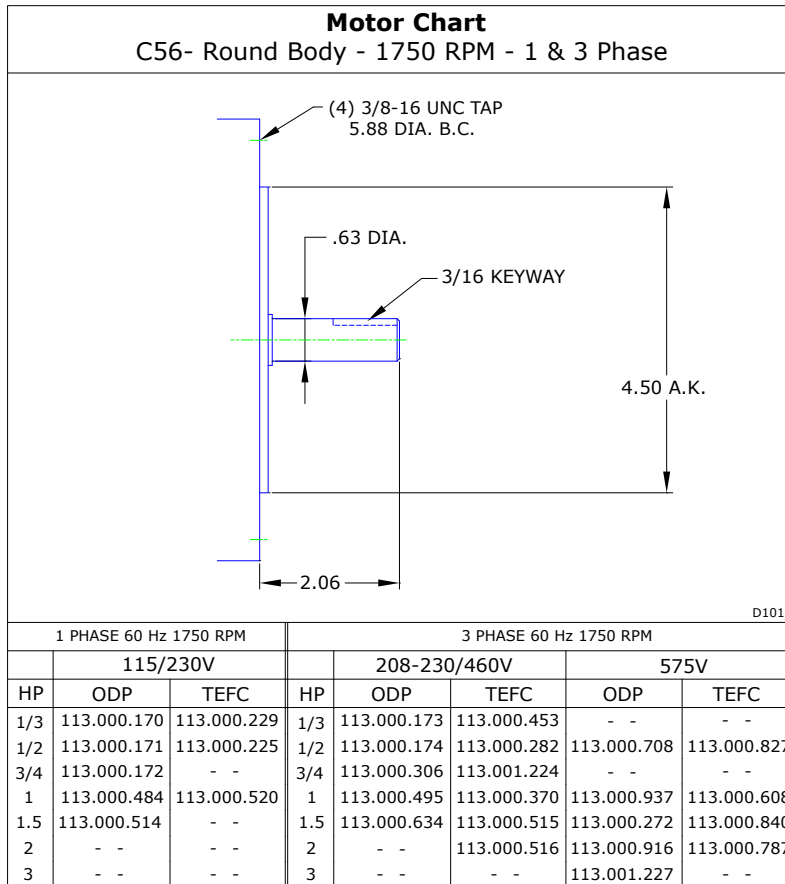


Key No.	Part Name	Part Number
1+	Case 53/54, Iron, 3.00 X 2.50 NPT Bronze Wear Ring and plugs	130.000.249X
2	Impeller 54, Bronze, Specify Dia., 6.50 Max 7/8" Key	131.000.825
	Impeller 54, Iron, Specify Dia., 6.50 Max 7/8" Key	131.000.812
4	Motor chart, C56	See Chart
6*	Stub Shaft Ass'y Stainless, includes set screws and pin	135.000.174X
	Stub Shaft Ass'y, Brass, includes set screws and pin	135.000.165X
25	Wear ring, Bronze	103.000.137
	Wear ring, Steel	103.000.153
26*	Impeller retaining assembly, Stainless	118.000.163A
32*	Key, Stainless	102.000.102
53	Base, Steel	119.000.237D
71	Adapter, Iron, JM140/180 1-1/2" Seal, with Brass plug	132.000.202X
73*	Gasket, Case, Fiber	116.000.157
89*	Seal, 1-1/2", Type 21, BN-CARB/CM	101.000.168
	Seal, 1-1/2", Type 21, EPDM-CARB/SIL	101.000.175B
	Seal, 1-1/2", Type 21, EPDM-SIL/SIL	101.000.204A
	Seal, 1-1/2", Type 21, VN-CARB/CM	101.000.191
	Seal, 1-1/2", Type 21, VN-CARB/SIL	101.000.175
	Seal, 1-1/2", Type 21, VN-SIL/SIL	101.000.204
89A*	Seal spring retainer, Stainless	104.000.174
KIT	Repair Kit, 1-1/2" BN-CARB/CM Seal, Brz stub shaft	118.000.382
	Repair Kit, 1-1/2" EPDM-CARB/SIL Seal, Brz stub shaft	118.000.382C
	Repair Kit, 1-1/2" EPDM-SIL/SIL Seal, Brz stub shaft	118.000.382E
	Repair Kit, 1-1/2" VN-CARB/CM Seal, Stn stub shaft	118.000.382A
	Repair Kit, 1-1/2" VN-CARB/SIL Seal, Brz stub shaft	118.000.382B
	Repair Kit, 1-1/2" VN-SIL/SIL, Stainless stub shaft	118.000.382D

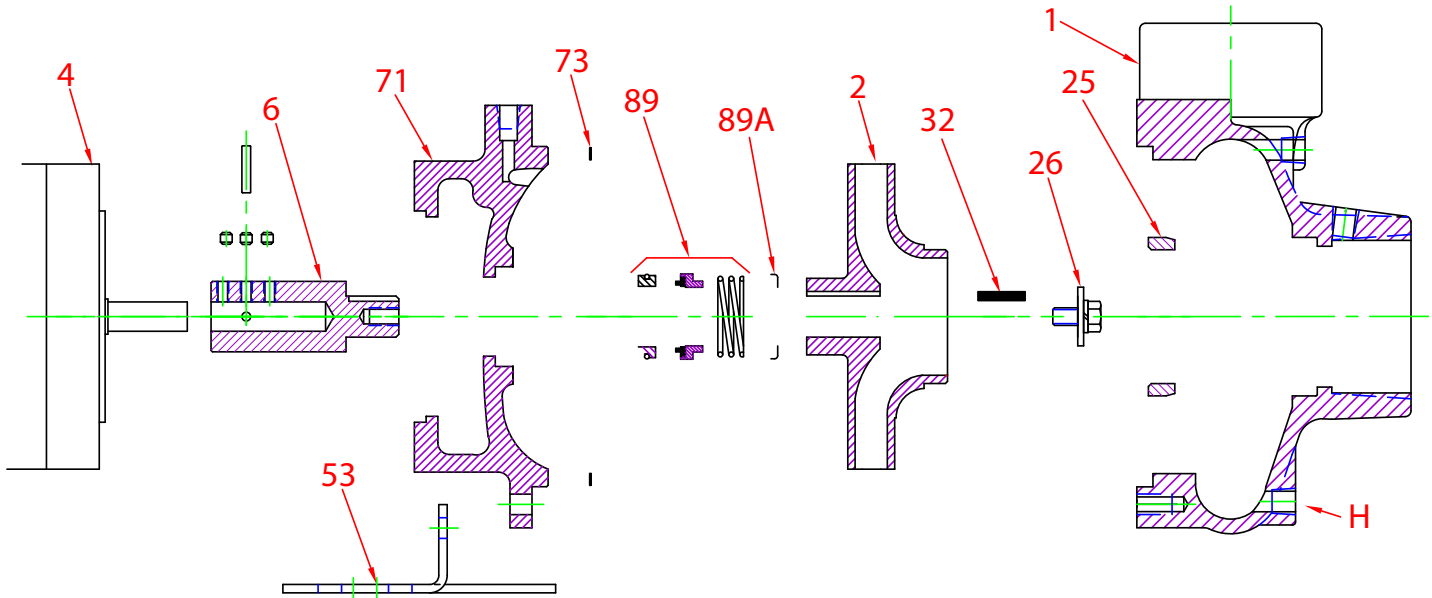
* Denotes components included in repair kit.

+ Includes bronze wear ring. For steel, replace suffix "X" with "X1".

Motor Charts



Construction Options



Construction Options				
Key	Part Name	Standard Fitted	Bronze Fitted	All Iron
1	Case	Iron	Iron	Iron
2	Impeller	Iron	Bronze	Iron
6	Stub Shaft	Bronze	Bronze	Stainless
25	Wear Ring	Bronze	Bronze	Steel
26	Impeller Retaining Assembly	Stainless	Stainless	Stainless
32	Key	Stainless	Stainless	Stainless
53	Base	Steel	Steel	Steel
71	Adapter	Iron	Iron	Iron
73	Gasket, Case	Fiber	Fiber	Fiber
89	Mechanical Seal, Type 21 BN-CM	Standard	Standard	Standard
89A	Seal Spring Retainer	Stainless	Stainless	Stainless
H	Plug, Drain	Brass	Brass	Plated Steel