



A WILO COMPANY

MOTORPUMP™ — 3500 RPM

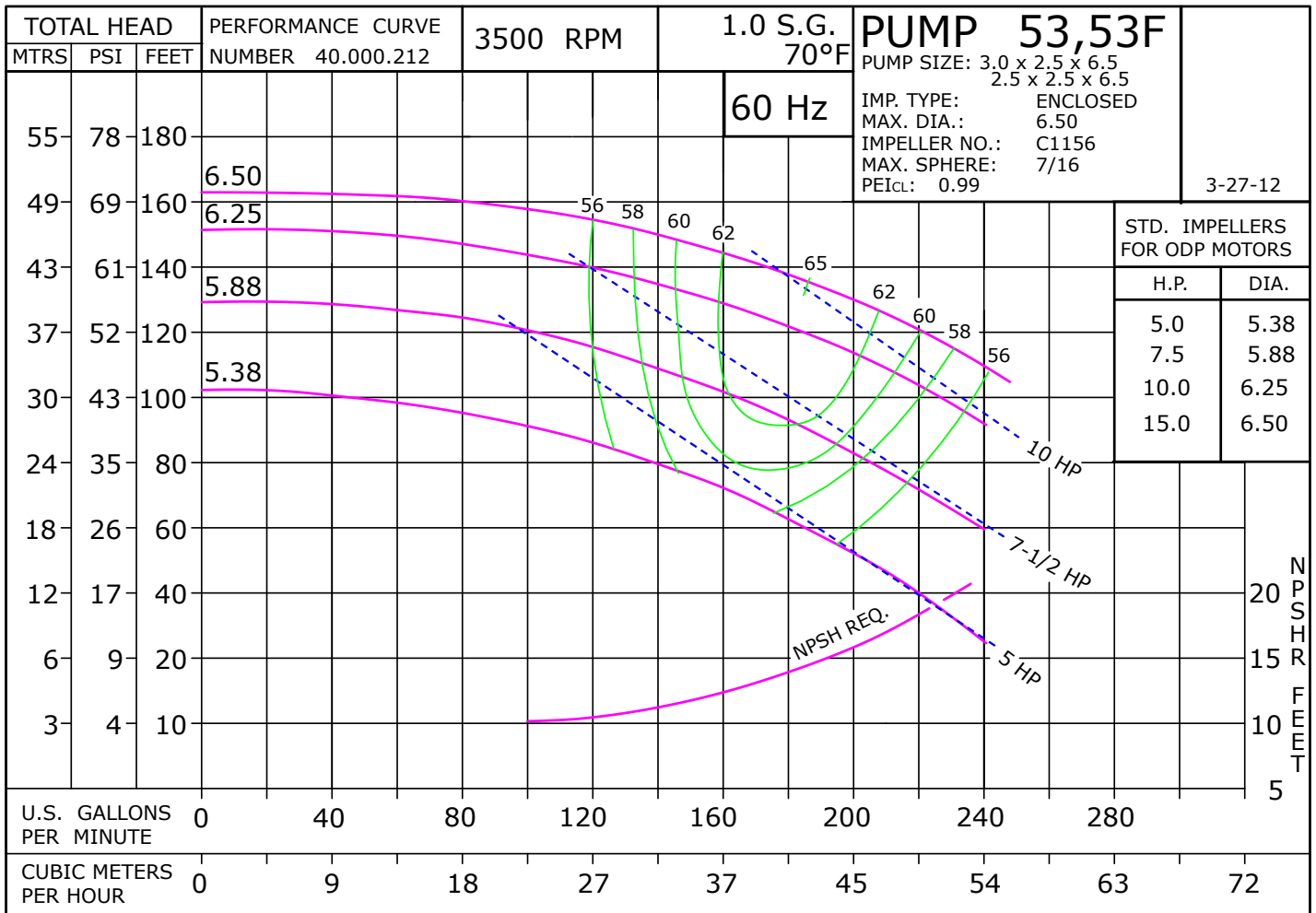
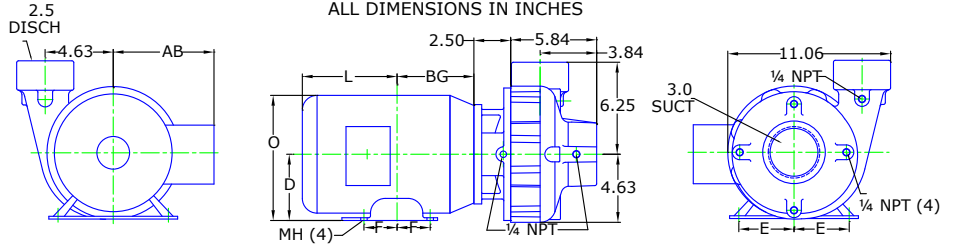
Iron, 60 Hz, 3 X 2.5 X 6.5 NPT

53 JM

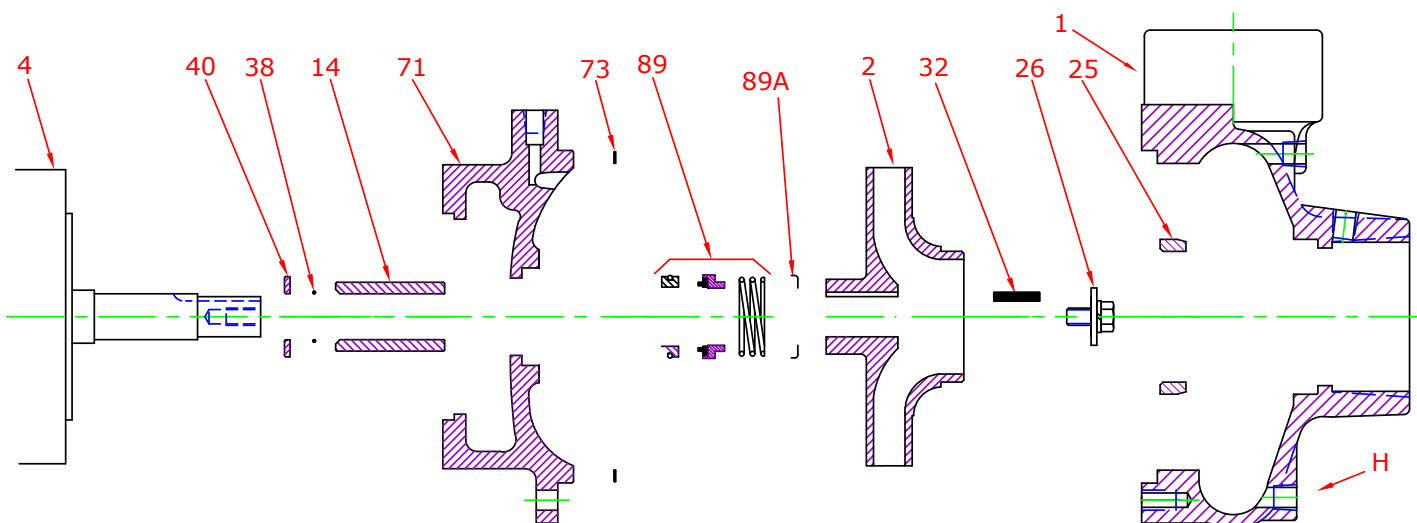


Motor Dimensions										
HP	Type	Frame	D	E	F	O	AB	BG	L	MH
5	ODP	JM182	4.50	3.75	2.25	8.44	6.74	5.75	5.12	0.41
7.5	ODP	JM184	4.50	3.75	2.25	8.44	6.74	5.75	6.56	0.41
10	ODP	JM213	5.25	4.25	2.75	10.03	7.92	7.00	6.94	0.43
15	ODP	JM215	5.25	4.25	3.50	10.03	7.92	7.75	6.19	0.43
5, 7.5	TEFC	JM184	4.50	3.75	2.75	9.34	7.57	5.51	7.64	0.41
10, 15	TEFC	JM215	5.25	4.25	3.50	10.37	8.19	6.77	9.16	0.41

DRAWING DEPICTS JM184 7.5HP ODP MOTOR
ALL DIMENSIONS IN INCHES



Parts

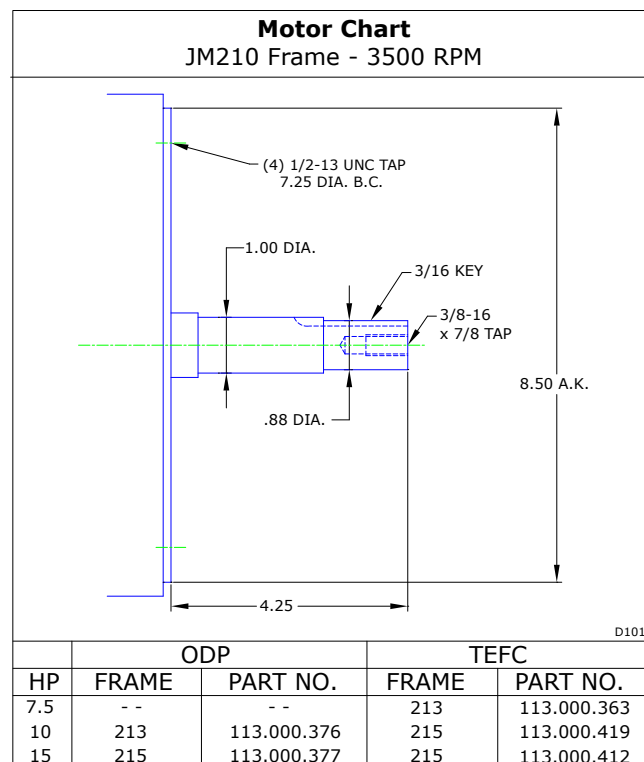
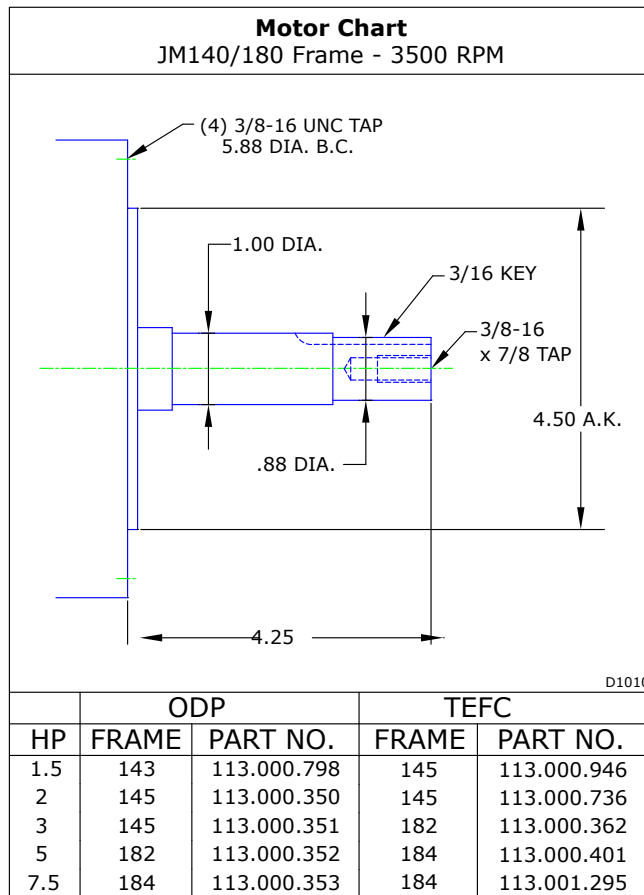


Key No.	Part Name	Part Number
1+	Case 53/54, Iron, 3 X 2.5 NPT Bronze Wear Ring and plugs	130.000.249X
2	Impeller 53, Bronze, Specify Dia 6.50 Max 7/8" Key	137.000.205
	Impeller 53, Iron, Specify Dia 6.50 X 7/8" Key	137.000.206
4	Motor chart, JM140/180	See Chart
	Motor chart, JM210	See Chart
14*	Shaft sleeve, Bronze	110.000.178
	Shaft sleeve, Stainless	110.000.192
25	Wear ring, Bronze	103.000.137
	Wear ring, Steel	103.000.153
26*	Impeller retaining assembly, Stainless	118.000.163A
32*	Key, Stainless	102.000.102
38*	O-ring, Shaft, Buna	116.000.117
	O-ring, Shaft, Viton	116.000.105
40*	Flinger, Stainless	104.000.165
71	Adapter, Iron, JM140/180 1-1/2" Seal, with Brass plug	132.000.202X
	Adapter, Iron, JM210 1-1/2" Seal, with Brass plug	132.000.213X
73*	Gasket, Case, Fiber	116.000.157
89*	Seal, 1-1/2", Type 21, BN-CARB/CM	101.000.168
	Seal, 1-1/2", Type 21, EPDM-CARB/SIL	101.000.175B
	Seal, 1-1/2", Type 21, EPDM-SIL/SIL	101.000.204A
	Seal, 1-1/2", Type 21, VN-CARB/CM	101.000.191
	Seal, 1-1/2", Type 21, VN-CARB/SIL	101.000.175
	Seal, 1-1/2", Type 21, VN-SIL/SIL	101.000.204
89A*	Seal spring retainer, Stainless	104.000.174
KIT	Repair Kit, 1-1/2" BN-CARB/CM Seal, Brz sleeve, BN O-ring	118.000.344
	Repair Kit, 1-1/2" EPDM-CARB/SIL Seal, Brz sleeve, BN O-ring	118.000.344C
	Repair Kit, 1-1/2" EPDM-SIL/SIL Seal, Brz sleeve, BN O-ring	118.000.344D
	Repair Kit, 1-1/2" VN-CARB/CM Seal, Brz sleeve, BN O-ring	118.000.344K
	Repair Kit, 1-1/2" VN-CARB/CM Seal, Stn sleeve, VN O-ring	118.000.344A
	Repair Kit, 1-1/2" VN-CARB/SIL Seal, Brz sleeve, BN O-ring	118.000.344B
	Repair Kit, 1-1/2" VN-SIL/SIL Seal, Stn sleeve, VN O-ring	118.000.344F

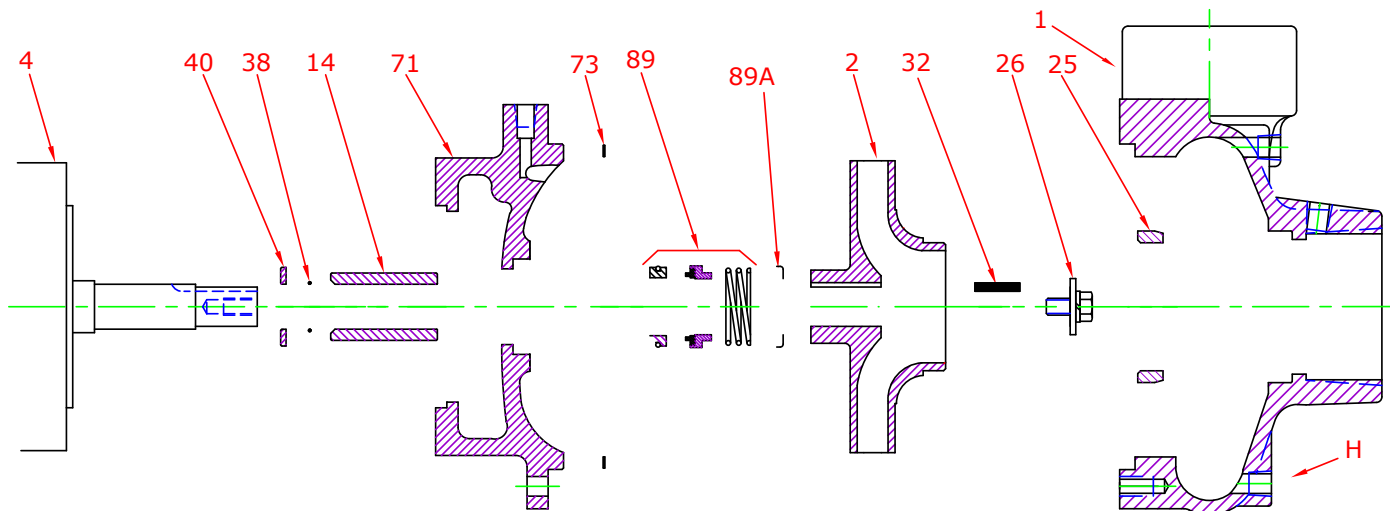
* Denotes components included in repair kit.

+ Includes bronze wear ring. For steel, replace suffix "X" with "X1".

Motor Charts



Construction Options



Construction Options				
Key	Part Name	Standard Fitted	Bronze Fitted	All Iron
1	Case	Iron	Iron	Iron
2	Impeller	Iron	Bronze	Iron
14	Shaft Sleeve	Bronze	Bronze	Stainless
25	Wear Ring	Bronze	Bronze	Steel
26	Impeller Retaining Assembly	Stainless	Stainless	Stainless
32	Key	Stainless	Stainless	Stainless
38	O-Ring, Shaft	Buna	Buna	Buna
40	Flinger	Stainless	Stainless	Stainless
71	Adapter	Iron	Iron	Iron
73	Gasket, Case	Fiber	Fiber	Fiber
89	Mechanical Seal, Type 21 BN-CM	Standard	Standard	Standard
89A	Seal Retainer	Stainless	Stainless	Stainless
H	Plug, Drain	Brass	Brass	Plated Steel