



A WILO COMPANY

MOTORPUMP™ — 1750 RPM

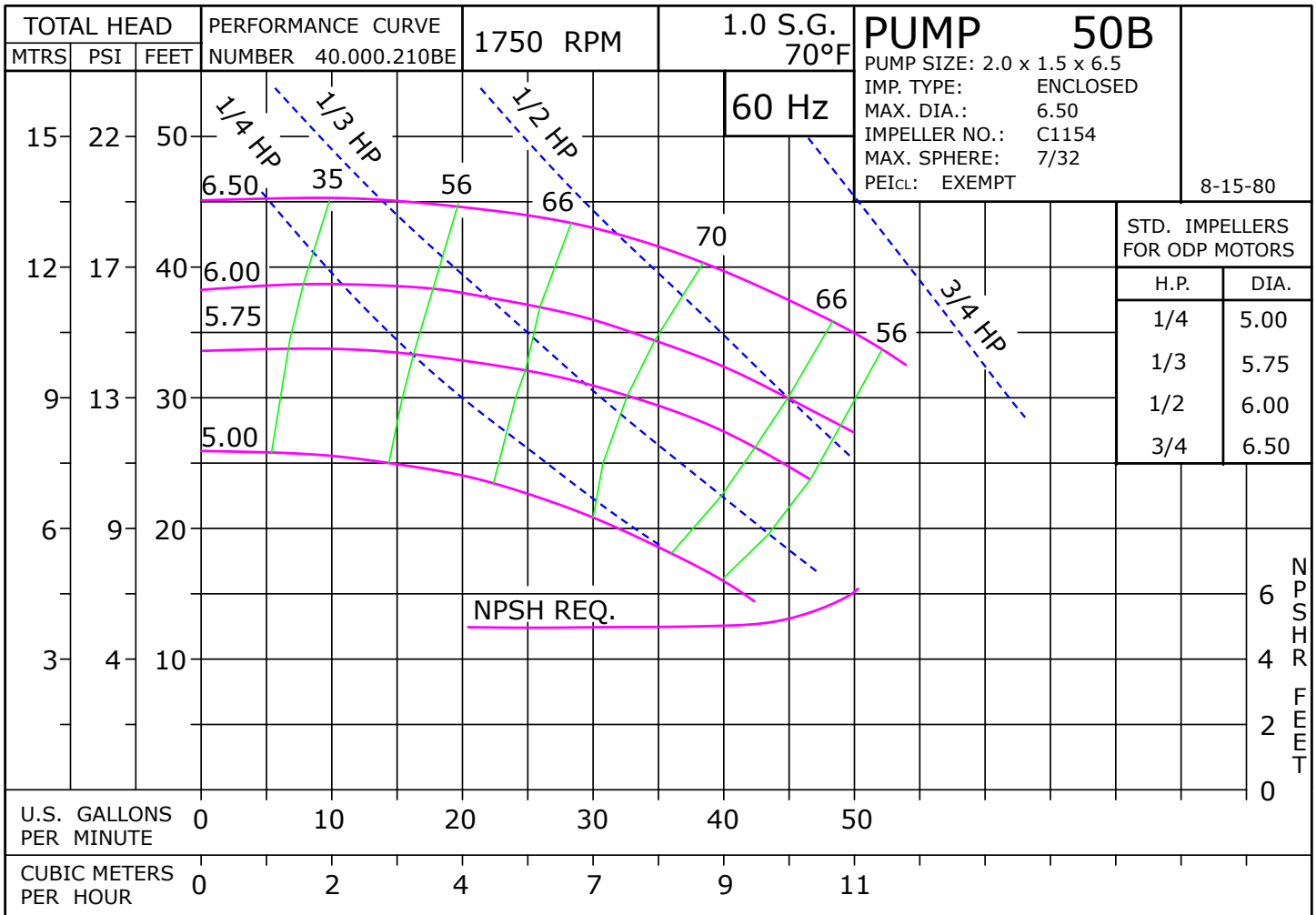
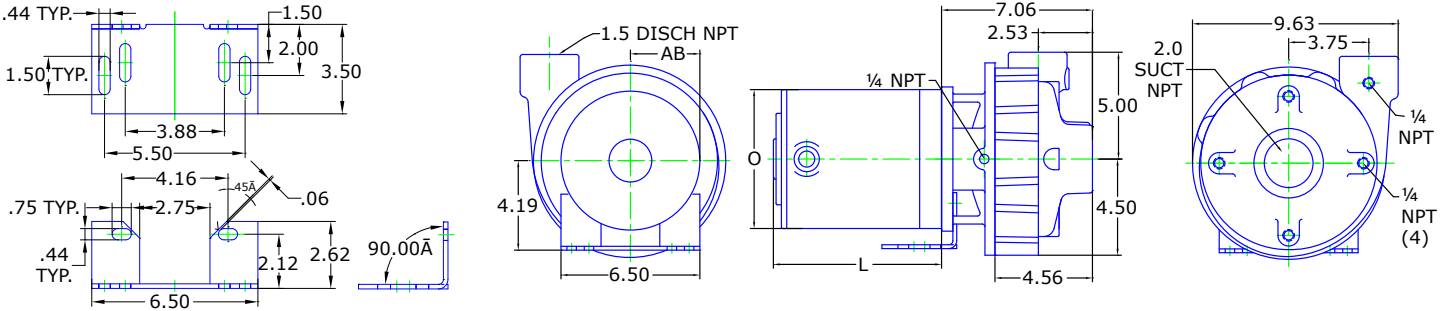
Bronze, 60 Hz, 2 X 1.5 X 6.5 NPT

50B C56

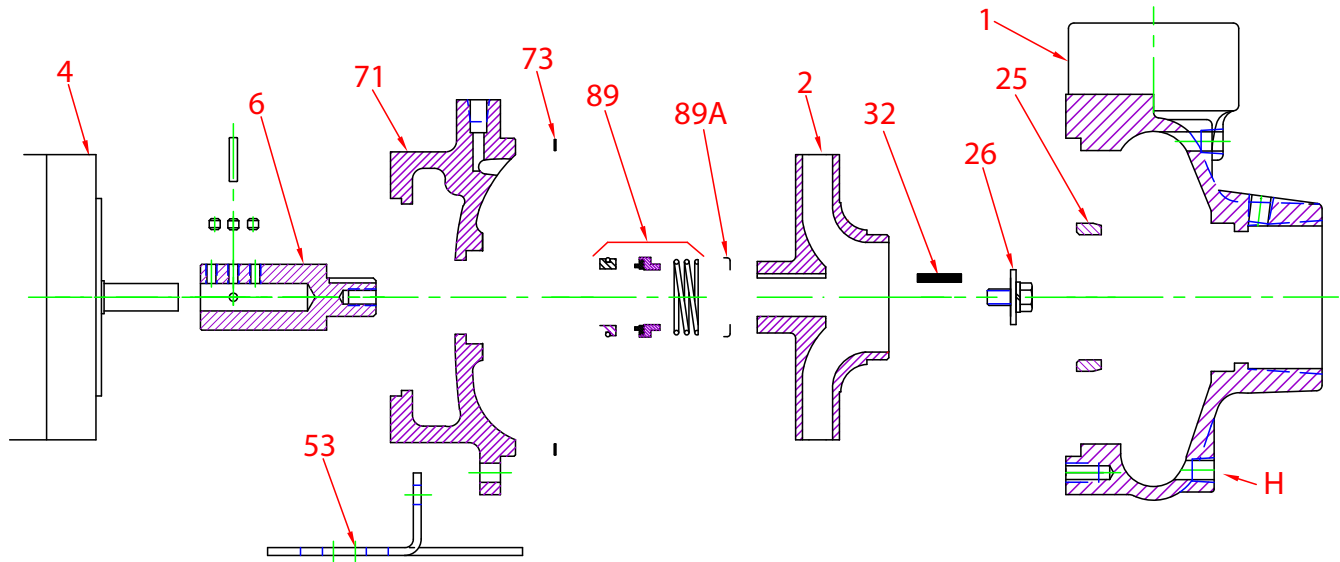


MOTOR DIMENSIONS NEMA C56 FRAME 1750 RPM							
HP	FRAME	ODP			TEFC		
		L	O	AB	L	O	AB
0.5	C56	9.16	6.19	5.06	9.48	7.25	5.88
0.75	C56	9.78	6.19	5.06	9.87	7.25	5.88

DRAWING DEPICTS 56C ODP MOTOR
ALL DIMENSIONS IN INCHES



Parts

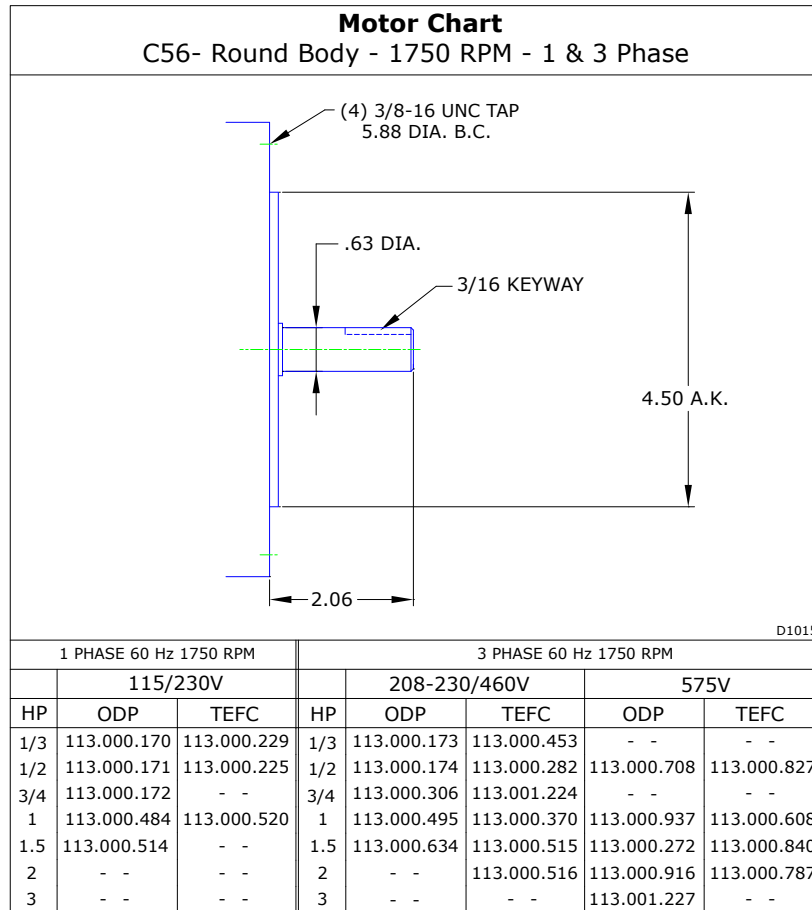


Key No.	Part Name	Part Number
1+	Case 50B, Bronze, 2.00 X 1.50 NPT Bronze wear ring and plugs	130.000.272BX
2	Impeller 50, Bronze, Specify Dia., 6.50 Max 7/8" Key	131.000.829
4	Motor chart, C56	See Chart
6*	Stub Shaft Ass'y Stainless, includes set screws and pin	135.000.174X
	Stub Shaft Ass'y, Brass, includes set screws and pin	135.000.165X
25	Wear ring, Bronze	103.000.135
26*	Impeller retaining assembly, Stainless	118.000.163A
32*	Key, Stainless	102.000.102
53	Base, Steel	119.000.237D
71	Adapter, Bronze, JM140/180 1-1/2" Seal, with Brass plug	132.000.228X
73*	Gasket, Case, Fiber	116.000.157
89*	Seal, 1-1/2", Type 21, BN-CARB/CM	101.000.168
	Seal, 1-1/2", Type 21, EPDM-CARB/SIL	101.000.175B
	Seal, 1-1/2", Type 21, EPDM-SIL/SIL	101.000.204A
	Seal, 1-1/2", Type 21, VN-CARB/CM	101.000.191
	Seal, 1-1/2", Type 21, VN-CARB/SIL	101.000.175
	Seal, 1-1/2", Type 21, VN-SIL/SIL	101.000.204
89A*	Seal spring retainer, Stainless	104.000.174
KIT	Repair Kit, 1-1/2" BN-CARB/CM Seal, Brz stub shaft	118.000.382
	Repair Kit, 1-1/2" EPDM-CARB/SIL Seal, Brz stub shaft	118.000.382C
	Repair Kit, 1-1/2" EPDM-SIL/SIL Seal, Brz stub shaft	118.000.382E
	Repair Kit, 1-1/2" VN-CARB/CM Seal, Stn stub shaft	118.000.382A
	Repair Kit, 1-1/2" VN-CARB/SIL Seal, Brz stub shaft	118.000.382B
	Repair Kit, 1-1/2" VN-SIL/SIL, Stainless stub shaft	118.000.382D

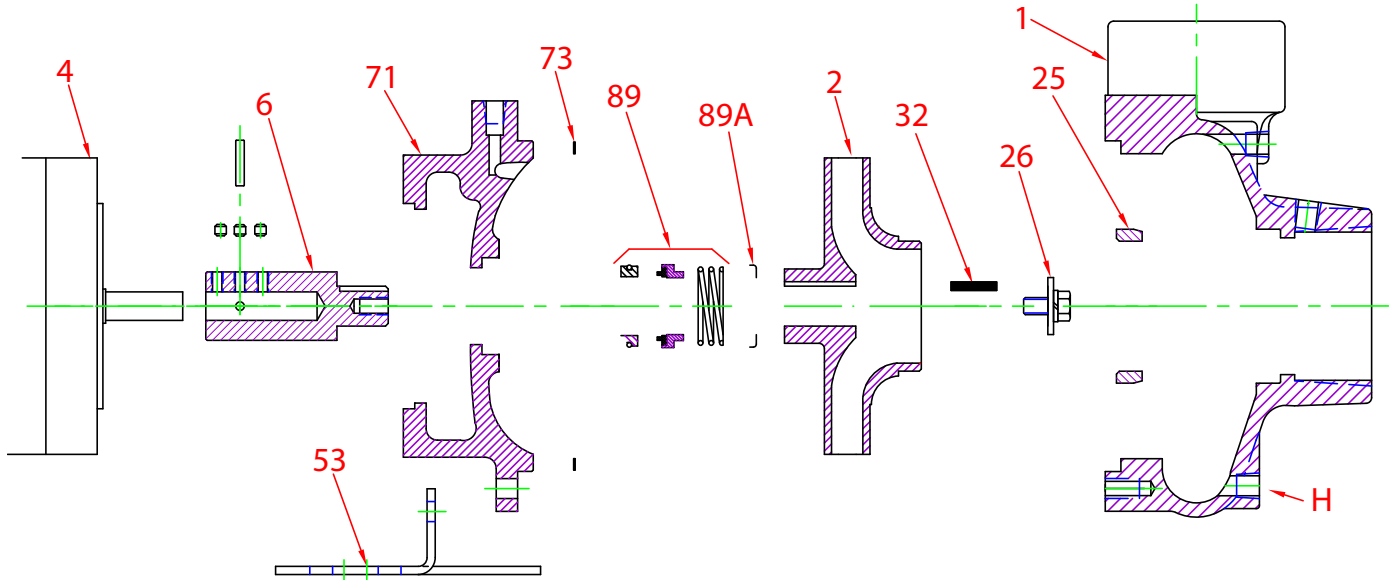
* Denotes components included in repair kit.

+ Includes bronze wear ring.

Motor Charts



Construction Options



Construction Options		
Key No.	Part Name	All Bronze
1	Case	Bronze
2	Impeller	Bronze
6	Shaft Stub	Bronze
25	Wear Ring	Bronze
26	Impeller Retaining Assembly	Stainless
32	Key	Stainless
53	Base	Steel
71	Adapter	Bronze
73	Gasket, Case	Fiber
89	Mechanical Seal, Type 21, BN-CARB/CM	Standard
89A	Seal Spring Retainer	Stainless
H	Plug, Drain	Brass