



A WILO COMPANY

MOTORPUMP™ — 1750 RPM

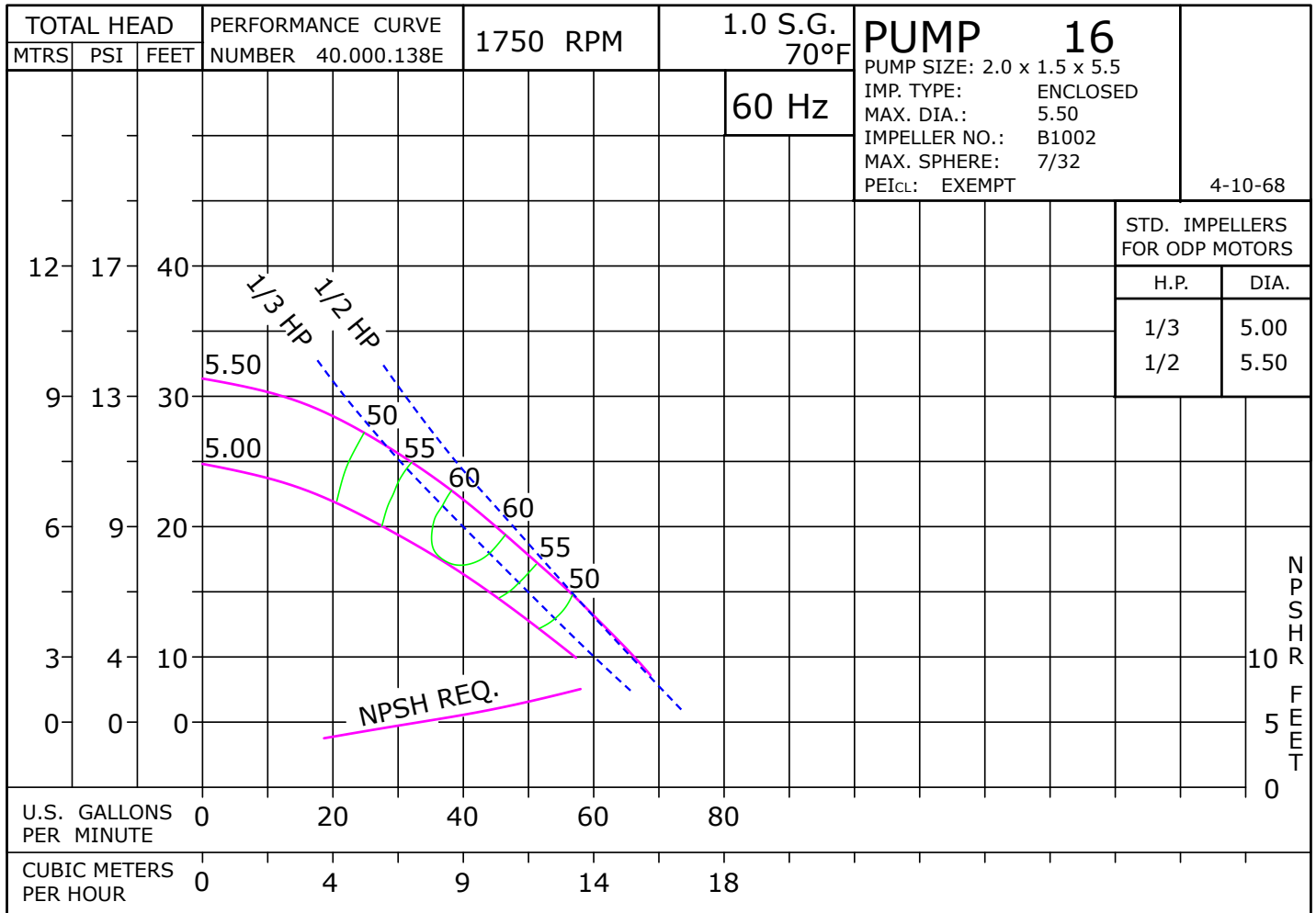
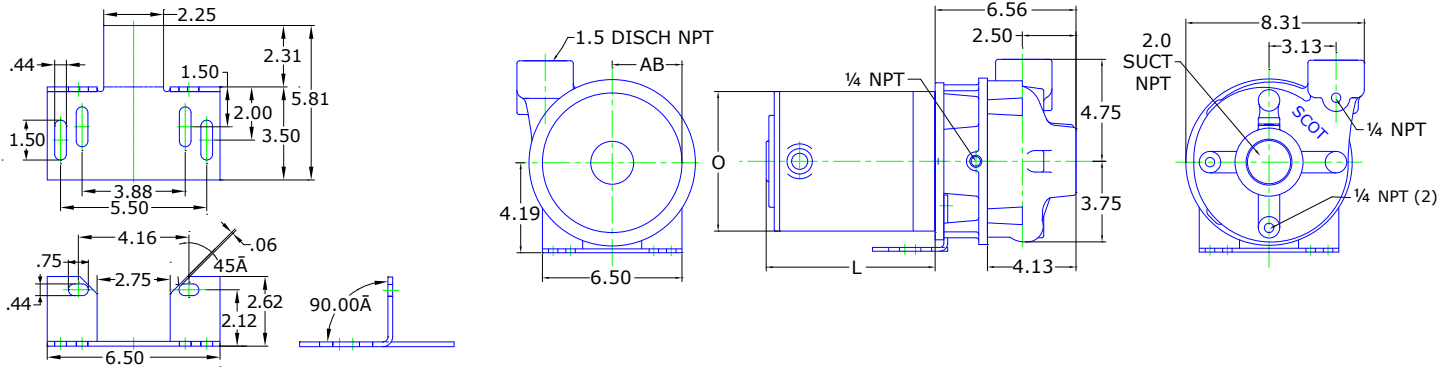
Iron, 60 Hz, 2 X 1.5 X 5.5 NPT

16 C56

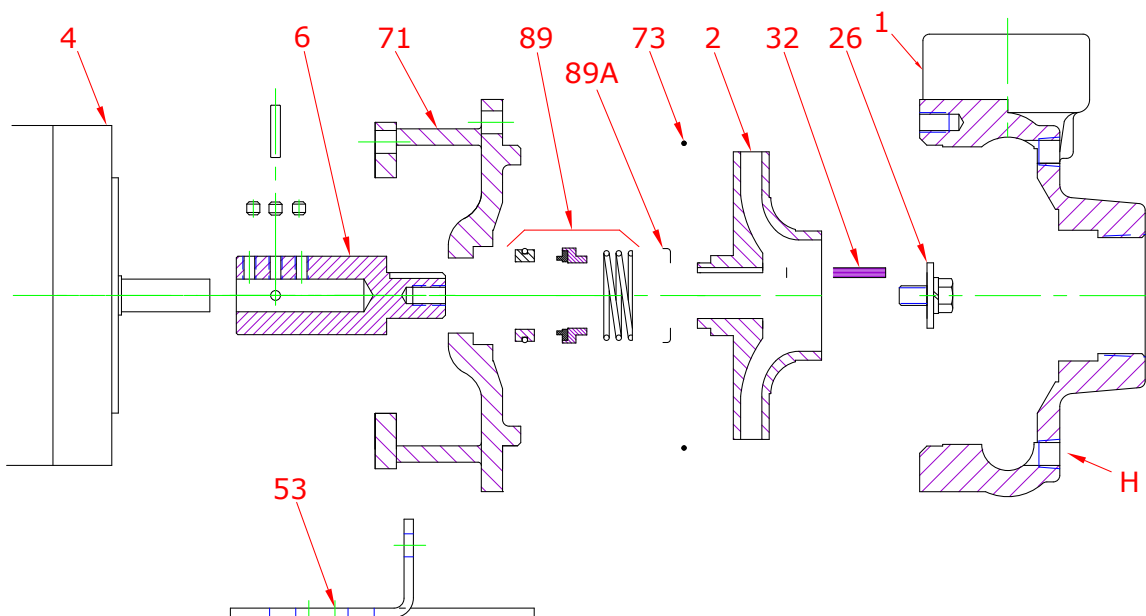


MOTOR DIMENSIONS							
NEMA C56 FRAME 1750 RPM							
HP	FRAME	ODP			TEFC		
		L	O	AB	L	O	AB
0.5	C56	9.16	6.19	5.06	9.48	7.25	5.88

DRAWING DEPICTS 56C ODP MOTOR
ALL DIMENSIONS IN INCHES



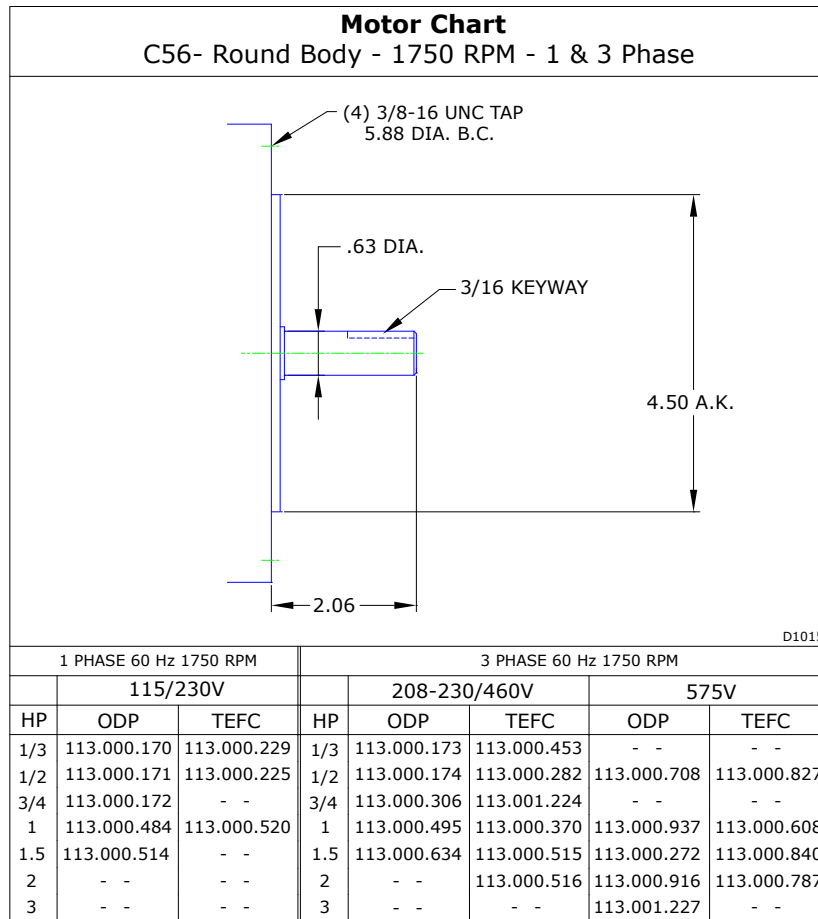
Parts



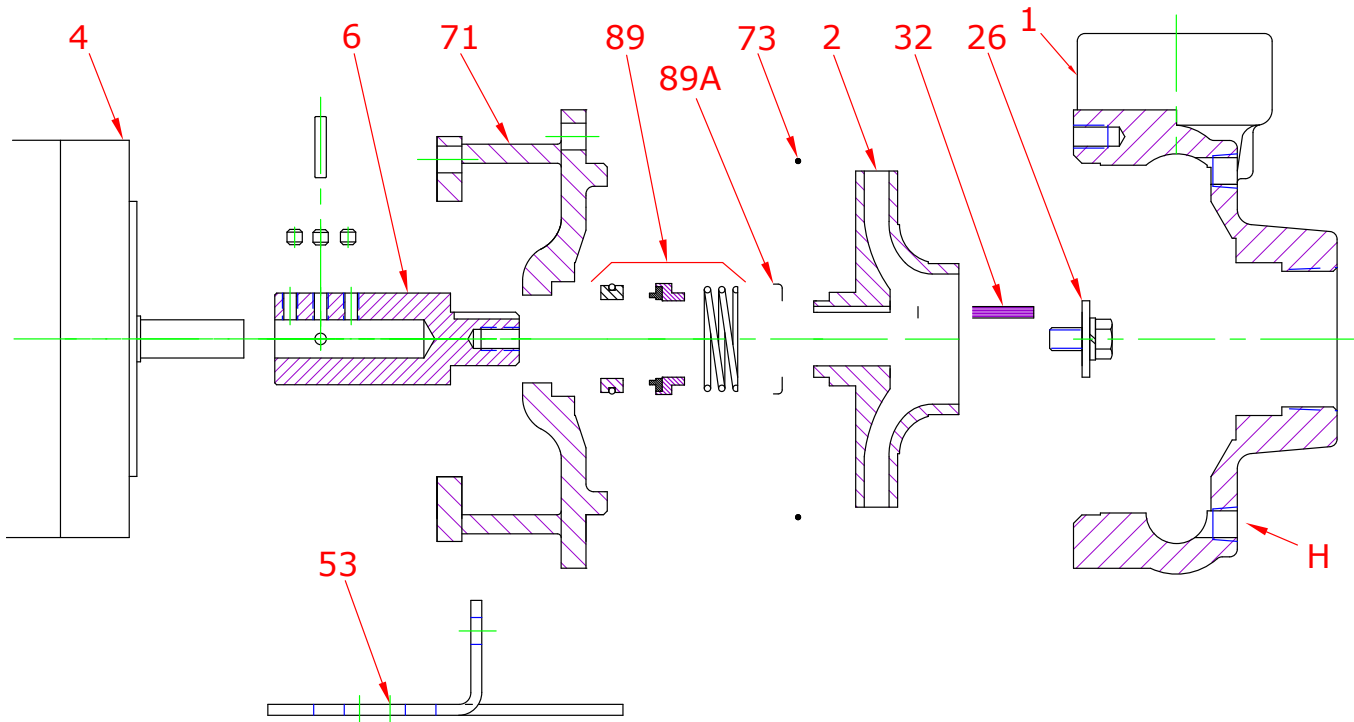
Key No.	Part Name	Part Number
1	Case 16, Iron, 2.00 X 1.50 NPT Brass plugs	130.000.181X
2	Impeller 16, Bronze, Specify Dia., 5.50 Max 7/8" Key	131.000.808
	Impeller 16, CIBF, Specify Dia., 5.50 Max 7/8" Key	131.000.826
	Impeller 16, Iron, Specify Dia., 5.50 Max 7/8" Key	137.000.127
4	Motor chart, C56	See Chart
6*	Stub Shaft Ass'y Stainless, includes set screws and pin	135.000.174X
	Stub Shaft Ass'y, Brass, includes set screws and pin	135.000.165X
26*	Impeller retaining assembly, Stainless	118.000.111A
32*	Key, Stainless	102.000.102
53	Base, Steel	119.000.237A
71	Adapter, Iron, JM140/180 1-1/2" Seal, Brass plug	132.000.194X
73*	Gasket, Case, Buna	116.000.146
89*	Seal, 1-1/2", Type 21, BN-CARB/CM	101.000.168
	Seal, 1-1/2", Type 21, EPDM-CARB/SIL	101.000.175B
	Seal, 1-1/2", Type 21, EPDM-SIL/SIL	101.000.204A
	Seal, 1-1/2", Type 21, VN-CARB/CM	101.000.191
	Seal, 1-1/2", Type 21, VN-CARB/SIL	101.000.175
	Seal, 1-1/2", Type 21, VN-SIL/SIL	101.000.204
89A*	Seal spring retainer, Stainless	104.000.175
KIT	Repair Kit, 1-1/2" BN-CARB/CM Seal, Brz stub	118.000.381
	Repair Kit, 1-1/2" EPDM-CARB/SIL Seal, Brz stub	118.000.381C
	Repair Kit, 1-1/2" EPDM-SIL/SIL Seal, Brz stub	118.000.381E
	Repair Kit, 1-1/2" VN-CARB/CM Seal, Stn stub	118.000.381A
	Repair Kit, 1-1/2" VN-CARB/SIL Seal, Brz stub	118.000.381B
	Repair Kit, 1-1/2" VN-SIL/SIL Seal, Stn stub	118.000.381D

* Denotes components included in repair kit.

Motor Charts



Construction Options



Construction Options				
Key	Part Name	Standard Fitted	Bronze Fitted	All Iron
1	Case	Iron	Iron	Iron
2	Impeller	CIBR	Bronze	Iron
6	Stub Shaft	Bronze	Bronze	Stainless
26	Impeller Retaining Assembly	Stainless	Stainless	Stainless
32	Key	Stainless	Stainless	Stainless
53	Base	Steel	Steel	Steel
71	Adapter	Iron	Iron	Iron
73	Gasket, Case	Buna	Buna	Buna
89	Mechanical Seal, Type 21 BN-CM	Standard	Standard	Standard
89A	Seal Spring Retainer	Stainless	Stainless	Stainless
H	Plug, Drain	Brass	Brass	Plated Steel

CIBR: Cast iron with brass wear ring