

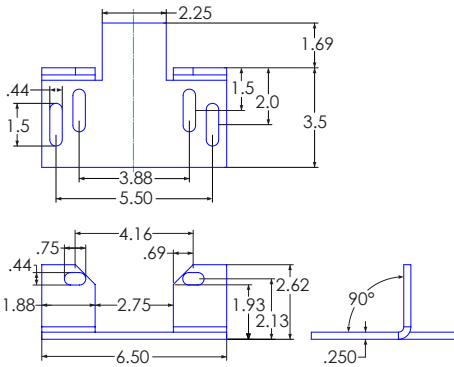
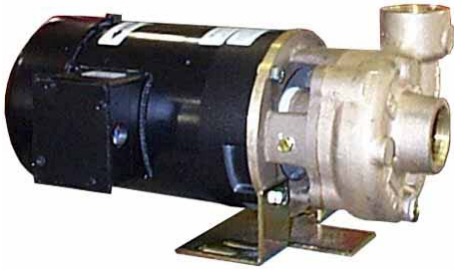


A WILO COMPANY

MOTORPUMP™ — 3500 RPM

Bronze, 60 Hz, 1.5 X 1.5 X 4.38 NPT

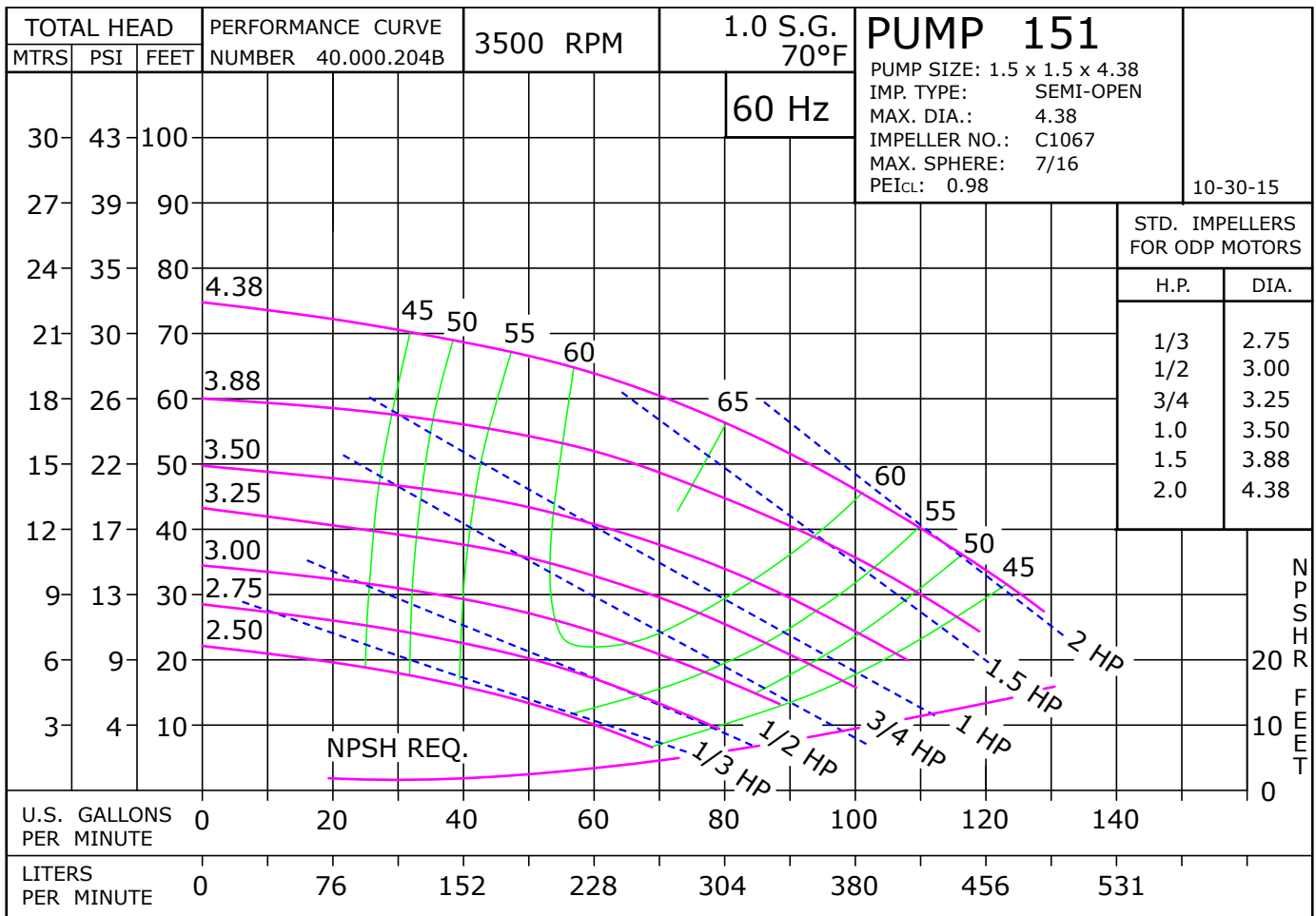
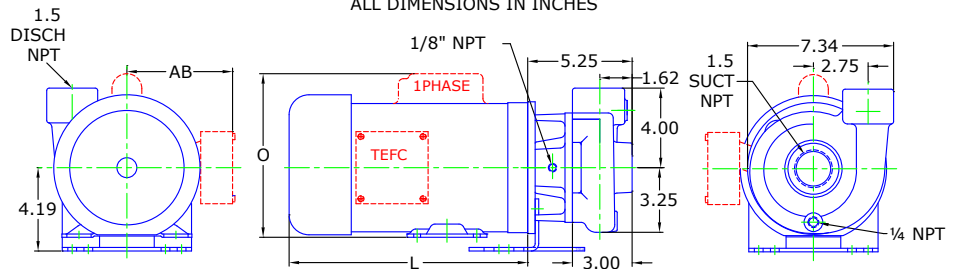
151 J56



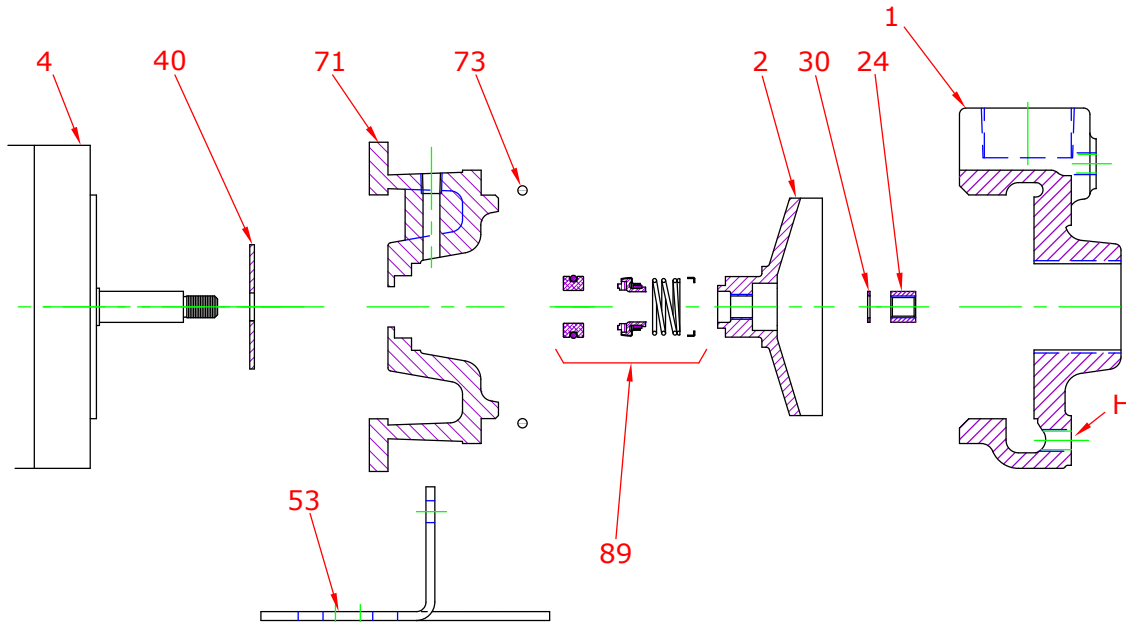
Motor Dimensions							
NEMA J56 Frame 3500 RPM							
HP	Type	3 Phase			1 Phase		
		L	O	AB	L	O	AB
0.50	ODP	8.26	6.46	3.32	9.06	8.37	3.25
0.75	ODP	8.65	6.46	3.32	9.56	8.37	3.25
1.0	ODP	8.65	6.46	3.32	9.81	8.37	3.25
1.5	ODP	9.04	6.46	3.32	10.31	8.37	3.25
2.0	ODP	9.44	6.46	3.32	10.31	8.37	3.25
0.5, 0.75	TEFC	9.48	7.33	5.87	9.43	8.10	5.31
1.0	TEFC	10.27	7.33	5.87	10.59	8.10	5.31
1.5	TEFC	11.06	7.33	5.87	10.59	8.10	5.31
2.0	TEFC	11.85	7.33	5.87	11.77	8.10	5.31

Motors are Standard Efficient with the exception of the 1-2 HP 3 phase TEFC, which are Premium Efficient.

DRAWING DEPICTS 56J 1PHASE TEFC MOTOR
ALL DIMENSIONS IN INCHES



Parts



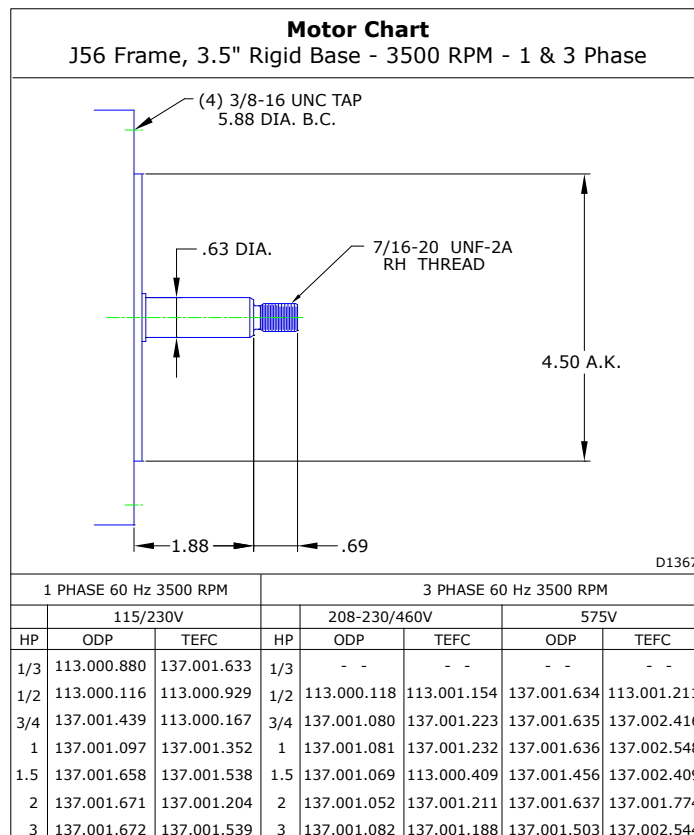
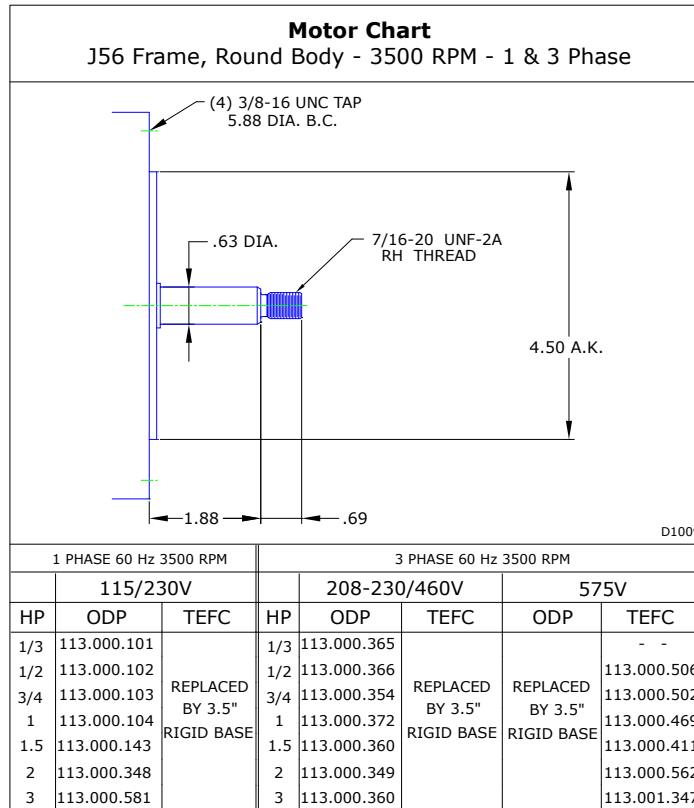
Key No.	Part Name	Part Number	
1	Case 151, Bronze, 1.50 X 1.50 NPT Brass plug	130.000.280X	
2	Impeller 51, Brnz, Specify Dia., 4.37 Max 7/16" Thrd	137.000.119	
4	Motor chart, J56 3.5" Rigid Base	See Chart	
	Motor chart, J56 Round Body	See Chart	
24*+	Nut, Stainless	105.000.465	
30*+	D Washer, Stainless	104.000.168	
40*	Flinger, Neoprene	104.000.171	
53	Base, Steel	119.000.231A	
71	Adapter, Bronze, J56 5/8" Seal, with Brass plug	132.000.289X	
73*	Gasket, Case, Buna	116.000.141	
89*	Seal, 5/8", Type 21, EPDM-CARB/CM, With retainer	101.000.327	
	Seal, 5/8", Type 21, EPDM-CARB/SIL, With retainer	101.000.173	
	Seal, 5/8", Type 21, EPDM-SIL/SIL, With retainer	101.000.236	
	Seal, 5/8", Type 21, VN-CARB/CM, With retainer	101.000.103	
	Seal, 5/8", Type 21, VN-CARB/SIL, With retainer	101.000.120	
	Seal, 5/8", Type 21, VN-SIL/SIL, With retainer	101.000.239	
	Seal, 5/8", Type 6, BN-CARB/CM, No retainer	101.000.110	
KIT		3 Phase:	1 Phase:
	Repair Kit, 5/8" BN-CARB/CM Seal	118.000.341	118.000.341.1
	Repair Kit, 5/8" EPDM-CARB/CM Seal	118.000.341G	118.000.341D.1
	Repair Kit, 5/8" EPDM-CARB/SIL Seal	118.000.341C	118.000.341G.1
	Repair Kit, 5/8" EPDM-SIL/SIL Seal	118.000.341D	118.000.341C.1
	Repair Kit, 5/8" VN-CARB/CM Seal	118.000.341A	118.000.341A.1
	Repair Kit, 5/8" VN-CARB/SIL Seal	118.000.341B	118.000.341B.1
Repair Kit, 5/8" VN-SIL/SIL Seal	118.000.341F	118.000.341F.1	

* Denotes components included in repair kit.

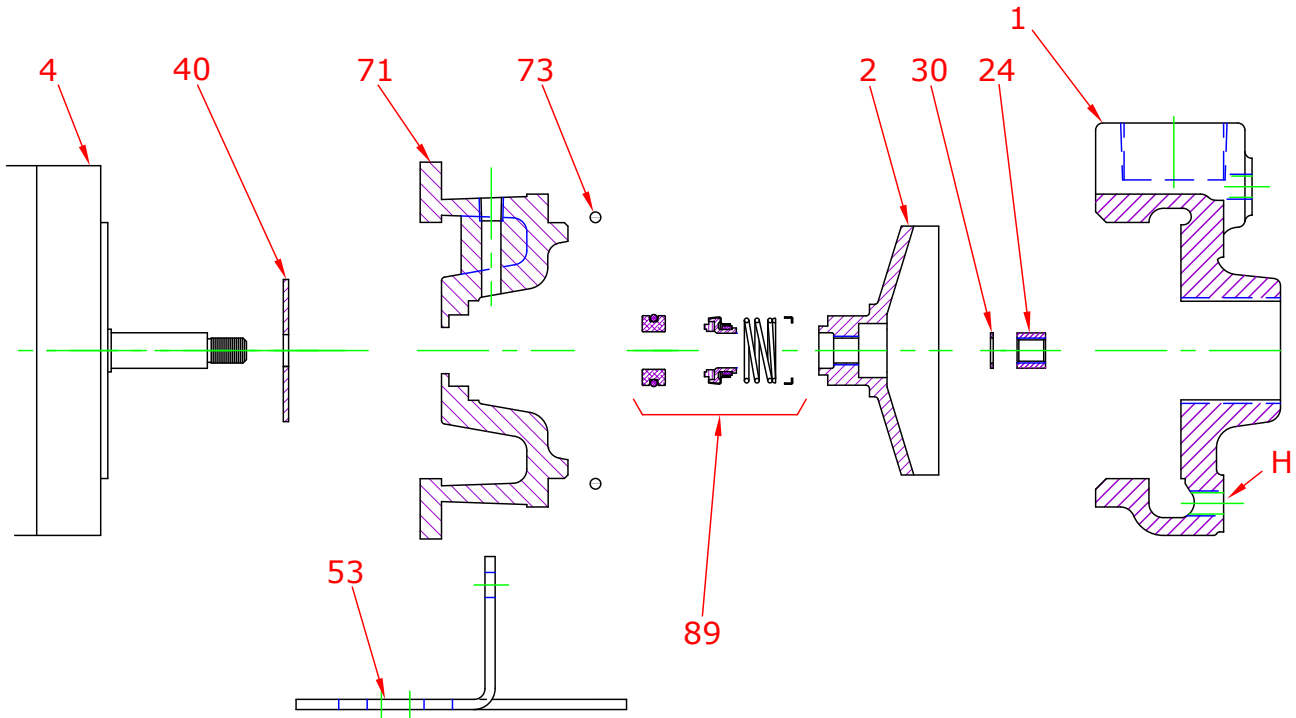
+ Not required on 1/3 to 1-1/2 HP 1 phase motors.

Use 3 phase kits on 2-3 HP 1 phase motors.

Motor Charts



Construction Options



Construction Options		
Key No.	Part Name	All Bronze
1	Case	Bronze
2	Impeller	Bronze
24	Impeller Locknut	Stainless
30	D-Washer	Stainless
40	Flinger	Neoprene
53	Base	Steel
71	Adapter	Bronze
73	Gasket, Case	Buna
89	Mechanical Seal, Type 6, BN-CARB/CM	Standard
H	Plug, Drain	Brass