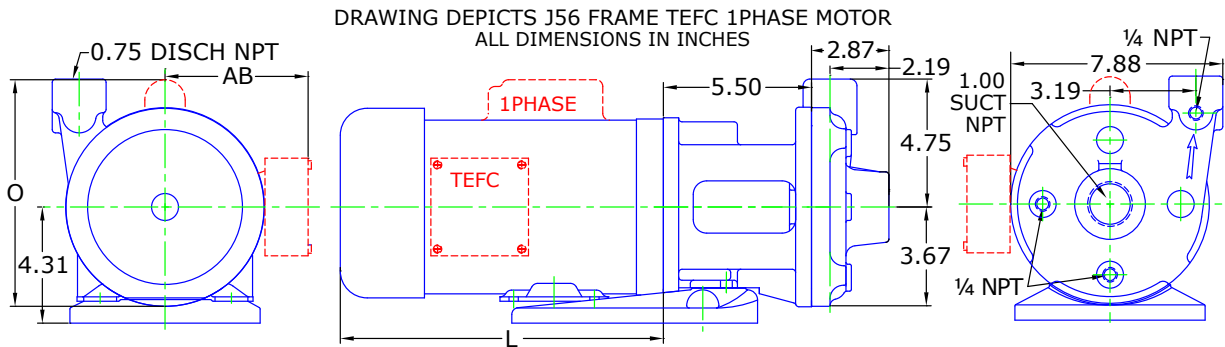


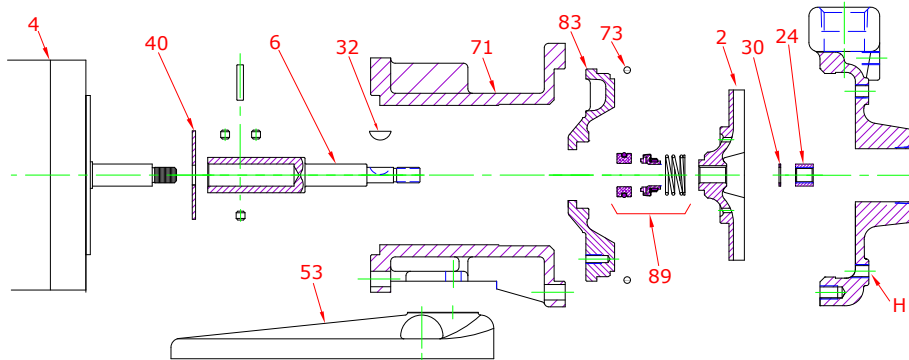


Motor Dimensions							
NEMA J56 Frame 3500 RPM							
HP	Type	3 Phase			1 Phase		
		L	O	AB	L	O	AB
0.50	TEFC	9.48	7.33	5.87	9.43	8.10	5.31
0.75	TEFC	9.48	7.33	5.87	9.43	8.10	5.31
1.0	TEFC	10.27	7.33	5.87	10.59	8.10	5.31
1.5	TEFC	11.06	7.33	5.87	10.59	8.10	5.31
2.0	TEFC	11.85	7.33	5.87	11.77	8.10	5.31
3.0	TEFC	13.03	7.33	5.87	12.16	8.10	5.31

Motors are Standard Efficient with the exception of the 1-2 HP 3 phase TEFC, which are Premium Efficient.

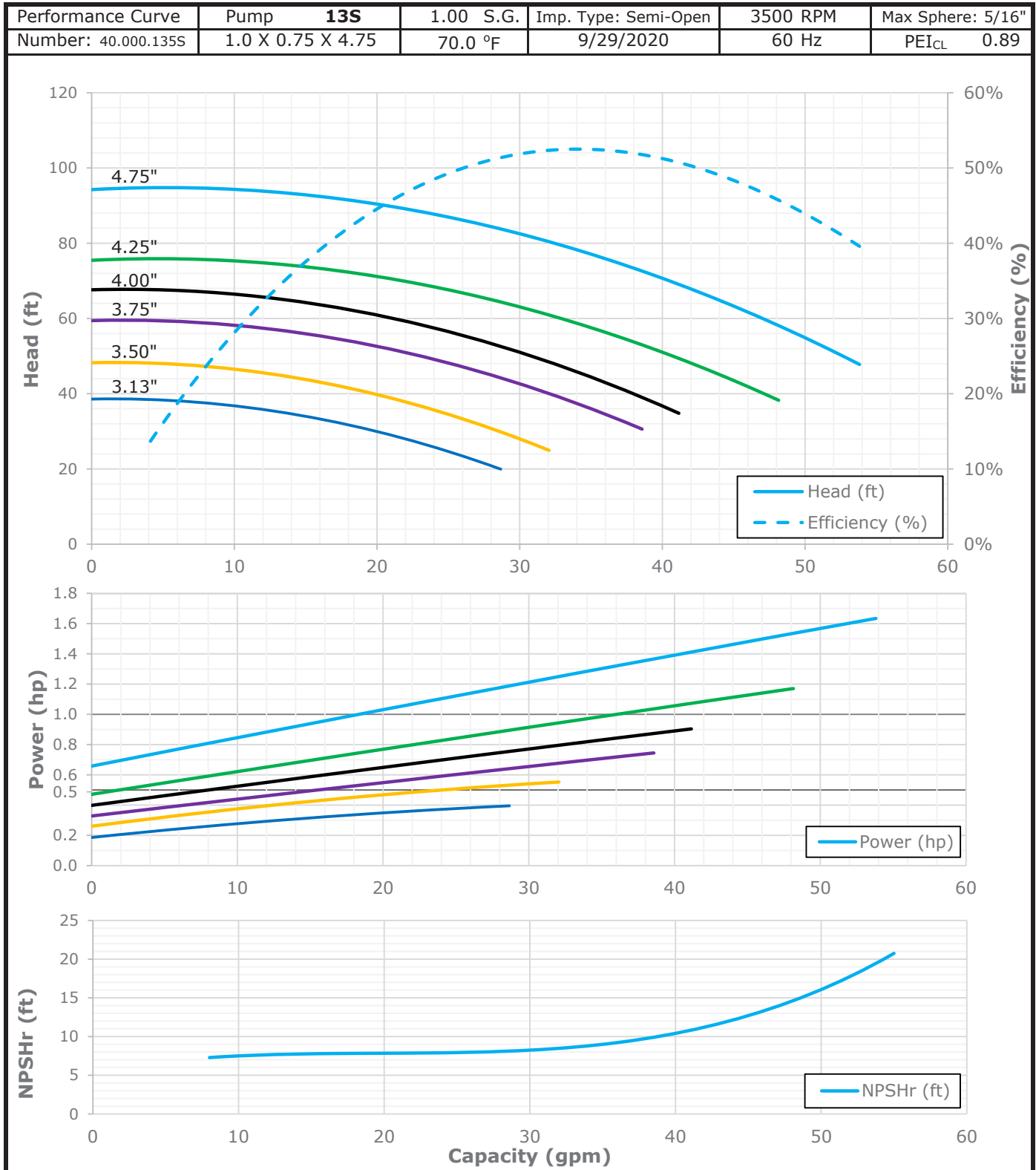


**Construction Options**

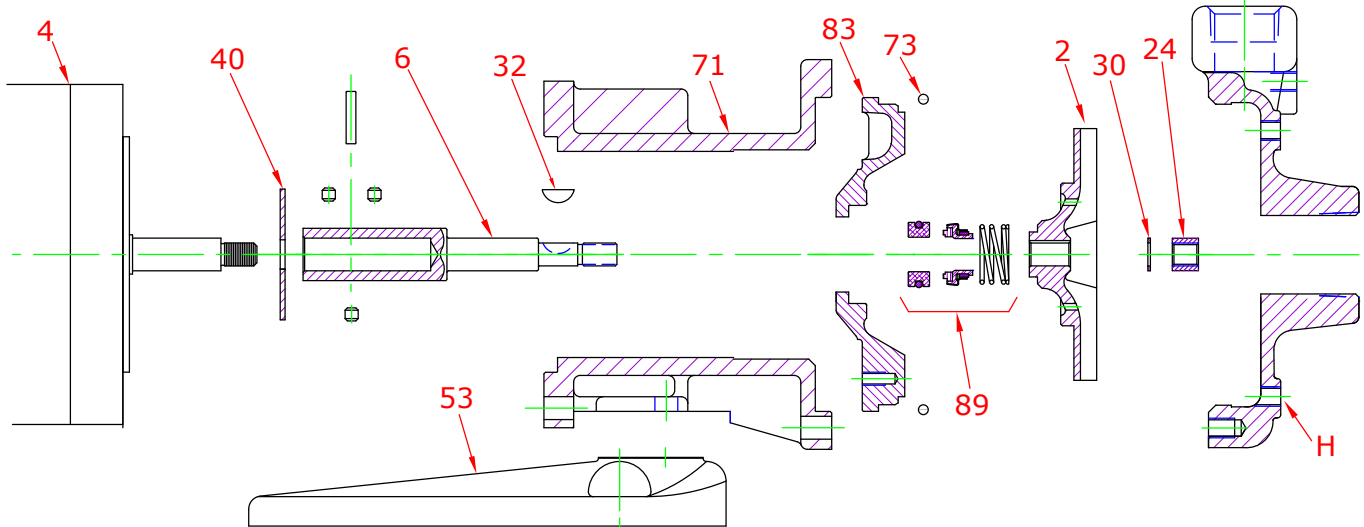


Key	Part Name	Standard Fitted
1	Case	316SS
2	Impeller	316SS
6	Stub Shaft	316SS
24	Impeller Locknut	316SS
30	D-Washer	316SS
32	Key	316SS
40	Flinger	Neoprene
53	Base	Iron
71	Adapter	Iron
73	Gasket, Case	Viton
83	Backplate	316SS
89	Mechanical Seal, Type 21, VN-SIL/SIL	Standard
H	Plug, Drain	316SS

**Performance Curve**



**Parts**



Key	Part Name	Part Number	
1	Case 13S, 316SS, 1.00 X 0.75 NPT Stn plugs	130.000.212X	
2	Impeller 13S, 316SS, Specify Dia., 4.75 Max 7/16" Key	137.000.105	
4	Motor chart, J56 3.5" Rigid Base	See Chart	
6	Stub Shaft Ass'y 316SS, includes set screws and pin	135.000.200X	
24*+	Nut, 316SS	105.000.174A	
30*+	Lock washer, 316SS	104.000.129A	
32	Key, Woodruff, 316SS	102.000.101A	
40*	Flinger, Neoprene	104.000.171	
53	Base, Iron	110.000.121	
71	Adapter, Iron, JP140/180	132.000.120	
73*	Gasket, Case, Viton	116.000.150	
83	Backplate, 316 Stainless 5/8" Seal	132.000.231	
89*	Seal, 5/8", Type 21, VN-SIL/SIL, With retainer, 316SS	101.000.239A	
KIT	Repair Kit, 5/8" VN-SIL/SIL Seal, 316SS Stub	<b>3 Phase:</b>	<b>1 Phase:</b>
		118.000.538C	118.000.538C.1

\* Denotes components included in repair kit.

+ Not required on 1/3 to 1-1/2 HP 1 phase motors.

Use 3 phase kits on 2-3 HP 1 phase motors.

**Motor Charts**

