



A WILO COMPANY

MOTORPUMP™ — 1750 RPM

Iron, 60 Hz, 3 X 2 X 8 ANSI FLG

102 JP

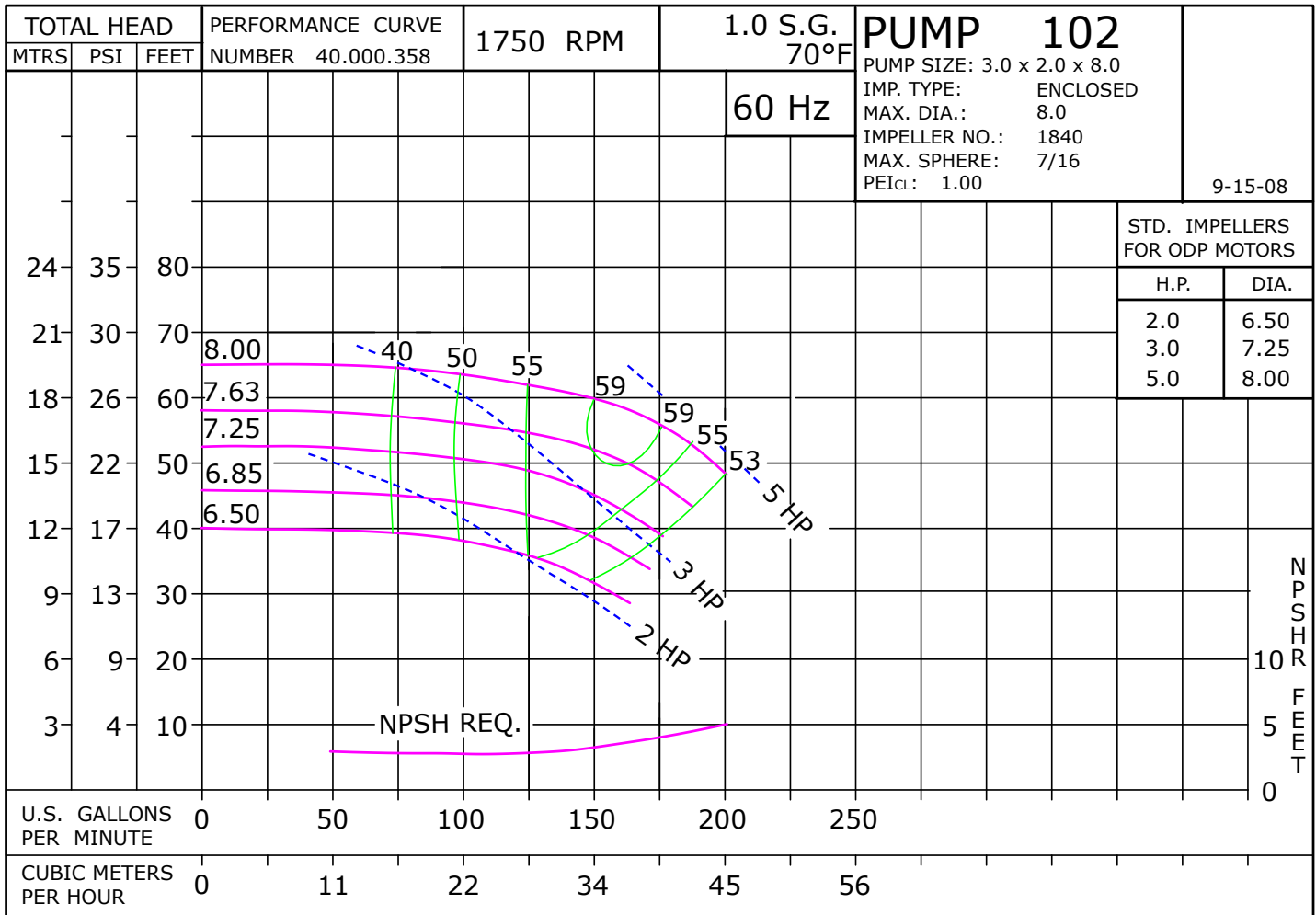
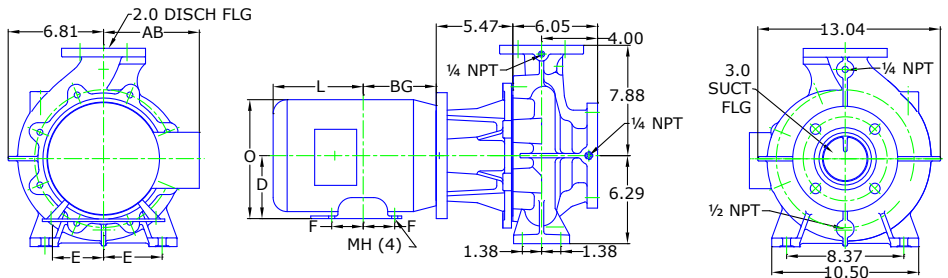


MOTOR DIMENSIONS

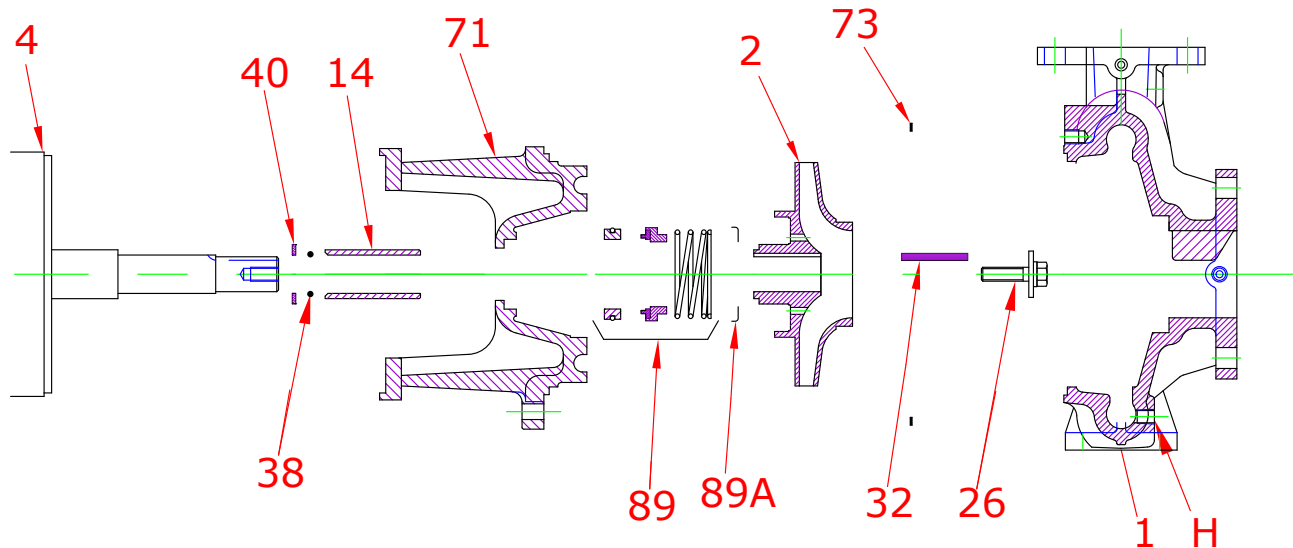
NEMA JP FRAME 3 PHASE 1750 RPM

HP	Type	Frame	D	E	F	O	AB	BG	L	MH
2	ODP	JP145	3.50	2.75	2.50	6.75	5.87	5.25	5.38	0.34
3	ODP	JP182	4.50	3.75	2.25	8.56	6.70	5.75	6.65	0.41
5	ODP	JP184	4.50	3.75	3.75	8.56	6.70	6.25	7.34	0.41
2	TEFC	JP145	3.50	2.75	2.50	7.00	6.25	5.06	6.34	0.34
3	TEFC	JP182	4.50	3.75	2.25	8.85	7.57	5.01	7.14	0.41
5	TEFC	JP184	4.50	3.75	2.75	8.85	7.57	5.51	7.64	0.41

DRAWING DEPICTS 182JP 3HP ODP MOTOR
ALL DIMENSIONS IN INCHES



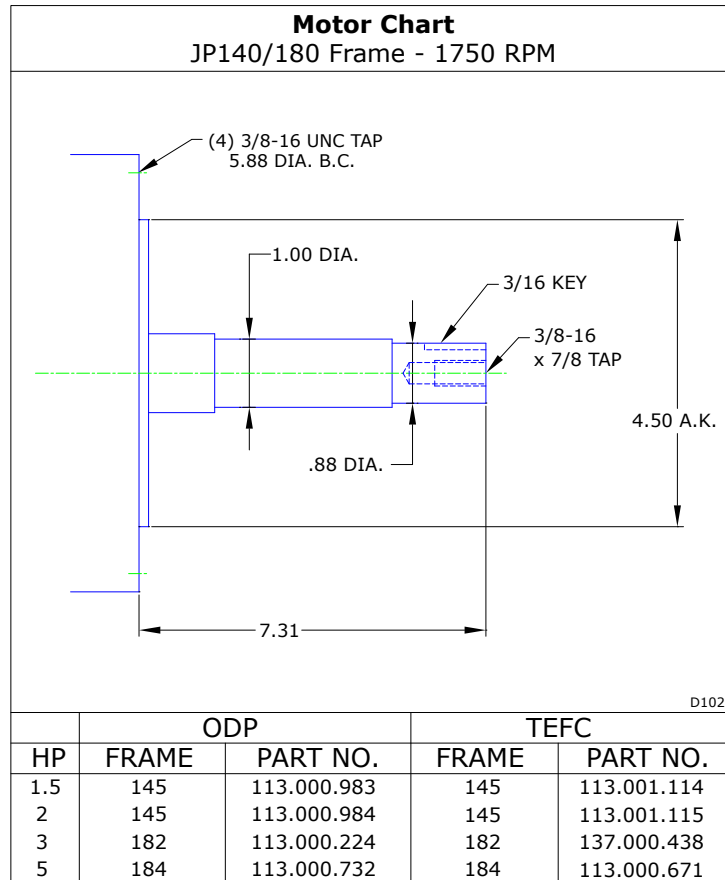
Parts



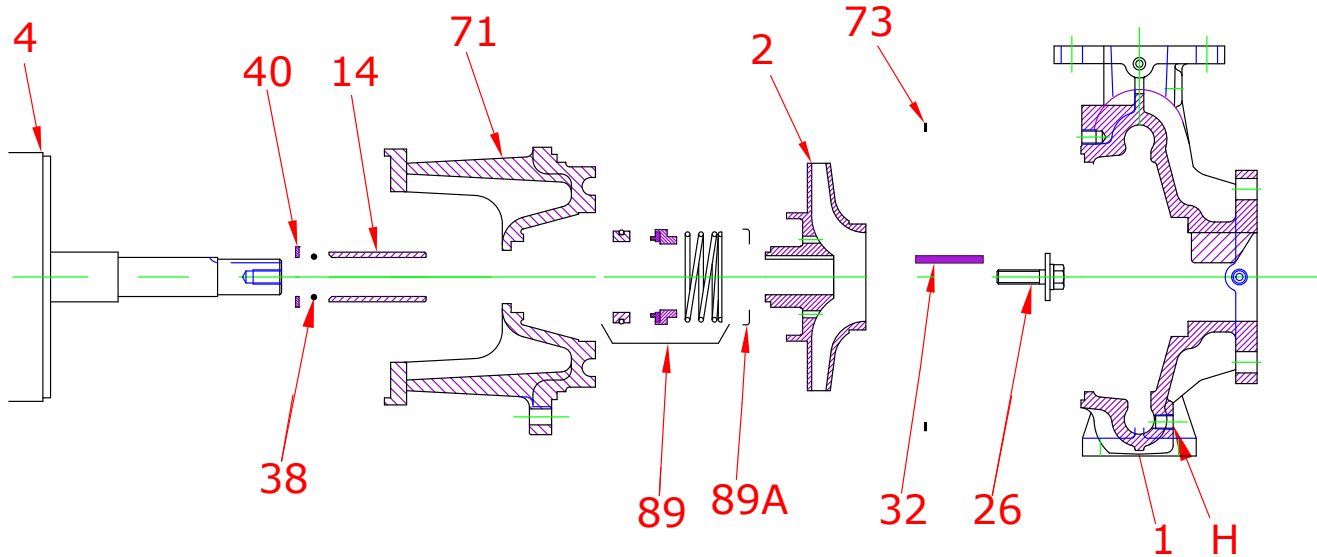
Key No.	Part Name	Part Number
1	Case 102, Iron, 3.00 X 2.00 FLG Brass plugs	130.000.308X
2	Impeller 102, Iron, Tefcoted, Specify Dia., 8.00 Max 7/8" Key	137.000.174.TC
4	Motor chart, JP140/180	See Chart
14*	Shaft Sleeve, Bronze	110.000.399
	Shaft Sleeve, Stainless	110.000.361
26*	Impeller retaining assembly, Stainless	118.000.635
32*	Key, Stainless	102.000.256
38*	O-ring, Shaft, Buna	116.000.117
	O-ring, Shaft, Viton	116.000.105
40*	Flinger, Stainless	104.000.256
71	Adapter, Iron, JP140/180 1-1/2" Seal	132.000.391
73*	Gasket, Case, Fiber	116.000.276
89*	Seal, 1-1/2", Type 21, BN-CARB/CM	101.000.168
	Seal, 1-1/2", Type 21, EPDM-CARB/SIL	101.000.175B
	Seal, 1-1/2", Type 21, EPDM-SIL/SIL	101.000.204A
	Seal, 1-1/2", Type 21, VN-CARB/CM	101.000.191
	Seal, 1-1/2", Type 21, VN-CARB/SIL	101.000.175
	Seal, 1-1/2", Type 21, VN-SIL/SIL	101.000.204
89A*	Seal spring retainer, Stainless	104.000.174
KIT	Repair Kit, 1-1/2" BN-CARB/CM Seal, Brz sleeve, BN O-ring	118.000.413
	Repair Kit, 1-1/2" EPDM-CARB/SIL Seal, Brz sleeve, BN O-ring	118.000.413D
	Repair Kit, 1-1/2" EPDM-SIL/SIL Seal, Brz sleeve, BN O-ring	118.000.413E
	Repair Kit, 1-1/2" VN-CARB/CM Seal, Brz sleeve, BN O-ring	118.000.413A
	Repair Kit, 1-1/2" VN-CARB/CM Seal, Stn sleeve, VN O-ring	118.000.413F
	Repair Kit, 1-1/2" VN-CARB/SIL Seal, Brz sleeve, BN O-ring	118.000.413B
	Repair Kit, 1-1/2" VN-SIL/SIL Seal, Stn sleeve, VN O-ring	118.000.413G
	Repair Kit, 1-1/2" VN-SILB/SIL Seal, Brz sleeve, BN O-ring	118.000.413C

* Denotes components included in repair kit.

Motor Charts



Construction Options



Construction Options			
Key No.	Part Name	Standard Fitted	All Iron
1	Case	Iron	Iron
2	Impeller	Iron	Iron
14	Shaft Sleeve	Bronze	Stainless
26	Impeller Retainer	Stainless	Stainless
32	Key	Stainless	Stainless
38	Shaft O-Ring	Buna	Buna
40	Flinger	Stainless	Stainless
71	Adapter	Iron	Iron
73	Gasket, Case	Fiber	Fiber
89	Mechanical Seal, Type 21 BN-CM	Standard	Standard
89A	Seal Spring Retainer	Stainless	Stainless
H	Plug, Drain	Brass	Plated Steel