



A WILO COMPANY

MOTORPUMP™ — 3500 RPM

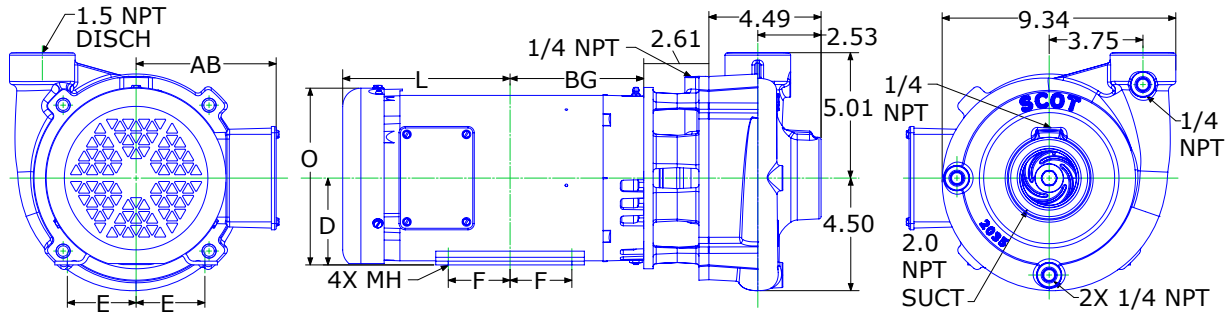
Iron, 60 Hz, 2 X 1.5 X 6.5 NPT

701 JM



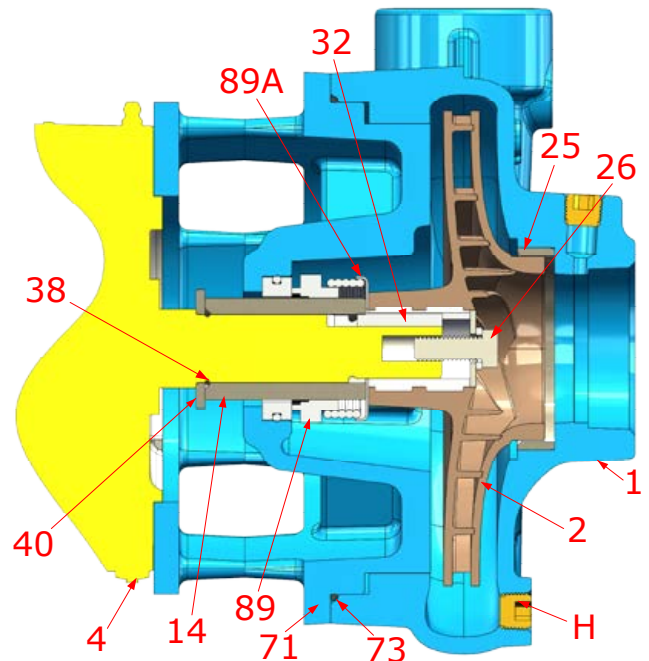
| Motor Dimensions | | | | | | | | | | |
|------------------|-------------------|----------|---------|----------|------|------|------|------|------|------|
| NEMA | Premium Efficient | JM Frame | 3 Phase | 3500 RPM | | | | | | |
| HP | Type | Frame | D | E | F | O | AB | BG | L | MH |
| 2, 3 | ODP | JM145 | 3.50 | 2.75 | 2.50 | 6.77 | 5.61 | 5.38 | 4.12 | 0.34 |
| 5 | ODP | JM182 | 4.50 | 3.75 | 2.25 | 8.44 | 6.74 | 5.75 | 5.12 | 0.41 |
| 7.5 | ODP | JM184 | 4.50 | 3.75 | 2.25 | 8.44 | 6.74 | 5.75 | 6.56 | 0.41 |
| 2 | TEFC | JM145 | 3.50 | 2.75 | 2.50 | 7.00 | 6.25 | 5.06 | 6.34 | 0.34 |
| 3 | TEFC | JM182 | 4.50 | 3.75 | 2.25 | 8.85 | 7.57 | 5.01 | 7.14 | 0.41 |
| 5, 7.5 | TEFC | JM184 | 4.50 | 3.75 | 2.75 | 9.34 | 7.57 | 5.51 | 7.64 | 0.41 |

DRAWING DEPICTS JM143 3 HP TEFC MOTOR
ALL DIMENSIONS IN INCHES



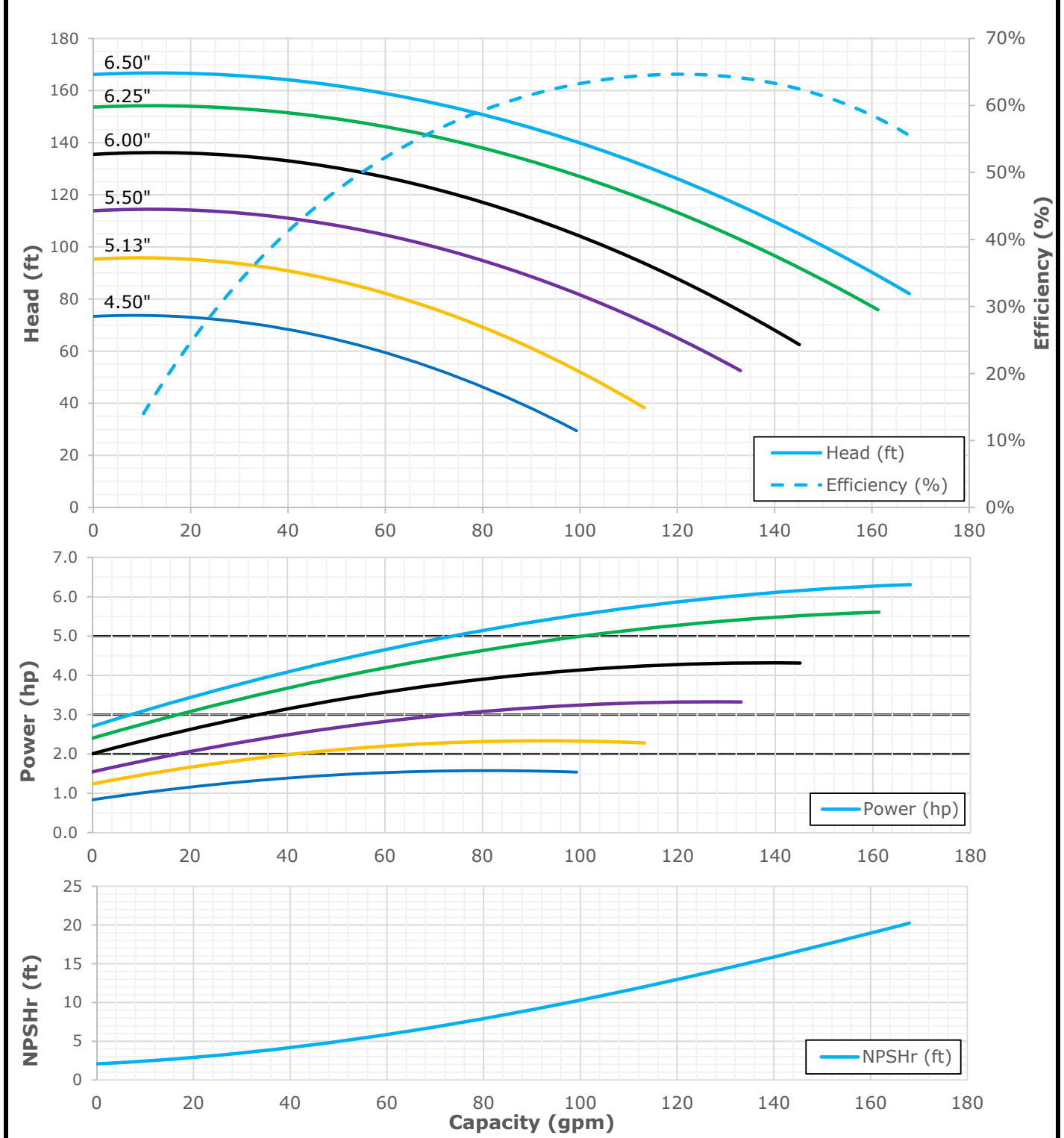
Construction

| Key | Part Name | Standard Fitted | All Iron |
|-----|--------------------------------|-----------------|--------------|
| 1 | Case | Iron | Iron |
| 2 | Impeller | PPS-GF | PPS-GF |
| 14 | Shaft Sleeve | Bronze | Stainless |
| 25 | Wear Ring | Bronze | Steel |
| 26 | Impeller Retaining Assembly | Stainless | Stainless |
| 32 | Key | Stainless | Stainless |
| 38 | O-Ring, Shaft | Buna | Buna |
| 40 | Flinger | Stainless | Stainless |
| 71 | Adapter | Iron | Iron |
| 73 | Gasket, Case | Buna | Buna |
| 89 | Mechanical Seal, Type 21 BN-CM | Standard | Standard |
| 89A | Seal Retainer | Stainless | Stainless |
| H | Plug, Drain | Brass | Plated Steel |

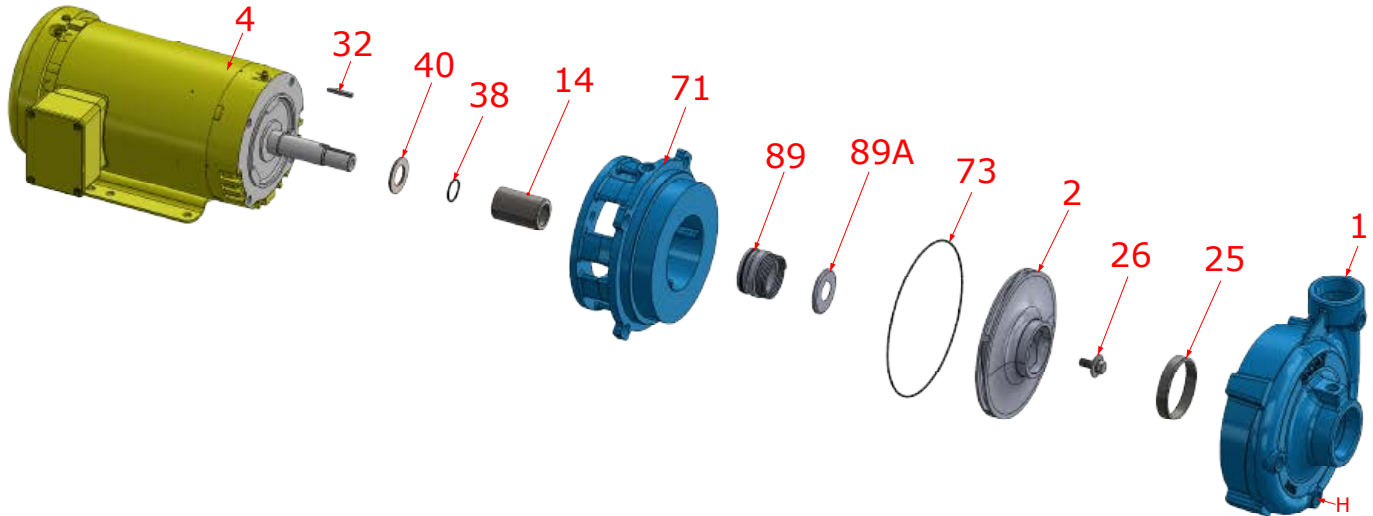


Performance Curve

| | | | | | |
|--------------------|------------------|-----------|---------------------|----------|------------------------|
| Performance Curve | Pump 701 | 1.00 S.G. | Imp. Type: Enclosed | 3500 RPM | Max Sphere: 1/4" |
| Number: 40.000.768 | 2.0 X 1.5 X 6.50 | 70.0 °F | 2/17/2020 | 60 Hz | PEI _{CL} 0.96 |



Parts



| Key No. | Part Name | Part Number |
|---------|---|--------------|
| 1+ | Case 701/702, Iron, 2.0 X 1.5 NPT Brass wear ring and plugs | 3301059X |
| 2 | Impeller 701, PPS-GF, Specify Dia., 6.50 Max 7/8" Key | 3301109 |
| 4 | Motor chart, JM140/180 | See Chart |
| 14* | Shaft sleeve, Bronze | 110.000.178 |
| | Shaft sleeve, Stainless | 110.000.192 |
| 25 | Wear ring, Bronze | 3301115 |
| | Wear ring, Steel | 3301114 |
| 26* | Impeller retaining assembly, Stainless | 118.000.680 |
| 32* | Key, Stainless | 137.003.137 |
| 38* | O-ring, Shaft, Buna | 116.000.117 |
| | O-ring, Shaft, Viton | 116.000.105 |
| 40* | Flinger, Stainless | 104.000.256 |
| 71 | Adapter, Iron, JM140/180 1-1/2" Seal, with Brass plug | 3301153X |
| 73* | Gasket, Case, Buna | 137.003.117 |
| 89* | Seal, 1.5" Type 21, BN-CARB/CM | 101.000.168 |
| | Seal, 1.5" Type 21, EPDM-CARB/SIL | 101.000.175B |
| | Seal, 1.5" Type 21, EPDM-SIL/SIL | 101.000.204A |
| | Seal, 1.5" Type 21, VN-CARB/CM | 101.000.191 |
| | Seal, 1.5" Type 21, VN-CARB/SIL | 101.000.175 |
| | Seal, 1.5" Type 21, VN-SIL/SIL | 101.000.204 |
| 89A* | Seal spring retainer, Stainless | 104.000.174 |
| KIT | Repair Kit, 1.5" BN-CARB/CM Seal, Brz sleeve, BN O-ring | 118.000.681 |
| | Repair Kit, 1.5" EPDM-CARB/SIL Seal, Brz sleeve, BN O-ring | 118.000.681C |
| | Repair Kit, 1.5" EPDM-SIL/SIL Seal, Brz sleeve, BN O-ring | 118.000.681D |
| | Repair Kit, 1.5" VN-CARB/CM Seal, Brz sleeve, BN O-ring | 118.000.681K |
| | Repair Kit, 1.5" VN-CARB/CM Seal, Stn sleeve, VN O-ring | 118.000.681A |
| | Repair Kit, 1.5" VN-CARB/SIL Seal, Brz sleeve, BN O-ring | 118.000.681B |
| | Repair Kit, 1.5" VN-SIL/SIL Seal, Stn sleeve, VN O-ring | 118.000.681F |

* Denotes components included in repair kit.

+ Includes bronze wear ring. For steel, replace suffix "X" with "X1".

Motor Charts

