

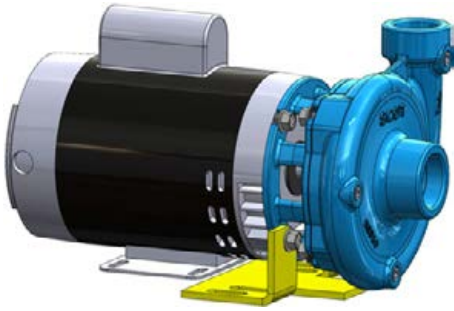


A WILO COMPANY

# MOTORPUMP™ — 3500 RPM

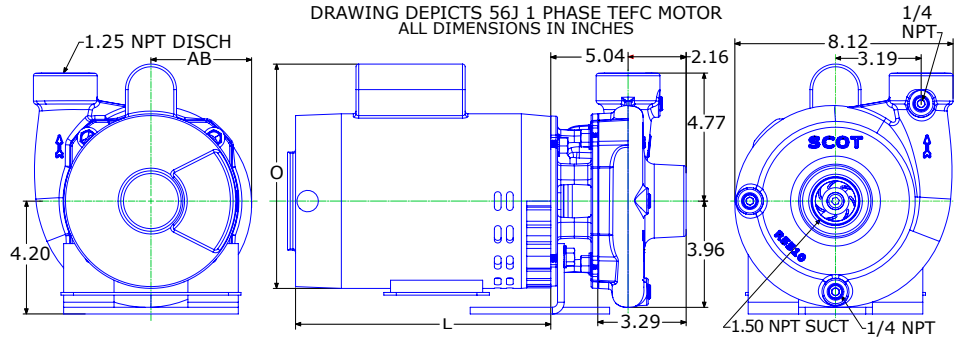
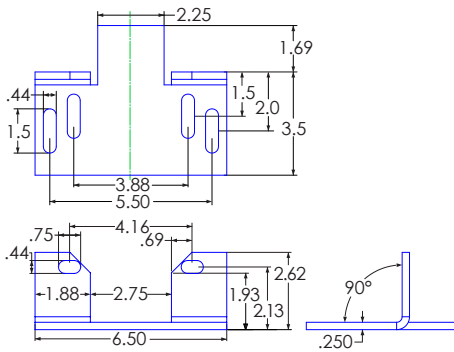
Iron, 60 Hz, 1.5 X 1.25 X 5.5 NPT

# 503 J56



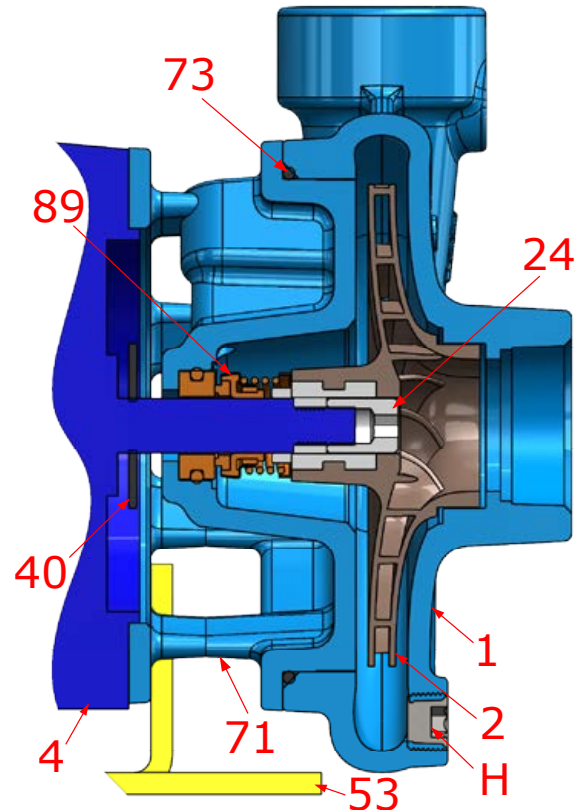
| Motor Dimensions        |      |         |      |      |         |      |      |
|-------------------------|------|---------|------|------|---------|------|------|
| NEMA J56 Frame 3500 RPM |      |         |      |      |         |      |      |
| HP                      | Type | 3 Phase |      |      | 1 Phase |      |      |
|                         |      | L       | O    | AB   | L       | O    | AB   |
| 1.0                     | ODP  | 8.65    | 6.46 | 3.32 | 9.81    | 8.37 | 3.25 |
| 1.5                     | ODP  | 9.04    | 6.46 | 3.32 | 10.31   | 8.37 | 3.25 |
| 2.0                     | ODP  | 9.44    | 6.46 | 3.32 | 10.31   | 8.37 | 3.25 |
| 3.0                     | ODP  | 10.22   | 6.46 | 3.32 | 10.84   | 8.37 | 3.25 |
| 1.0                     | TEFC | 10.27   | 7.33 | 5.87 | 10.59   | 8.10 | 5.31 |
| 1.5                     | TEFC | 11.06   | 7.33 | 5.87 | 10.59   | 8.10 | 5.31 |
| 2.0                     | TEFC | 11.85   | 7.33 | 5.87 | 11.77   | 8.10 | 5.31 |
| 3.0                     | TEFC | 13.03   | 7.33 | 5.87 | 12.16   | 8.10 | 5.31 |

Motors are Standard Efficient with the exception of the 1-2 HP 3 phase TEFC, which are Premium Efficient.



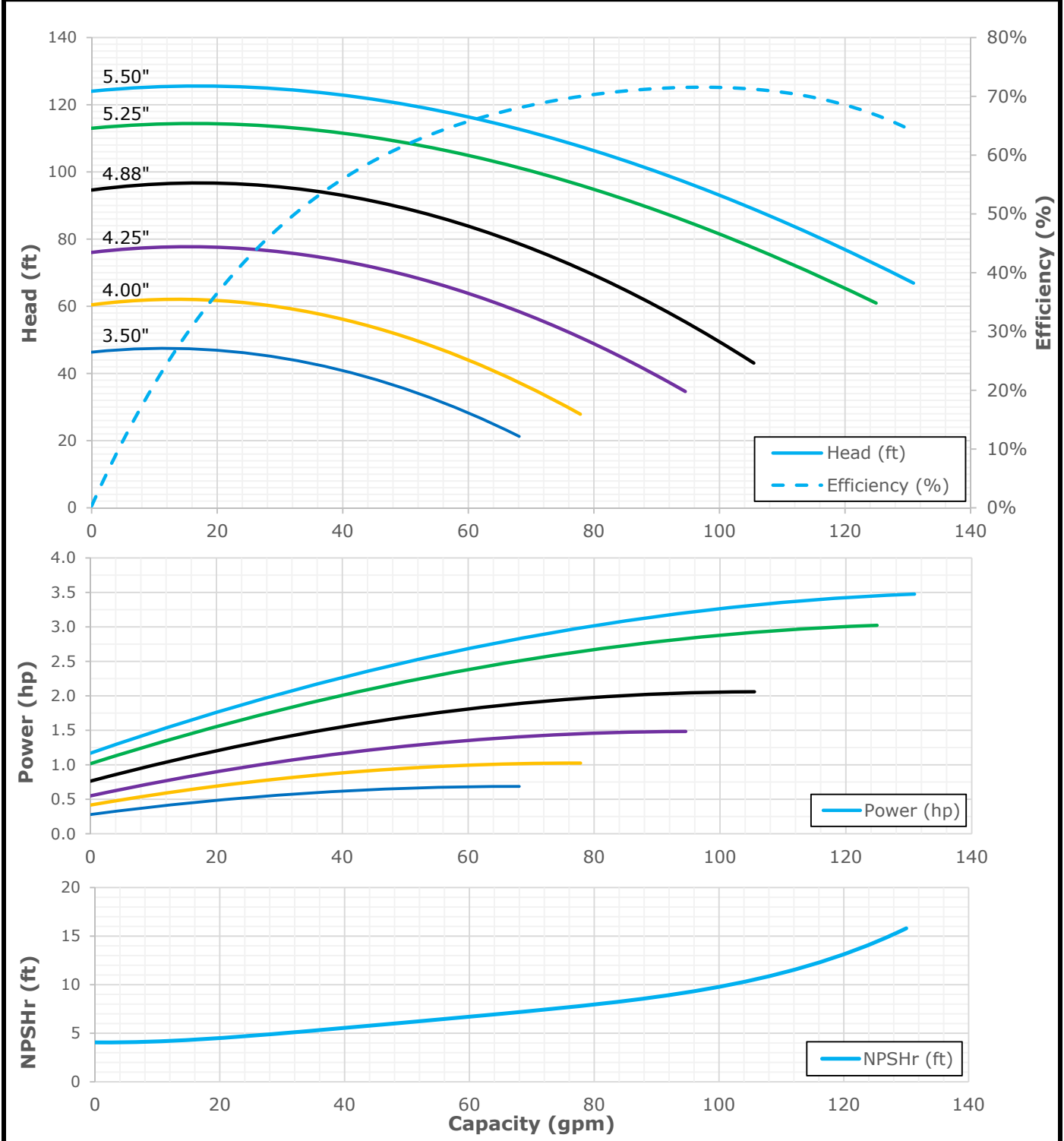
## Construction Options

| Key | Part Name                     | Standard Fitted | All Iron     |
|-----|-------------------------------|-----------------|--------------|
| 1   | Case                          | Iron            | Iron         |
| 2   | Impeller                      | PPS GF          | PPS GF       |
| 24  | Impeller Locknut              | Stainless       | Stainless    |
| 40  | Flinger                       | Neoprene        | Neoprene     |
| 53  | Base                          | Steel           | Steel        |
| 71  | Adapter                       | Iron            | Iron         |
| 73  | Gasket, Case                  | Buna            | Buna         |
| 89  | Mechanical Seal, Type 6 BN-CM | Standard        | Standard     |
| H   | Plug, Drain                   | Brass           | Plated Steel |

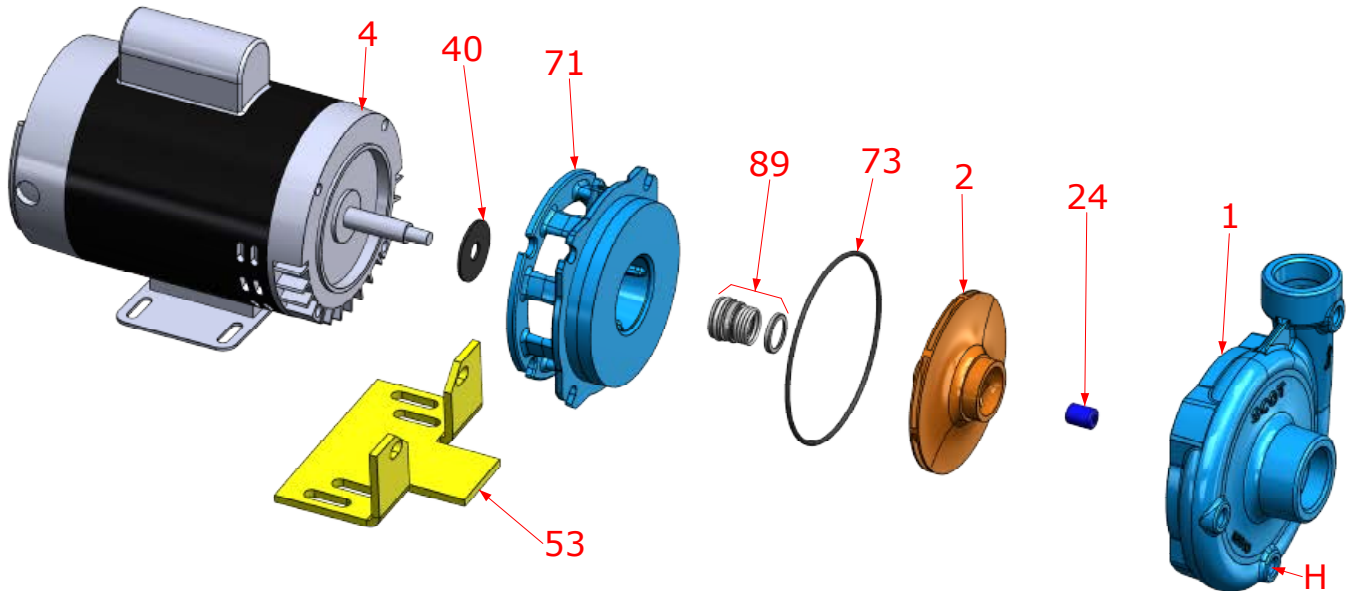


**Performance Curve**

|                                      |                                     |                      |                                   |                   |   |
|--------------------------------------|-------------------------------------|----------------------|-----------------------------------|-------------------|---|
| Performance Curve Number: 40.000.757 | Pump <b>503</b><br>1.5 X 1.25 X 5.5 | 1.00 S.G.<br>70.0 °F | Imp. Type: Enclosed<br>11/12/2019 | 3500 RPM<br>60 Hz | Max Sphere: 3/16"<br>PEI <sub>CL</sub> 0.86 |
|--------------------------------------|-------------------------------------|----------------------|-----------------------------------|-------------------|---|



**Parts**



| Key No. | Part Name  | Part Number     |                 |
|---------|--|-----------------|-----------------|
| 1       | Case 503, Iron, 1.50 X 1.25 NPT Brass plugs              | 3301045X        |                 |
| 2       | Impeller, 503 PPS-GF, Specify Dia., 5.50 Max, 7/16" Thrd | 3301046         |                 |
| 4       | Motor chart, J56 3.5" Rigid Base                         | See Chart       |                 |
|         | Motor chart, J56 Round Body                              | See Chart       |                 |
| 24*+    | Locknut, Stainless, Socket Head                          | 110.000.190     |                 |
| 40*     | Flinger, Neoprene  | 104.000.171     |                 |
| 53      | Base, Steel  | 3301100         |                 |
| 71      | Adapter, Iron, J56, 5/8" Seal, with Brass plug           | 3301186X        |                 |
| 73*     | Gasket, Case, Buna                                       | 137.003.072     |                 |
| 89*     | Seal, 5/8", Type 21, EPDM-CARB/SIL, With retainer        | 101.000.173     |                 |
|         | Seal, 5/8", Type 21, EPDM-SIL/SIL, With retainer         | 101.000.236     |                 |
|         | Seal, 5/8", Type 21, VN-CARB/CM, With retainer           | 101.000.103     |                 |
|         | Seal, 5/8", Type 21, VN-CARB/SIL, With retainer          | 101.000.120     |                 |
|         | Seal, 5/8", Type 21, VN-SIL/SIL, With retainer           | 101.000.239     |                 |
|         | Seal, 5/8", Type 6, BN-CARB/CM, No retainer              | 101.000.110     |                 |
| KIT     |  | <b>3 Phase:</b> | <b>1 Phase:</b> |
|         | Repair Kit, 5/8" BN-CARB/CM Seal                         | 118.000.677     | 118.000.677.1   |
|         | Repair Kit, 5/8" EPDM-CARB/SIL Seal                      | 118.000.677C    | 118.000.677C.1  |
|         | Repair Kit, 5/8" EPDM-SIL/SIL Seal                       | 118.000.677D    | 118.000.677D.1  |
|         | Repair Kit, 5/8" VN-CARB/CM Seal                         | 118.000.677A    | 118.000.677A.1  |
|         | Repair Kit, 5/8" VN-CARB/SIL Seal                        | 118.000.677B    | 118.000.677B.1  |
|         | Repair Kit, 5/8" VN-SIL/SIL Seal                         | 118.000.677E    | 118.000.677E.1  |

\* Denotes components included in repair kit.

+ Not required on 1/3 to 1-1/2 HP 1 phase motors.

Use 3 phase kits on 2-3 HP 1 phase motors.

**Motor Charts**

