

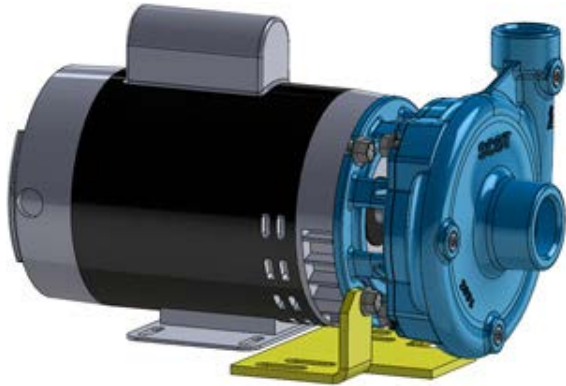


A WILO COMPANY

MOTORPUMP™ — 3500 RPM

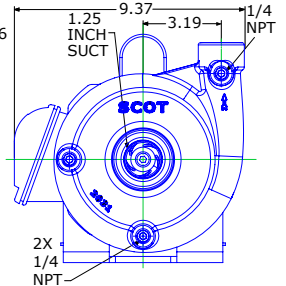
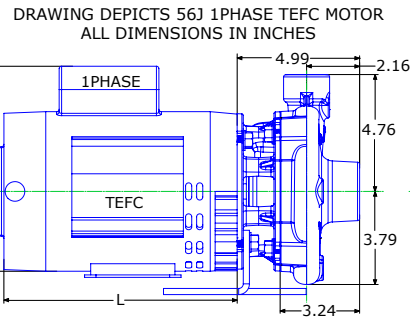
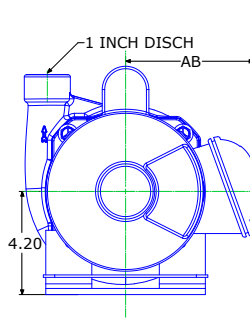
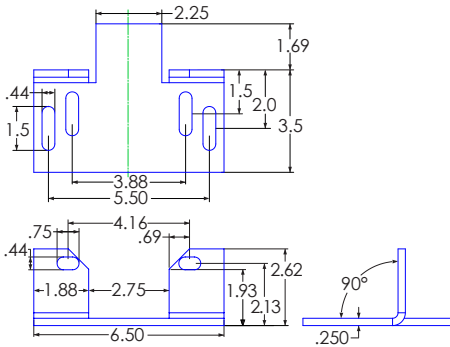
Iron, 60 Hz, 1.25 X 1 X 5.5 NPT

501 J56



Motor Dimensions							
NEMA J56 Frame 3500 RPM							
HP	Type	3 Phase			1 Phase		
		L	O	AB	L	O	AB
0.50	ODP	8.26	6.46	3.32	9.06	8.37	3.25
0.75	ODP	8.65	6.46	3.32	9.56	8.37	3.25
1.0	ODP	8.65	6.46	3.32	9.81	8.37	3.25
1.5	ODP	9.04	6.46	3.32	10.31	8.37	3.25
2.0	ODP	9.44	6.46	3.32	10.31	8.37	3.25
0.5, 0.75	TEFC	9.48	7.33	5.87	9.43	8.10	5.31
1.0	TEFC	10.27	7.33	5.87	10.59	8.10	5.31
1.5	TEFC	11.06	7.33	5.87	10.59	8.10	5.31
2.0	TEFC	11.85	7.33	5.87	11.77	8.10	5.31

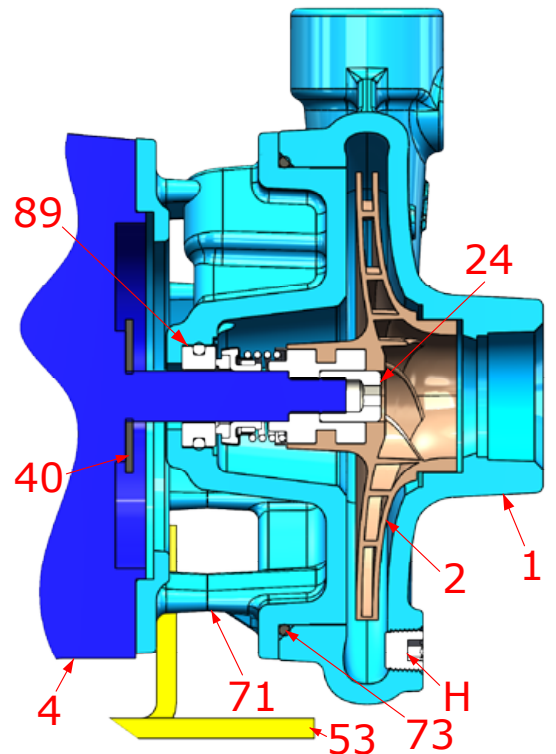
Motors are Standard Efficient with the exception of the 1-2 HP 3 phase TEFC, which are Premium Efficient.



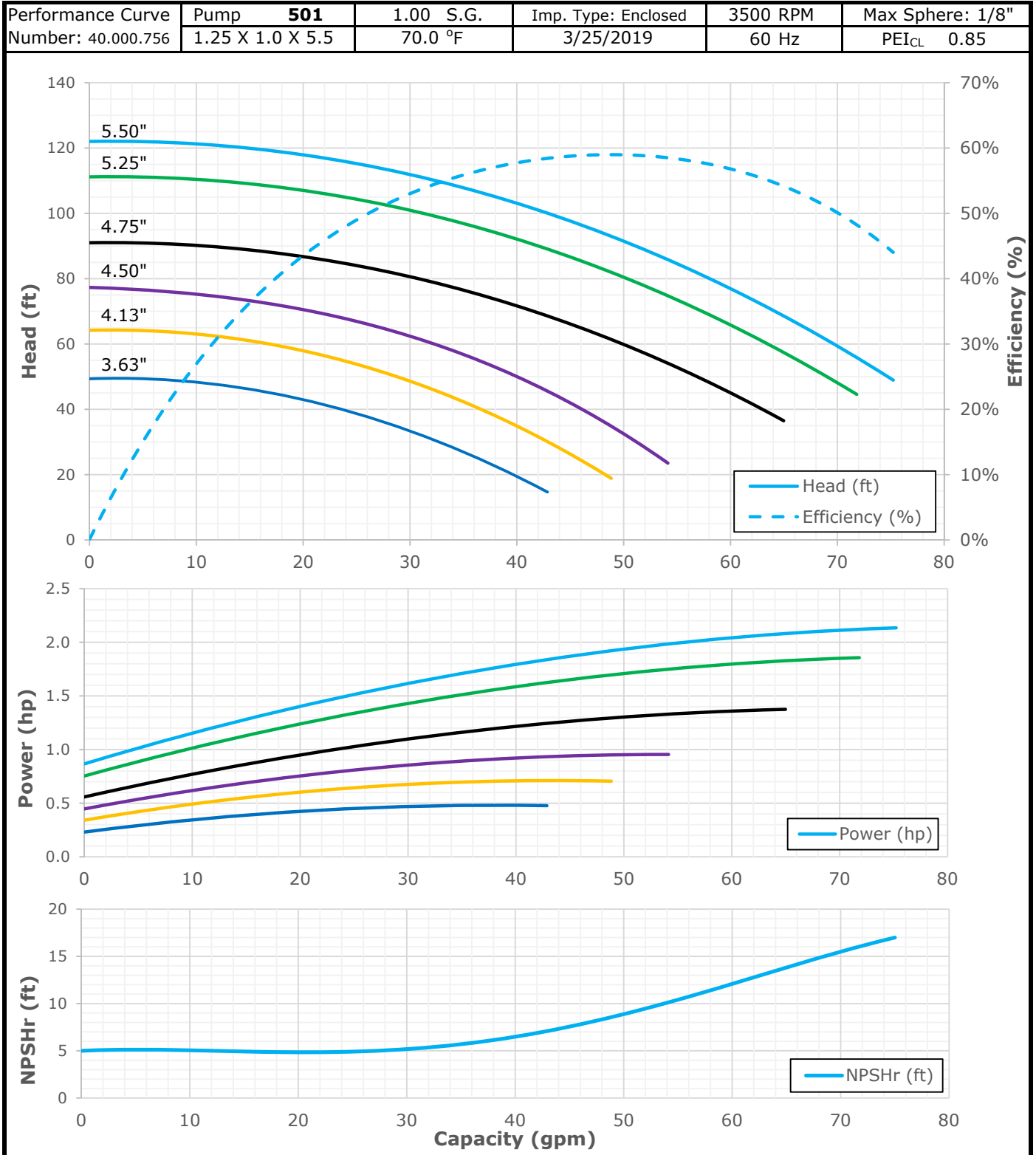
DRAWING DEPICTS 56J 1PHASE TEFC MOTOR
ALL DIMENSIONS IN INCHES

Construction Options

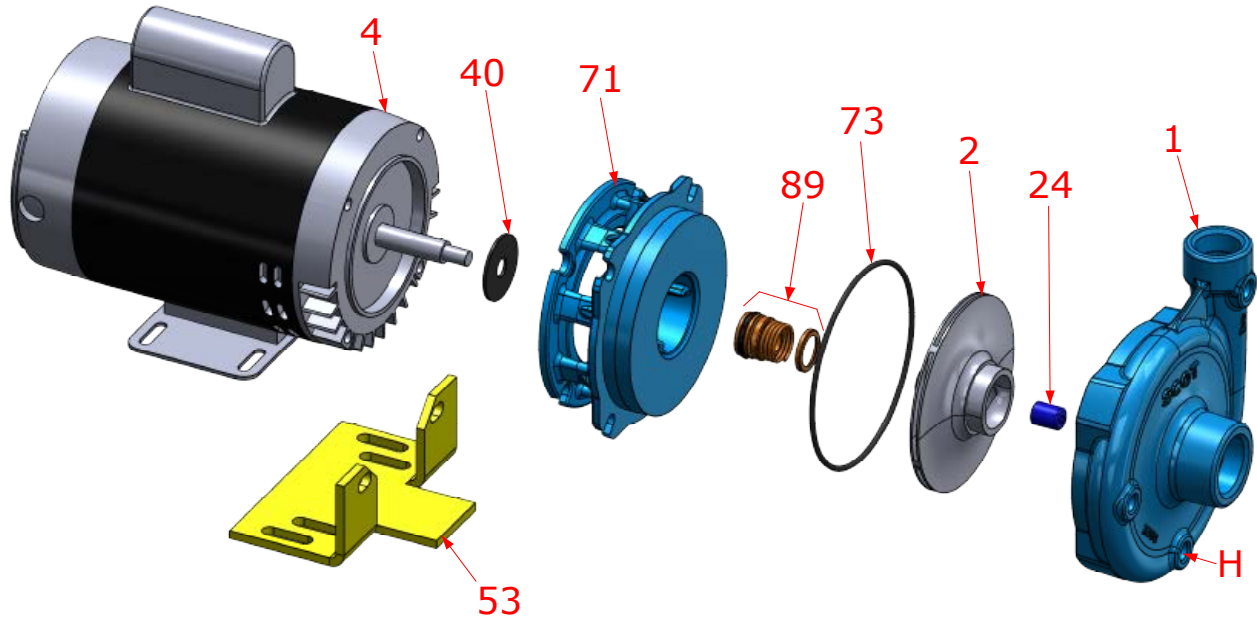
Key	Part Name	Standard Fitted	All Iron
1	Case	Iron	Iron
2	Impeller	PPS GF	PPS GF
24	Impeller Locknut	Stainless	Stainless
40	Flinger	Neoprene	Neoprene
53	Base	Steel	Steel
71	Adapter	Iron	Iron
73	Gasket, Case	Buna	Buna
89	Mechanical Seal, Type 6 BN-CM	Standard	Standard
H	Plug, Drain	Brass	Plated Steel



Performance Curve



Parts



Key No.	Part Name	Part Number	
1	Case 501, Iron, 1.25 X 1.00 NPT Brass plugs	3301003X	
2	Impeller, 501 PPS-GF, Specify Dia., 5.50 Max, 7/16" Thrd	3301048	
4	Motor chart, J56 3.5" Rigid Base	See Chart	
	Motor chart, J56 Round Body	See Chart	
24*+	Locknut, Stainless, Socket Head	110.000.190	
40*	Flinger, Neoprene	104.000.171	
53	Base, Steel	3301100	
71	Adapter, Iron, J56, 5/8" Seal, with Brass plug	3301186X	
73*	Gasket, Case, Buna	137.003.072	
89*	Seal, 5/8", Type 21, EPDM-CARB/SIL, With retainer	101.000.173	
	Seal, 5/8", Type 21, EPDM-SIL/SIL, With retainer	101.000.236	
	Seal, 5/8", Type 21, VN-CARB/CM, With retainer	101.000.103	
	Seal, 5/8", Type 21, VN-CARB/SIL, With retainer	101.000.120	
	Seal, 5/8", Type 21, VN-SIL/SIL, With retainer	101.000.239	
	Seal, 5/8", Type 6, BN-CARB/CM, No retainer	101.000.110	
KIT		3 Phase:	1 Phase:
	Repair Kit, 5/8" BN-CARB/CM Seal	118.000.677	118.000.677.1
	Repair Kit, 5/8" EPDM-CARB/SIL Seal	118.000.677C	118.000.677C.1
	Repair Kit, 5/8" EPDM-SIL/SIL Seal	118.000.677D	118.000.677D.1
	Repair Kit, 5/8" VN-CARB/CM Seal	118.000.677A	118.000.677A.1
	Repair Kit, 5/8" VN-CARB/SIL Seal	118.000.677B	118.000.677B.1
	Repair Kit, 5/8" VN-SIL/SIL Seal	118.000.677E	118.000.677E.1

* Denotes components included in repair kit.

+ Not required on 1/3 to 1-1/2 HP 1 phase motors.

Use 3 phase kits on 2-3 HP 1 phase motors.

Motor Charts

