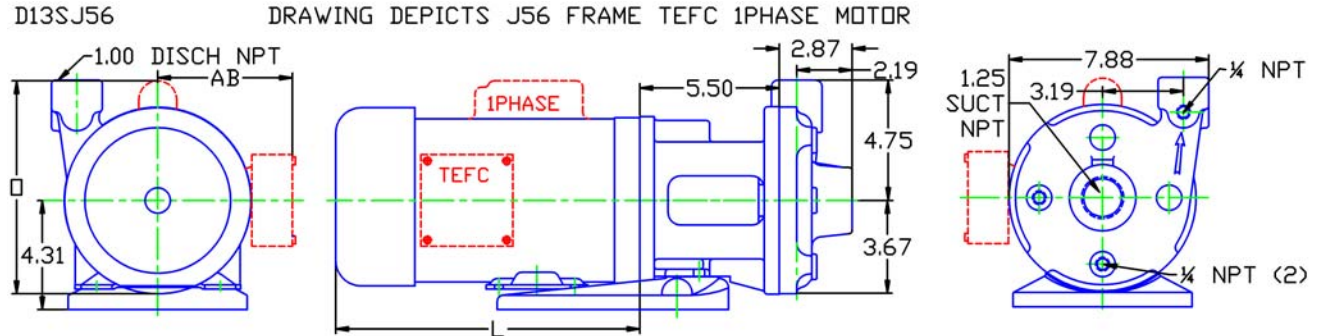


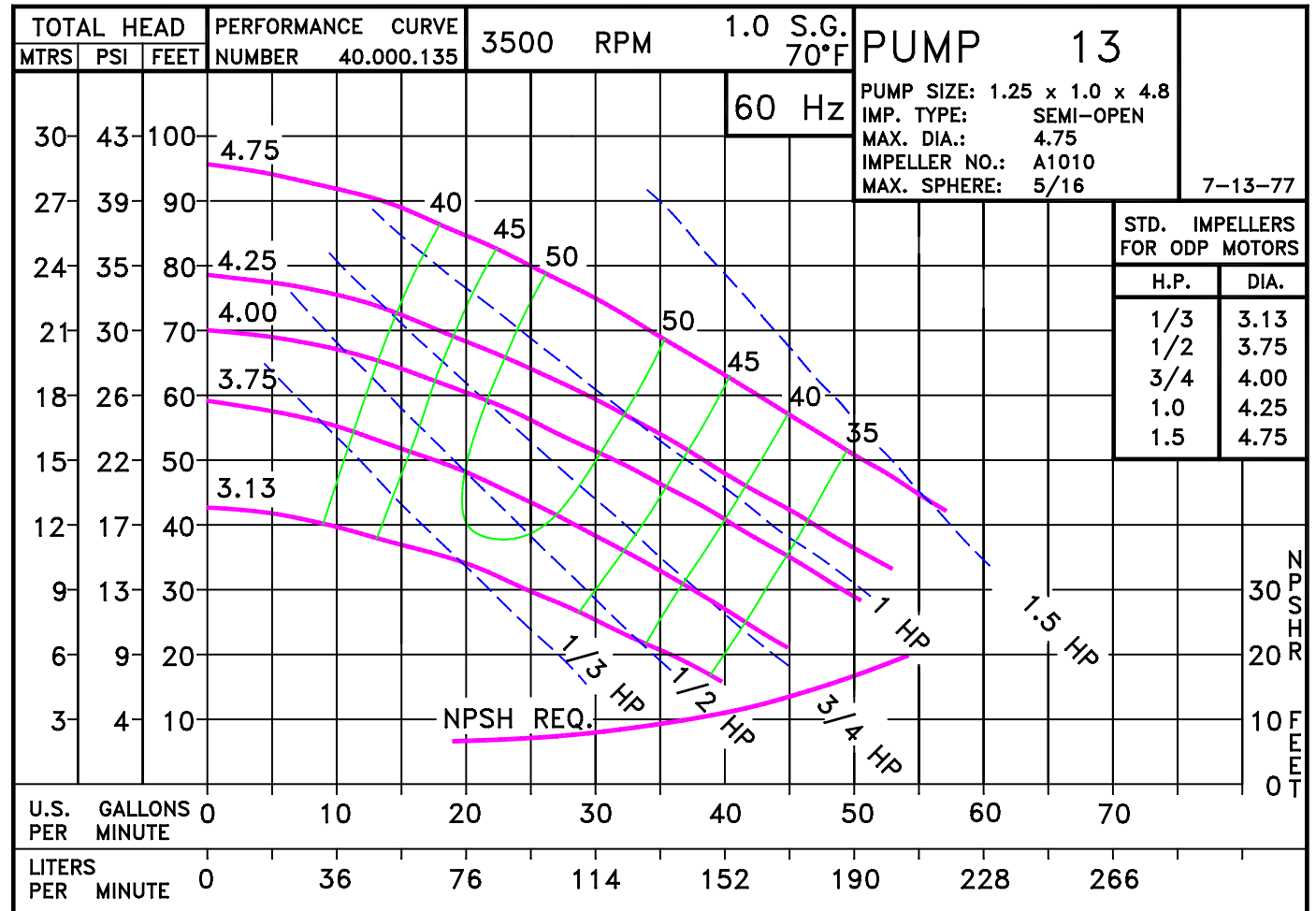
MOTOR DIMENSIONS NEMA J56 FRAME 3500 RPM

| HP | TEFC | | | | | |
|-----|---------|------|------|---------|------|------|
| | 3 PHASE | | | 1 PHASE | | |
| | L | O | AB | L | O | AB |
| .50 | 9.48 | 7.33 | 5.87 | 9.43 | 8.10 | 5.31 |
| .75 | 9.48 | 7.33 | 5.87 | 9.43 | 8.10 | 5.31 |
| 1.0 | 9.43 | 7.33 | 5.87 | 10.59 | 8.10 | 5.31 |
| 1.5 | 9.43 | 7.33 | 5.87 | 10.59 | 8.10 | 5.31 |



ALL DIMENSIONS IN INCHES.

DRAWING REPRESENTS APPROXIMATE PUMP DIMENSIONS. AUTOCAD DRAWINGS TO SCALE AVAILABLE FROM FACTORY



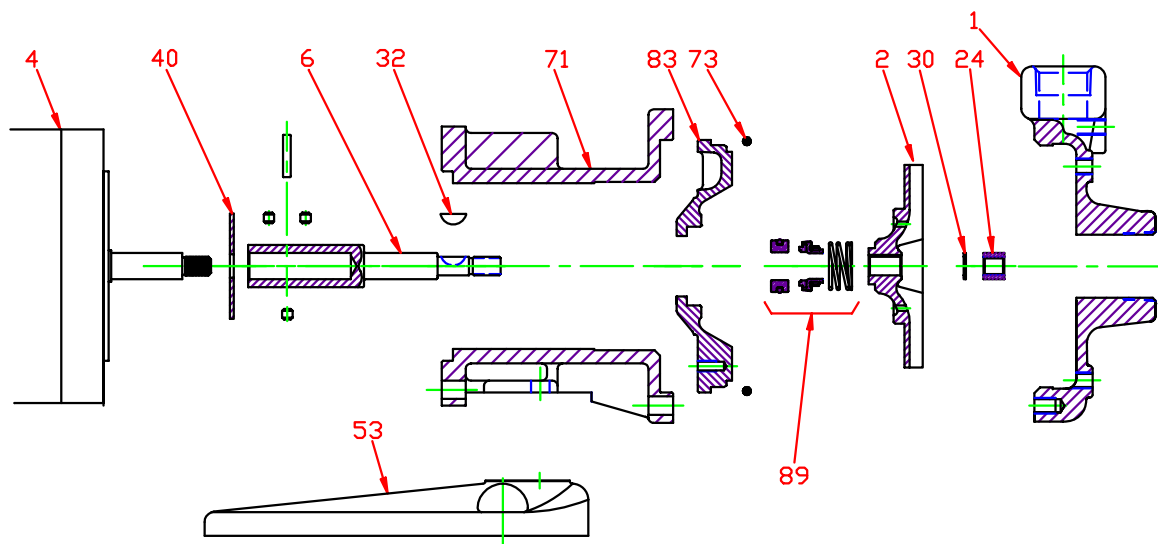
013S15TE

D013SJ56
0133500

13S J56

013S3500J56
81.001.320 B15

Pump 13S • Stainless Steel • J56 Frame • 3500 RPM



| KEY NO. | PART NAME | PUMP 13S | |
|---------|--|------------------------|----------------|
| 1 | CASE, 316SS, 1 x .75 NPT | 130.000.212X | |
| 2 | IMPELLER, 7/16" KEYED, SEMI-OPEN, SPECIFY DIAMETER: STAINLESS | 137.000.105 | |
| 4 | MOTOR: J56, ROUND BODY J56, 3.5" RIGID BASE | See Chart See Chart | |
| 6† | STUB SHAFT, 303SS | 135.000.197X | |
| 24*+ | NUT, 303SS | 137.001.349 | |
| 30*+ | LOCKWASHER, 303SS | 104.000.129 | |
| 32* | KEY, 316SS | 102.000.101A | |
| 40* | FLINGER, NEOPRENE | 104.000.171 | |
| 53 | BASE, IRON | 110.000.121 | |
| 71 | ADAPTER, IRON | 132.000.120 | |
| 73* | GASKET, CASE, VITON | 116.000.150 | |
| 83 | BACKPLATE, 316SS | 132.000.231 | |
| 89* | 5/8" SEAL, VN-SIL/SIL | 101.000.239A | |
| -- | REPAIR KITS: | 3 PHASE: | 1 PHASE: |
| | VN-SIL/SIL SEAL | 118.000.538C.2 | 118.000.538C.1 |

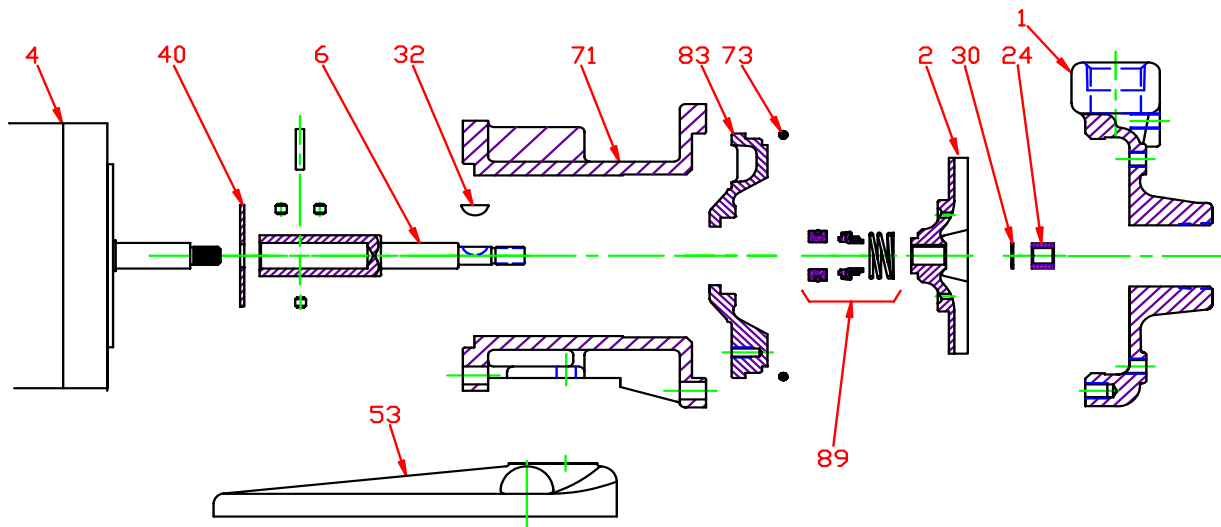
* DENOTES COMPONENTS INCLUDED IN REPAIR KIT.
 + NOT REQUIRED ON 1/3 TO 1-1/2 HP 1 PHASE MOTORS.
 † INCLUDES PIN & SET SCREWS

E013SJ56

C15

P013S3500J56

Pump 13S • Stainless Steel • J56 Frame • 3500 RPM



| CONSTRUCTION OPTIONS | | |
|----------------------|---------------|-----------------|
| KEY NO. | PART NAME | STANDARD FITTED |
| 1 | CASE | 316SS |
| 2 | IMPELLER | 316SS |
| 6 | STUB SHAFT | 303SS |
| 24 | NUT | 303SS |
| 30 | LOCKWASHER | 303SS |
| 32 | KEY | 316SS |
| 40 | FLINGER | NEOPRENE |
| 53 | BASE | IRON |
| 71 | ADAPTER | IRON |
| 73 | GASKET, CASE | VITON |
| 83 | BACKPLATE | 316SS |
| 89 | SEAL ASSEMBLY | VN-SIL/SIL |
| H | PLUG, DRAIN | 316SS |

E013SJ56

C15

C013S3500J56