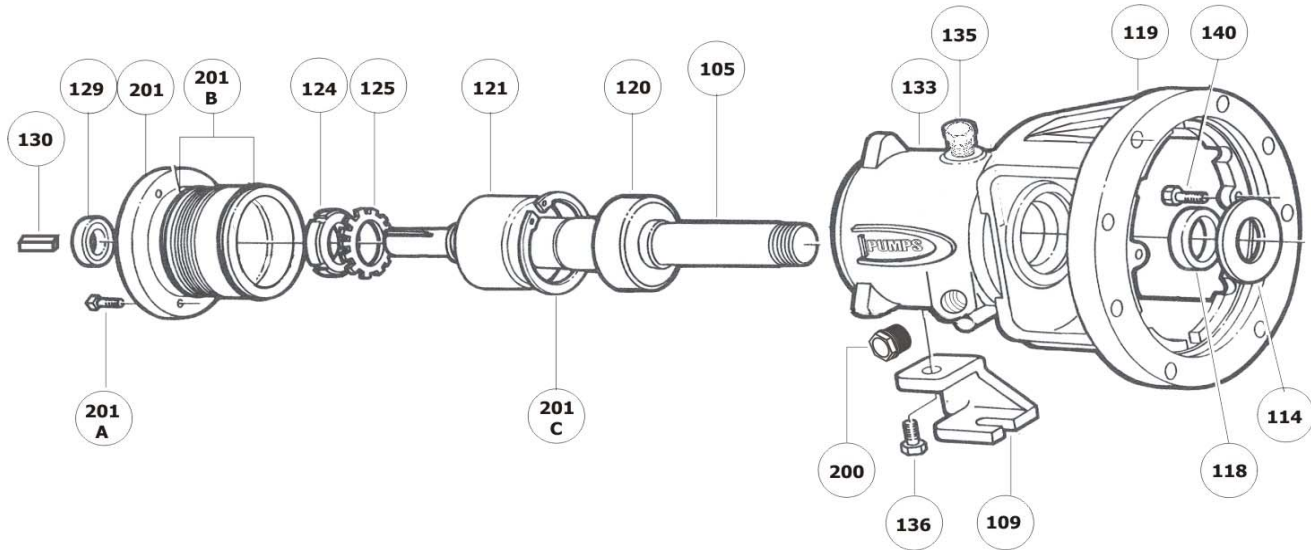


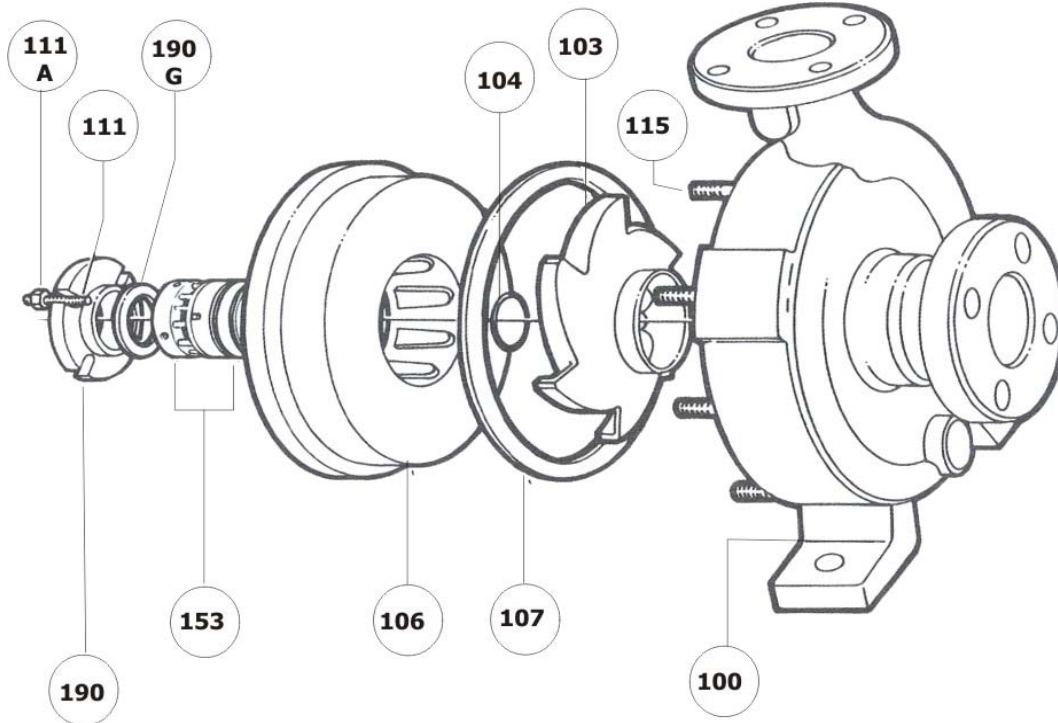
Qty	Item	Description	Notes
1	100	Casing	
1	103	Impeller	
1	104	Impeller Gasket	
1	106	Cover	
1	107	Casing Gasket	
4	111	Stud Gland	
4	111A	Hexnut Gland	
8	115	Stud Casing	1
8	115A	Hexnut Casing	1
2	140	Screw Cover/Adapter	2

1. The quantity of items 115 and 115A depends on pump model.
2. Shown in Power end parts lists.



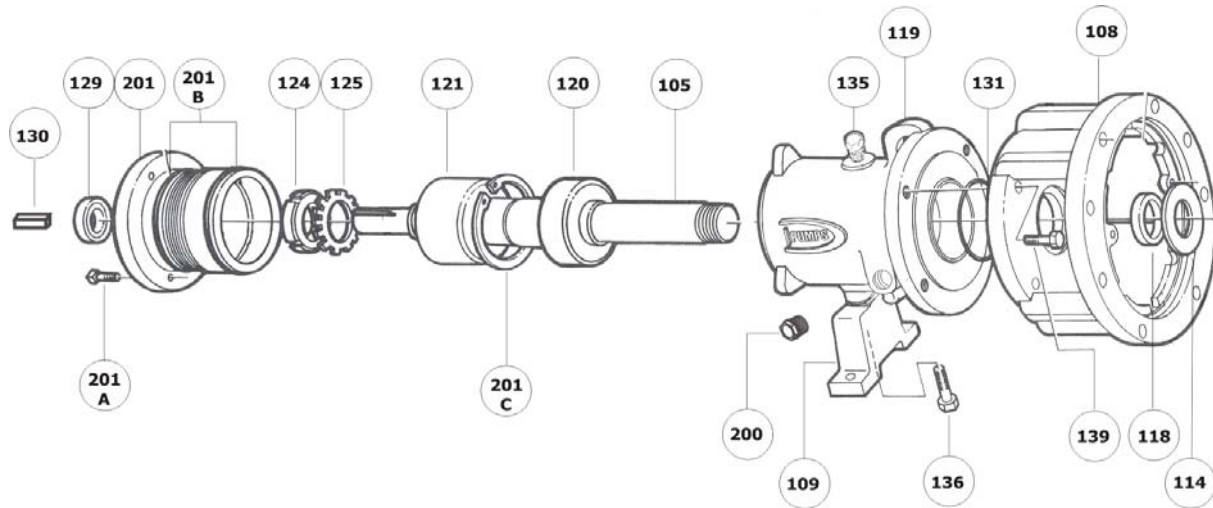
Qty	Item	Description	Notes
1	105	Standard Shaft or Shaft for Hook Sleeve	
1	109	Bearing Housing Foot	
1	114	Deflector Inboard	
1	118	Oil Seal Inboard	1
1	119	Bearing Housing	
1	120	Bearing Inboard	
1	121	Bearing Outboard	
1	124	Locknut-Bearing	
1	125	Lockwasher-Bearing	
1	129	Oil Seal Outboard	1
1	130	Key-Shaft	
1	134	Bearing Housing Drain Plug	
1	135	Bearing Housing Vent Plug	
1	136	Capscrew-Foot	
1	177	Hook Sleeve	
1	200	Sight Cage	
1	201	Carrier	
3	201A	Capscrew-Carrier	
2	201B	O'Ring Carrier	
1	201C	Carrier Retainer	

1.This is an ilustrative drawing. Power end can be assambled with labrynt seals



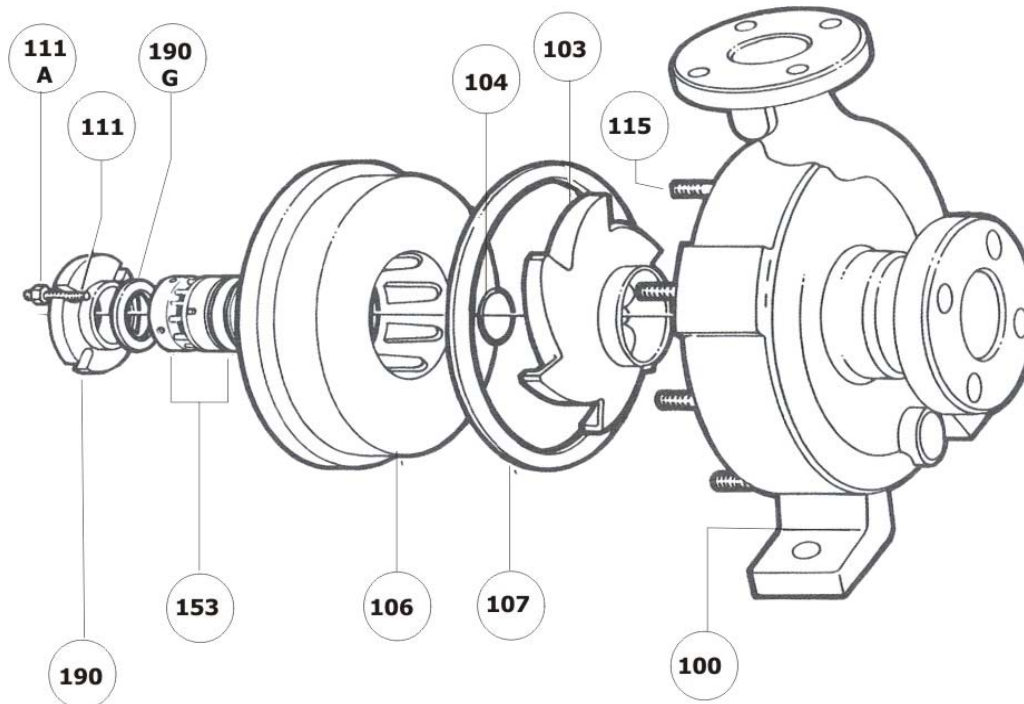
Qty	Item	Description	Notes
1	100	Casing	
1	103	Impeller	
1	104	Impeller Gasket	
1	106	Cover	
1	107	Casing Gasket	
4	111	Stud Gland	
4	111A	Hexnut Gland	
8	115	Stud Casing	1
8	115A	Hexnut Casing	1
2	140	Screw Cover/Adapter	2

1. The quantity of items 115 and 115A depends on pump model.
2. Shown in Power end parts lists.



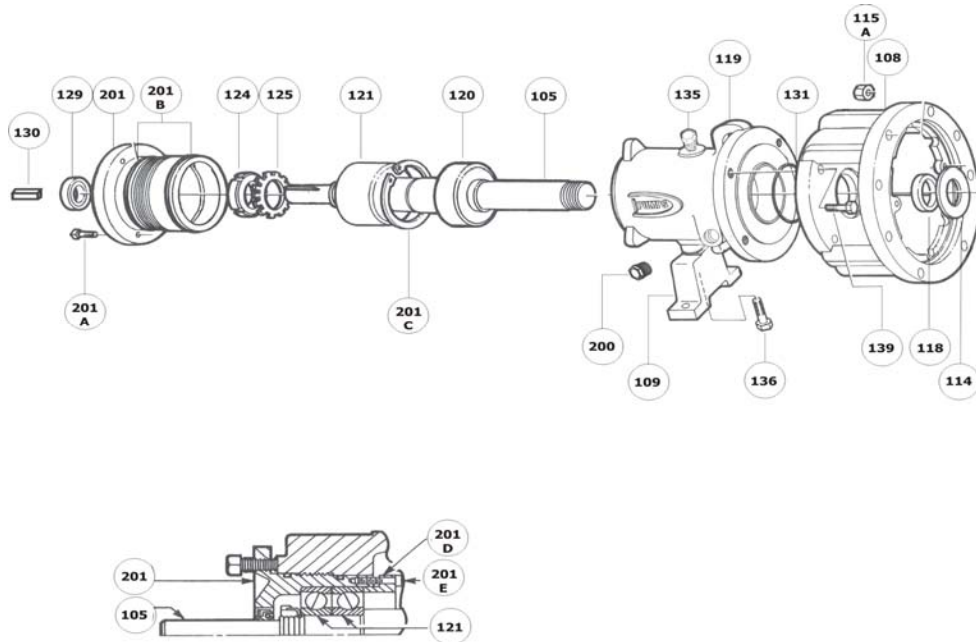
Qty	Item	Description	Notes
1	105	Standard Shaft or Shaft for Hook Sleeve	
1	108	Adapter	
1	109	Bearing Housing Foot	
1	114	Deflector Inboard	
1	118	Oil Seal Inboard	1
1	119	Bearing Housing	
1	120	Bearing Inboard	
1	121	Bearing Outboard	
1	124	Locknut-Bearing	
1	125	Lockwasher-Bearing	
1	129	Oil Seal Outboard	1
1	130	Key-Shaft	
1	131	O'Ring Adapter	
1	134	Bearing Housing Drain Plug	
1	135	Bearing Housing Vent Plug	
1	136	Capscrew-Foot	
4	139	Capscrew-Bearing Housing	
1	177	Hook Sleeve	
1	200	Sight Cage	
1	201	Carrier	
3	201A	Capscrew-Carrier	
2	201B	O'Ring Carrier	
1	201C	Carrier Retainer	

1.This is an illustrative drawing. Power end can be assambled with labrynt seals



Qty	Item	Description	Notes
1	100	Casing	
1	103	Impeller	
1	104	Impeller Gasket	
1	106	Cover	
1	107	Casing Gasket	
1	109	Bearing Housing Foot	
4	111	Stud Gland	
4	111A	Hexnut Gland	
8	115	Stud Casing	1
8	115A	Hexnut Casing	1
2	140	Screw Cover/Adapter	2

1. The quantity of items 115 and 115A depends on pump model.
2. Shown in Power end parts lists.



Qty	Item	Description	Notes
1	105	Standard Shaft or Shaft for Hook Sleeve	
1	108	Adapter	
1	109	Bearing Housing Foot	
1	114	Deflector Inboard	
1	118	Oil Seal Inboard	1
1	119	Bearing Housing	
1	120	Bearing Inboard	
1	121	Bearing Outboard	
1	124	Locknut-Bearing	
1	125	Lockwasher-Bearing	
1	129	Oil Seal Outboard	1
1	130	Key-Shaft	
1	131	O'Ring Adapter	
1	134	Bearing Housing Drain Plug	
1	135	Bearing Housing Vent Plug	
1	136	Capscrew-Foot	
4	139	Capscrew-Bearing Housing	
1	177	Hook Sleeve	
1	200	Sight Cage	
1	201	Carrier	
3	201A	Capscrew-Carrier	
2	201B	O'Ring Carrier	
8	201C	Carrier Screw Retainer	
1	201D	Clamp Ring Bearing Housing	

1. This is an illustrative drawing. Power end can be assembled with labrynt seals