

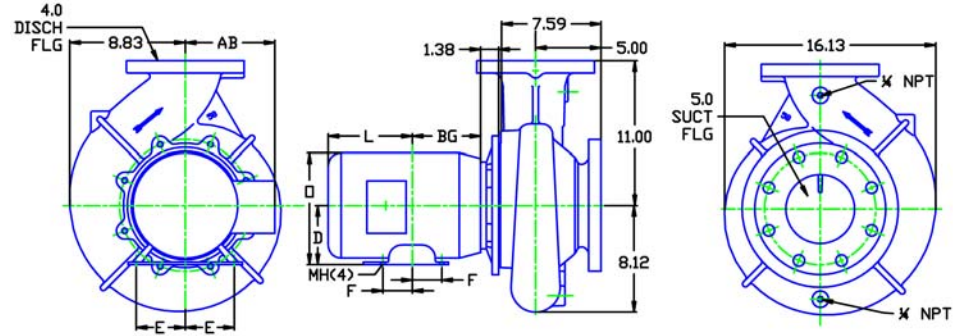
D058JM184

DRAWING DEPICTS JM184 5HP ODP MOTOR

MOTOR DIMENSIONS

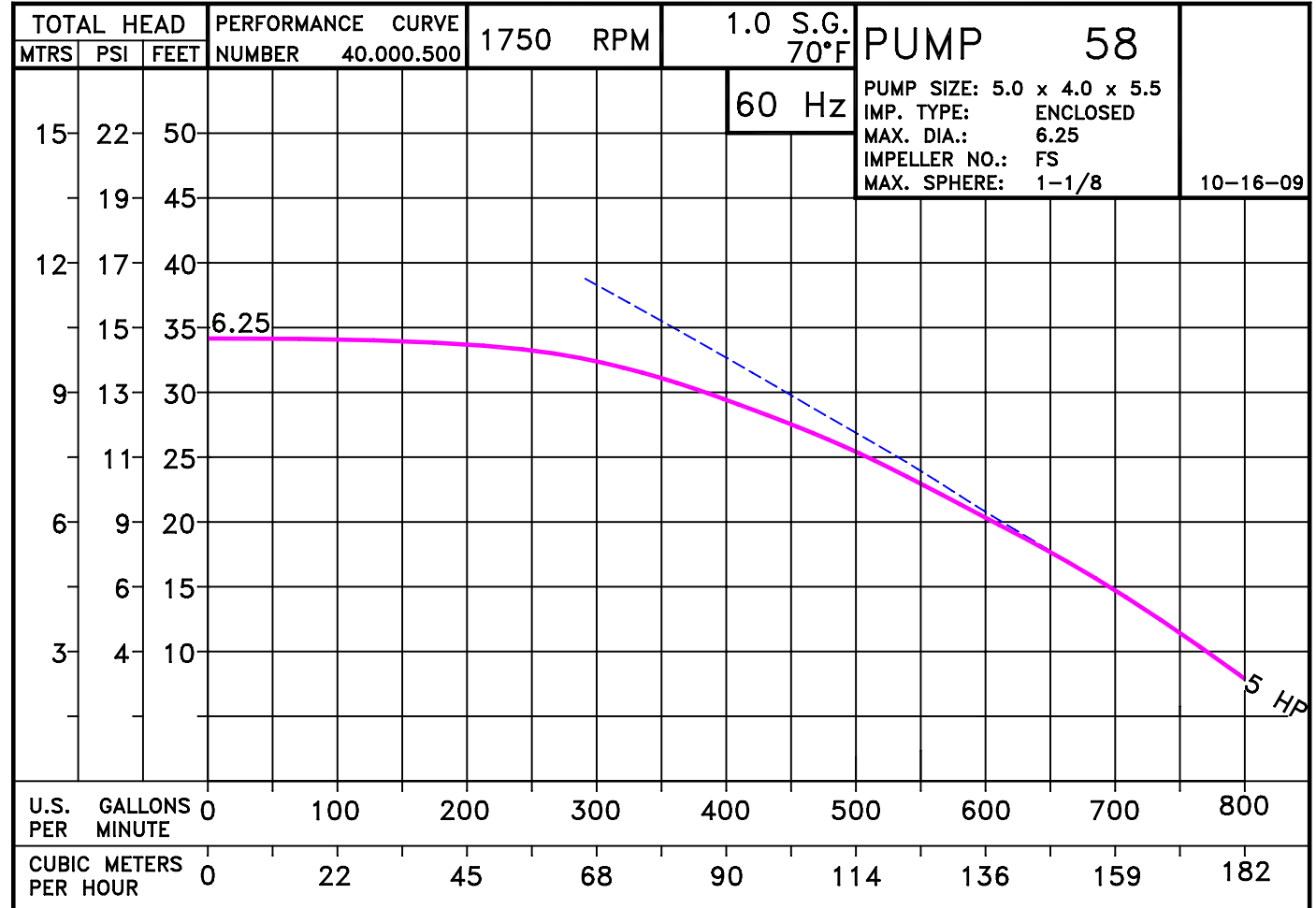
NEMA PREMIUM EFFICIENT JM FRAME 3 PHASE 1750 RPM

HP	Type	Frame	D	E	F	O	AB	BG	L	MH
5	ODP	JM184	4.50	3.75	2.75	8.44	6.74	6.25	7.50	0.41
5	TEFC	JM184	4.50	3.75	2.75	8.85	7.57	5.51	7.64	.41



ALL DIMENSIONS IN INCHES

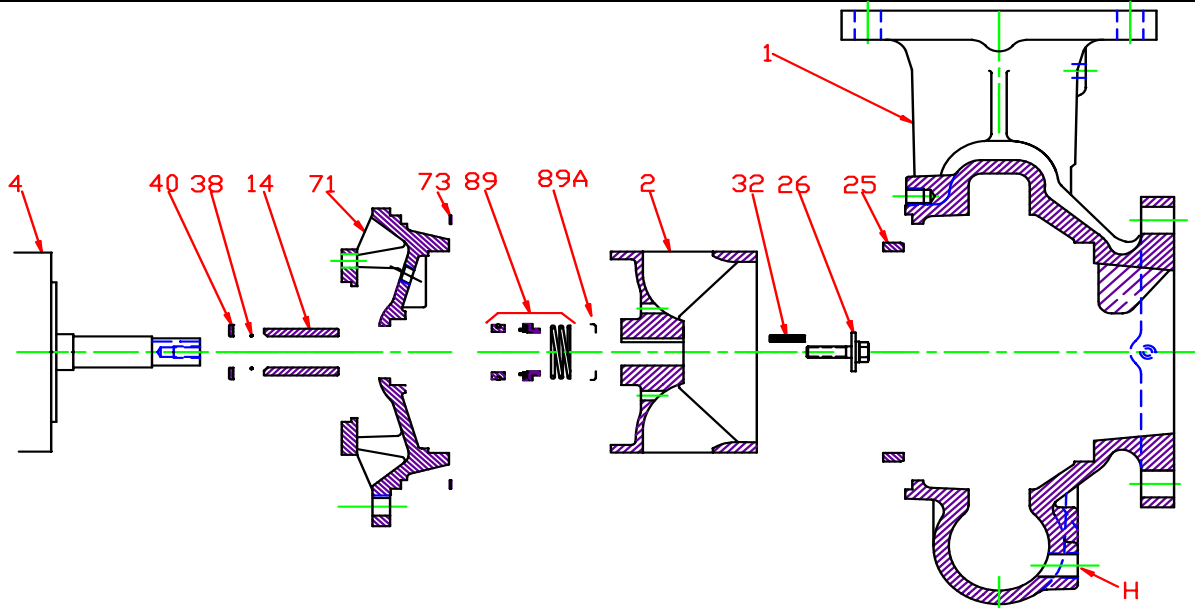
DRAWING REPRESENTS APPROXIMATE PUMP DIMENSIONS. AUTOCAD DRAWING TO SCALE AVAILABLE FROM FACTORY



0585TE

D058JM184
0571750

Pump 58 • Iron • JM Frame • 1750 RPM



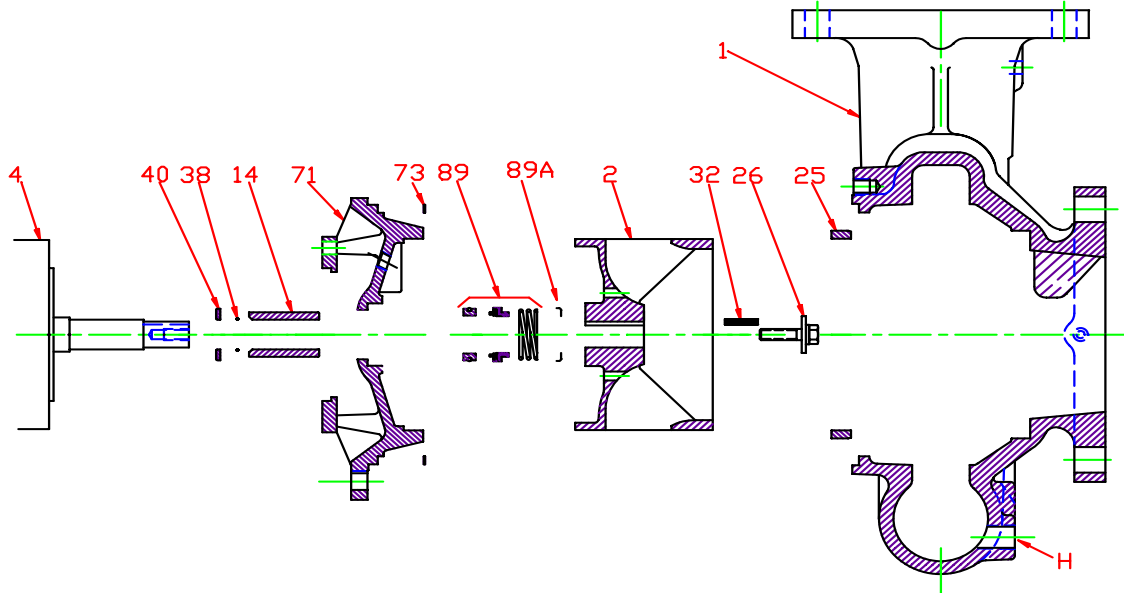
KEY NO.	PART NAME	PUMP NO. 58
1+	CASE, IRON, 5 x 4 FLG	137.000.507X
2	IMPELLER, 7/8" KEYED, ENCLOSED, 6.25" DIAMETER: IRON	137.002.379
4	MOTOR, JM140/180	See Chart
14*	SHAFT SLEEVE, BRONZE SHAFT SLEEVE, STAINLESS	110.000.215 110.000.373
25	WEAR RING, BRONZE	103.000.204
26*	IMPELLER RETAINER, STAINLESS	118.000.163A
32*	KEY, STAINLESS	102.000.256
38*	O-RING, SHAFT, BUNA O-RING, SHAFT, VITON	116.000.117 116.000.105
40*	FLINGER, STAINLESS	104.000.256
71	ADAPTER, IRON - JM140/180	132.000.308X
73*	GASKET, CASE, FIBER	116.000.261
89*	1½" SEALS:	
	BN-CARB/CM	101.000.168
	VN-CARB/CM	101.000.191
	VN-CARB/SIL	101.000.175
	VN-SIL/SIL	101.000.204
	EPDM-CARB/SIL	101.000.175B
89A*	EPDM-SIL/SIL	101.000.204A
89A*	SEAL RETAINER, STAINLESS	104.000.174
--	° REPAIR KITS:	
	BN-CARB/CM SEAL	118.000.466
	VN-CARB/CM SEAL (S)	118.000.466A
	VN-CARB/SIL SEAL	118.000.466B
	VN-SIL/SIL SEAL (S)	118.000.466C
	EPDM-CARB/SIL SEAL	118.000.466D
	EPDM-SIL/SIL SEAL	118.000.466E

* DENOTES COMPONENTS INCLUDED IN REPAIR KIT.

+ INCLUDES BRONZE WEAR RING.

° ALL REPAIR KITS INCLUDE THE BRONZE SHAFT SLEEVE EXCEPT THE (S) INDICATED, WHICH IS STAINLESS WITH VITON SHAFT O-RING.

Pump 58 • Iron • JM Frame • 1750 RPM



CONSTRUCTION OPTIONS

KEY	PART NAME	STANDARD FITTED	ALL IRON
1	Case	Iron	Iron
2	Impeller	Iron	Iron
14	Shaft Sleeve	Bronze	Stainless
25	Wear Ring	Bronze	Steel
26	Impeller Retaining Assy	Stainless	Stainless
32	Key	Stainless	Stainless
38	Shaft O-Ring	BUNA	BUNA
40	Flinger	Stainless	Stainless
71	Adapter	Iron	Iron
73	Gasket, Case	Fiber	Fiber
89	Mechanical Seal, Type 21 BN-CM	Standard	Standard
89A	Seal Retainer	Stainless	Stainless
H	Plug, Drain	Brass	Plated Steel

E058JM

H15

C0581750JM