

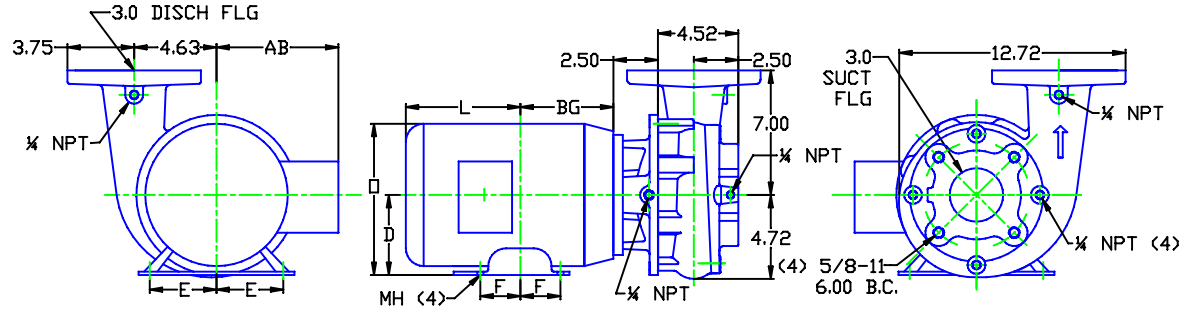
### MOTOR DIMENSIONS

#### NEMA PREMIUM EFFICIENT JM FRAME 3 PHASE 1750 RPM

HP	Type	Frame	D	E	F	O	AB	BG	L	MH
2	ODP	JM145	3.50	2.75	2.50	6.77	5.61	5.38	4.63	0.34
3	ODP	JM182	4.50	3.75	2.25	8.44	6.74	5.75	6.50	0.41
5	ODP	JM184	4.50	3.75	2.75	8.44	6.74	6.25	7.50	0.41
2	TEFC	JM145	3.50	2.75	2.50	7.00	6.25	5.06	6.34	.34
3	TEFC	JM182	4.50	3.75	2.25	8.85	7.57	5.01	7.14	.41
5	TEFC	JM184	4.50	3.75	2.75	8.85	7.57	5.51	7.64	.41

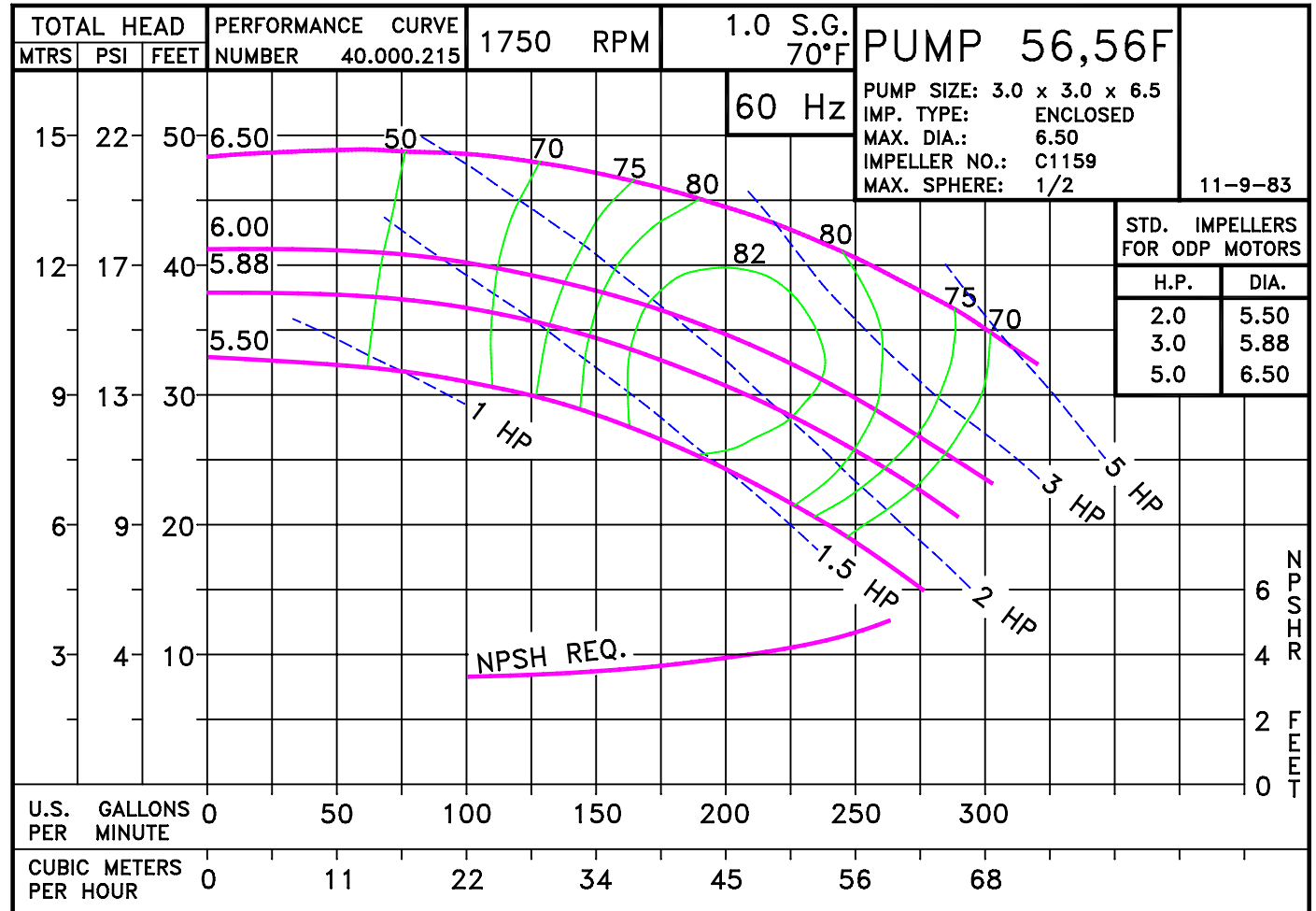
D056FJM182

DRAWING DEPICTS JM182 3HP ODP MOTOR



### ALL DIMENSIONS IN INCHES

DRAWING REPRESENTS APPROXIMATE PUMP DIMENSIONS.



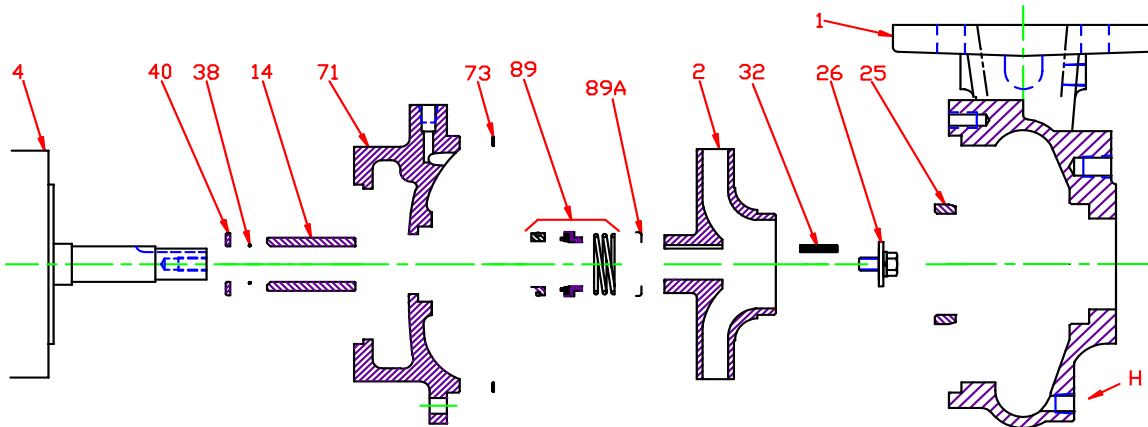
056F10TE

D056FJM182  
0561750

# 56F JM

056F1750JM  
81.001.085 M16

**Pump 56F • Iron • JM Frame • 1750 RPM**



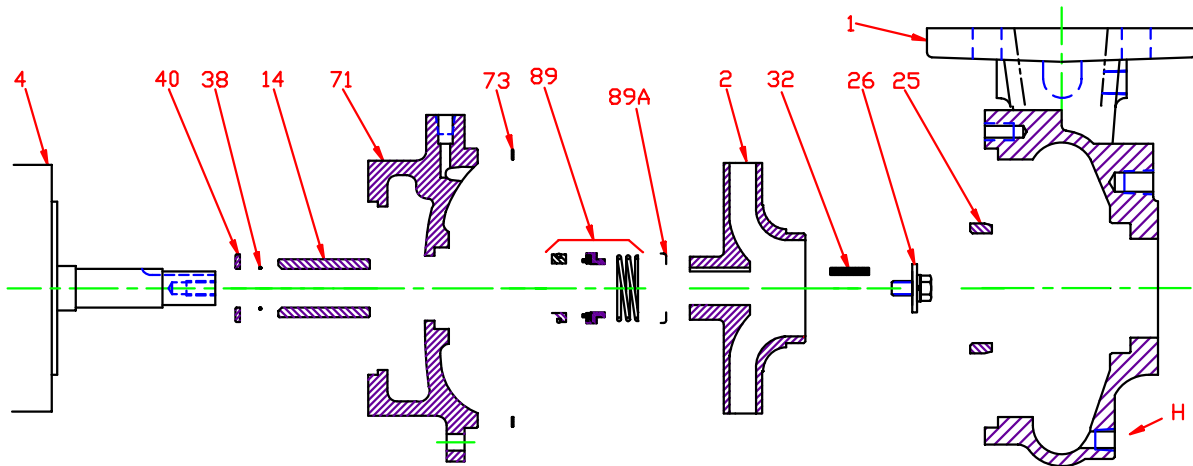
KEY NO.	PART NAME	PUMP NO. 56F
1+	CASE, IRON, 3 x 3 FLG	130.000.185X
2	IMPELLER, 7/8" KEYED, ENCLOSED, SPECIFY DIAMETER:	
	IRON	131.000.809
	BRONZE	137.000.108
4	MOTOR, JM140/180	See Chart
	MOTOR, JM210	See Chart
14*	SHAFT SLEEVE, BRONZE	110.000.178
	SHAFT SLEEVE, STAINLESS	110.000.192
25	WEAR RING, BRONZE	103.000.138
	WEAR RING, STEEL	103.000.152
26*	IMPELLER RETAINER, STAINLESS	118.000.163A
32*	KEY, STAINLESS	102.000.102
38*	O-RING, SHAFT, BUNA	116.000.117
	O-RING, SHAFT, VITON	116.000.105
40*	FLINGER, STAINLESS	104.000.165
71	ADAPTER, IRON - JM140/180	132.000.202X
	ADAPTER, IRON - JM210	132.000.213X
73*	GASKET, CASE, FIBER	116.000.157
89*	1½" SEALS:	
	BN-CARB/CM	101.000.168
	VN-CARB/CM	101.000.191
	VN-CARB/SIL	101.000.175
	VN-SIL/SIL	101.000.204
	EPDM-CARB/SIL	101.000.175B
	EPDM-SIL/SIL	101.000.204A
89A*	SEAL RETAINER, STAINLESS	104.000.174
--	° REPAIR KITS:	
	BN-CARB/CM SEAL	118.000.344
	VN-CARB/CM SEAL (S)	118.000.344A
	VN-CARB/CM SEAL	118.000.344K
	VN-CARB/SIL SEAL	118.000.344B
	VN-SIL/SIL SEAL (S)	118.000.344F
	EPDM-CARB/SIL SEAL	118.000.344C
EPDM-SIL/SIL SEAL	118.000.344D	

\* DENOTES COMPONENTS INCLUDED IN REPAIR KIT.

+ INCLUDES BRONZE WEAR RING. FOR STEEL WEAR RING, REPLACE SUFFIX "X" WITH "X1".

° ALL REPAIR KITS INCLUDE THE BRONZE SHAFT SLEEVE EXCEPT THE (S) INDICATED, WHICH IS STAINLESS WITH VITON SHAFT O-RING.

**Pump 56F • Iron • JM Frame • 1750 RPM**



**CONSTRUCTION OPTIONS**

KEY	PART NAME	STANDARD FITTED	BRONZE FITTED	ALL IRON
1	Case	Iron	Iron	Iron
2	Impeller	Iron	Bronze	Iron
14	Shaft Sleeve	Bronze	Bronze	Stainless
25	Wear Ring	Bronze	Bronze	Steel
26	Impeller Retaining Assy	Stainless	Stainless	Stainless
32	Key	Stainless	Stainless	Stainless
38	Shaft O-Ring	BUNA	BUNA	BUNA
40	Flinger	Stainless	Stainless	Stainless
71	Adapter	Iron	Iron	Iron
73	Gasket, Case	Fiber	Fiber	Fiber
89	Mechanical Seal, Type 21 BN-CM	Standard	Standard	Standard
89A	Seal Spring Retainer	Stainless	Stainless	Stainless
H	Plug, Drain	Brass	Brass	Plated Steel

E054FJM

J12

C056F1750JM