

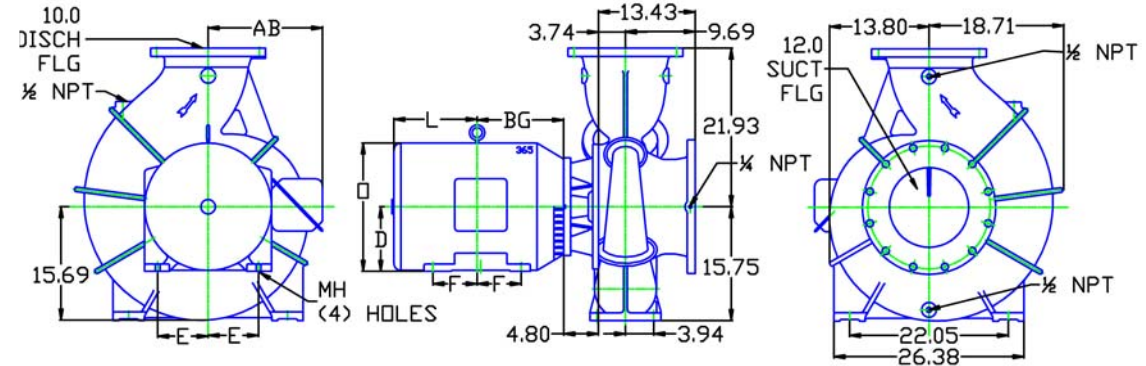
D268JPZ365

DRAWING DEPICTS 365JPZ 50HP ODP MOTOR

MOTOR DIMENSIONS

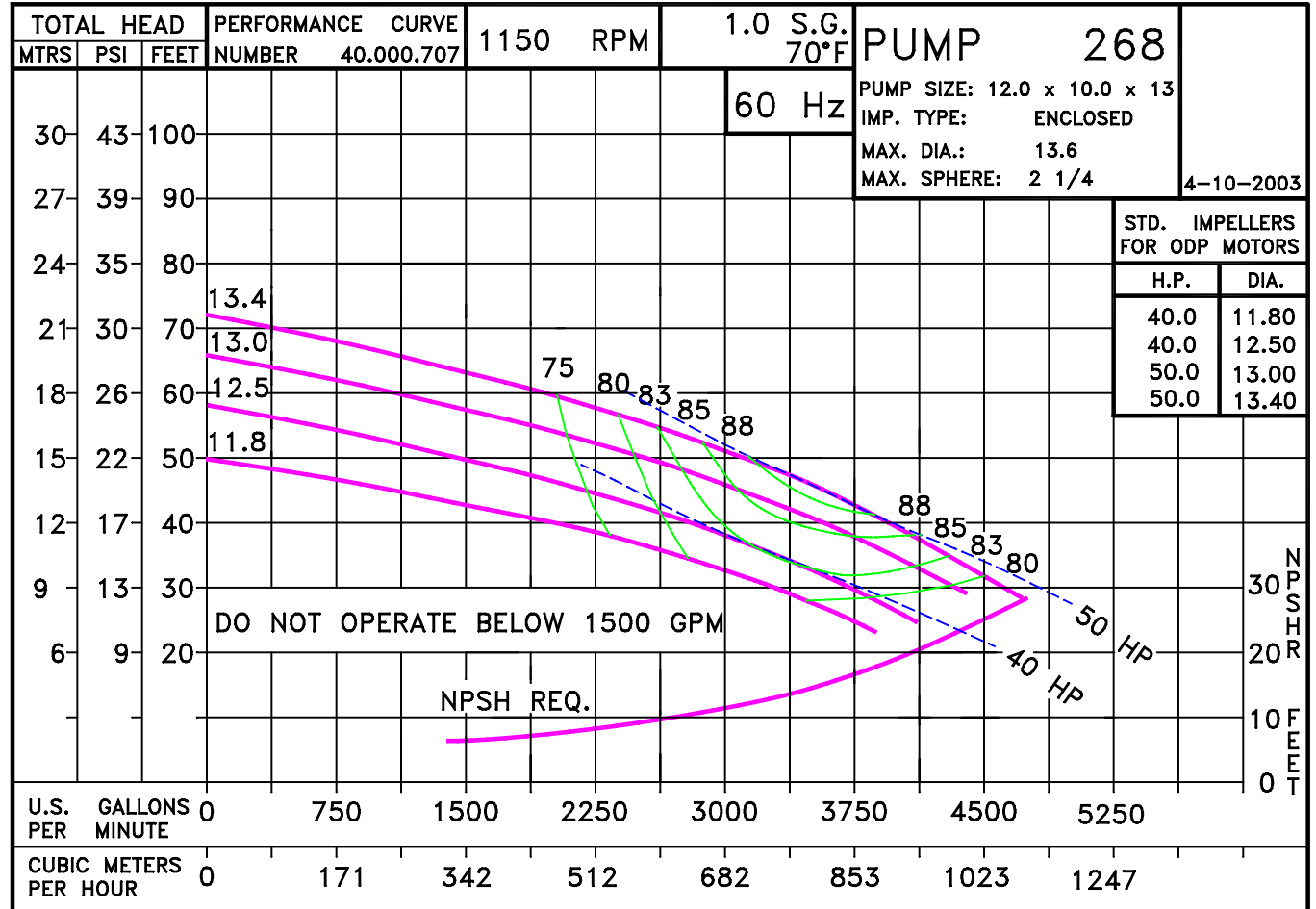
NEMA JPZ FRAME 3 PHASE 1150 RPM

HP	Type	Frame	D	E	F	O	AB	BG	L	MH
40	ODP	JPZ364	9.00	7.00	5.63	17.63	15.88	11.50	11.32	.66
50	ODP	JPZ364	9.00	7.00	5.63	17.63	15.88	11.50	11.32	.66
40	TEFC	JPZ364	9.00	7.00	6.13	18.13	16.81	12.00	14.69	.66
50	TEFC	JPZ364	9.00	7.00	6.13	18.13	16.81	12.00	14.69	.66



ALL DIMENSIONS IN INCHES.

DRAWING REPRESENTS APPROXIMATE PUMP DIMENSIONS. AUTOCAD DRAWING TO SCALE AVAILABLE FROM FACTORY.



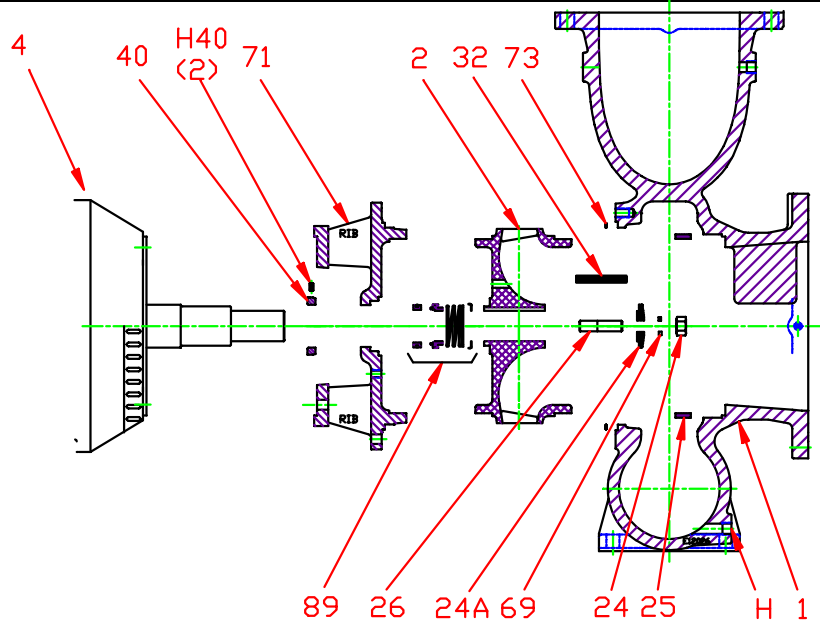
26850DP

D268JPZ365
2681150

268
JPZ

2681150JP
81.001.845 E12

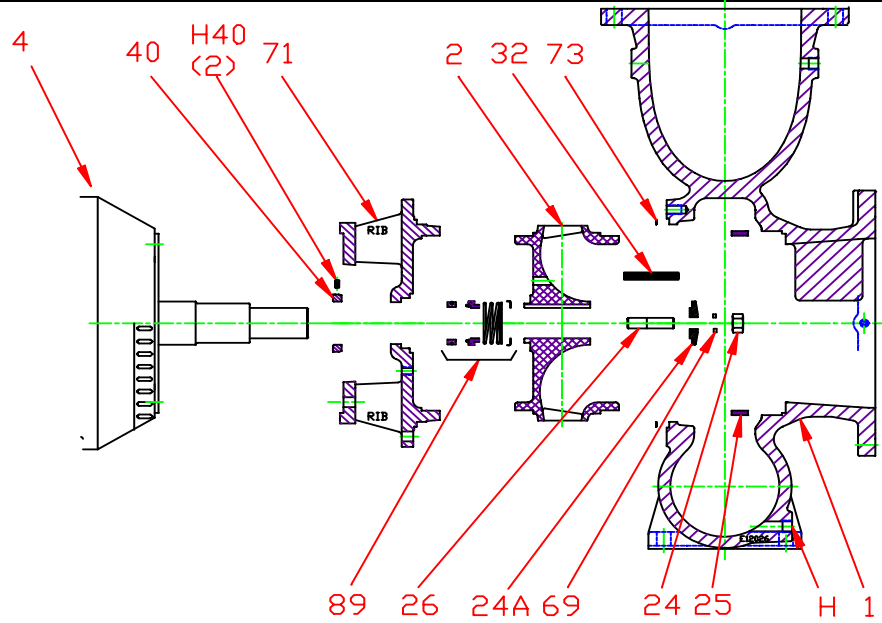
Pump 268 • Iron • JPZ Frame • 1150 RPM



KEY NO.	PART NAME	PUMP NO. 268T
1+	CASE, IRON, 12 x 10 FLG	137.001.686X
2	IMPELLER, IRON, 2-1/8" KEYED, ENCLOSED, SPECIFY DIAMETER:	
	13.4"	137.001.687A
	13.3"	137.001.687B
	13.0"	137.001.687C
	12.7"	137.001.687D
	12.5"	137.001.687E
	11.9"	137.001.687F
11.8"	137.001.687G	
4	MOTOR, JPZ360	See Chart
24*	NUT, TITANIUM	5773203-1.5
24A*	WASHER RETAINER	137.001.710
25	WEAR RING, CASE, BRONZE	137.001.689
26*	STUD, TITANIUM	5773203-1.4
32*	KEY, STAINLESS	137.001.962
40*†	FLINGER, BRONZE	137.001.871X
69*	LOCKWASHER, STAINLESS	137.001.711
71	ADAPTER, IRON, JPZ360/400	137.001.691
73*	GASKET, CASE, FIBER	137.001.690
89*	SEAL, 2¾", TYPE 21, BN-CARB/CM	137.001.692
H40*	SET SCREWS, STAINLESS (2 REQ'D)	105.000.311
--	° REPAIR KITS:	
	BN-CARB/CM SEAL	118.000.622
* DENOTES COMPONENTS INCLUDED IN REPAIR KIT.		
+ INCLUDES BRONZE WEAR RING.		
† INCLUDES H40 SET SCREWS.		

E268JPZ

Pump 268 • Iron • JPZ Frame • 1150 RPM



CONSTRUCTION OPTIONS		
KEY	PART NAME	STANDARD FITTED
1	Case	Iron
2	Impeller	Iron
24	Nut	Titanium
24A	Washer	Stainless
25	Wear Ring, Case	Bronze
26	Stud	Titanium
32	Key	Stainless
40	Flinger	Bronze
69	Lockwasher	Stainless
71	Adapter	Iron
73	Gasket, Case	Fiber
89	Mechanical Seal, Type 21 BN-CM	Standard
H	Plug	Brass
H40	Set Screw	Steel w/Nylok Insert

Note: Motor shaft is 316 stainless steel

E268JPZ