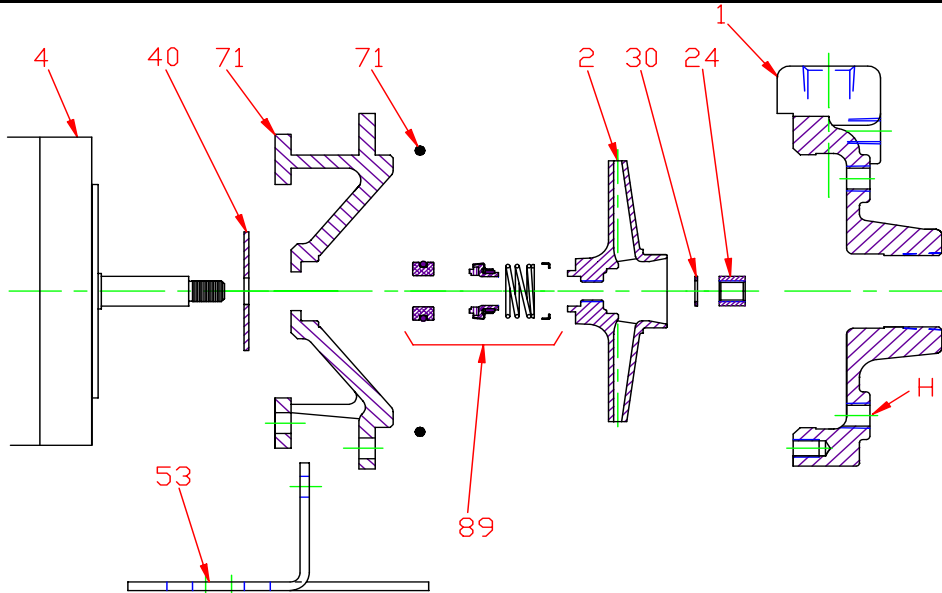


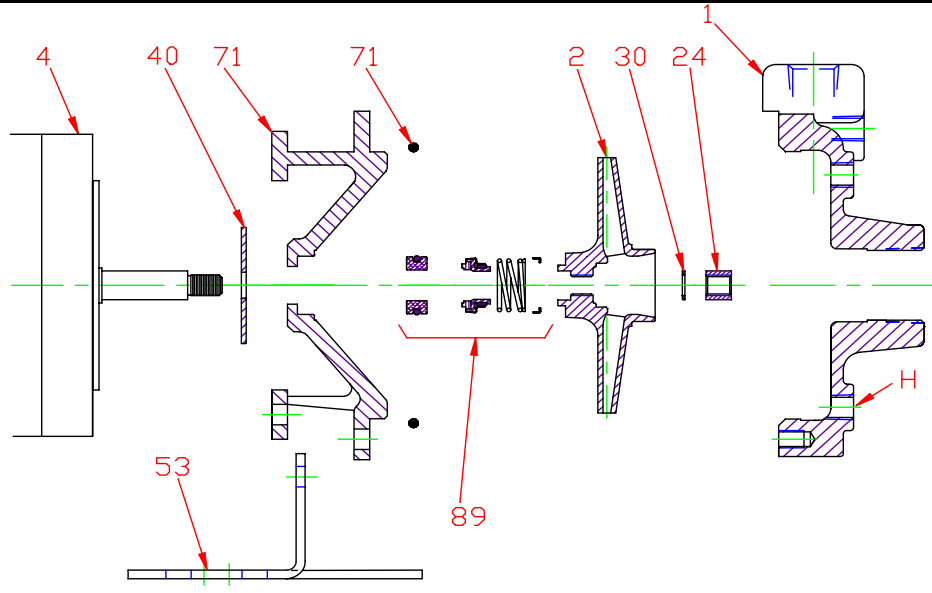
Pump 128 • Iron • J56 Frame • 3500 RPM



KEY NO.	PART NAME	PUMP NO. 128	
1	CASE, IRON, 1.25 x 1 NPT	137.002.673X	
2	IMPELLER, 7/16" THREADED, ENCLOSED, SPECIFY DIAMETER:		
	BRONZE	137.002.672	
4	MOTOR:		
	J56, ROUND BODY J56, 3.5" RIGID BASE	See Chart See Chart	
24*+	NUT, STAINLESS	105.000.465	
30*+	D WASHER, STAINLESS	104.000.168	
40*	FLINGER, NEOPRENE	104.000.171	
53	BASE, STEEL	119.000.231A	
71	ADAPTER, IRON	132.000.337X	
73*	GASKET, CASE, BUNA	116.000.146	
89*	5/8" SEALS:		
	NO RETAINER: (not shown)		
	TYPE 6, BN-CARB/CM	101.000.110	
	WITH RETAINER:		
	TYPE 21, VN-CARB/CM	101.000.103	
	TYPE 21, VN-CARB/SIL	101.000.120	
	TYPE 21, VN-SIL/SIL	101.000.239	
TYPE 21, EPDM-CARB/SIL	101.000.173		
TYPE 21, EPDM-CARB/CM	101.000.327		
TYPE 21, EPDM-SIL/SIL	101.000.236		
--	REPAIR KITS:	3 PHASE:	† 1 PHASE:
	BN-CARB/CM SEAL	118.000.340	118.000.340.1
	VN-CARB/CM SEAL	118.000.340A	118.000.340A.1
	VN-CARB/SIL SEAL	118.000.340B	118.000.340B.1
	VN-SIL/SIL SEAL	118.000.340J	118.000.340J.1
	EPDM-CARB/SIL SEAL	118.000.340C	118.000.340C.1
	EPDM-CARB/CM SEAL	118.000.340R	118.000.340R.1
	EPDM-SIL/SIL SEAL	118.000.340D	118.000.340D.1

* DENOTES COMPONENTS INCLUDED IN REPAIR KIT.
 + NOT REQUIRED ON 1/3 TO 1-1/2 HP 1 PHASE MOTORS.
 † USE 3 PHASE KIT ON 2-3 HP 1 PHASE MOTORS.

Pump 128 • Iron • J56 Frame • 3500 RPM



CONSTRUCTION OPTIONS		
KEY	PART NAME	STANDARD FITTED
1	Case	Iron
2	Impeller	Bronze
24	Impeller Locknut	Stainless
30	D-Washer	Stainless
40	Flinger	Neoprene
53	Base	Steel
71	Adapter	Iron
73	Gasket, Case	Buna
89	Mechanical Seal, Type 6 BN-CM	Standard
H	Plug, Drain	Brass

E128J56
H15

C1283500J56