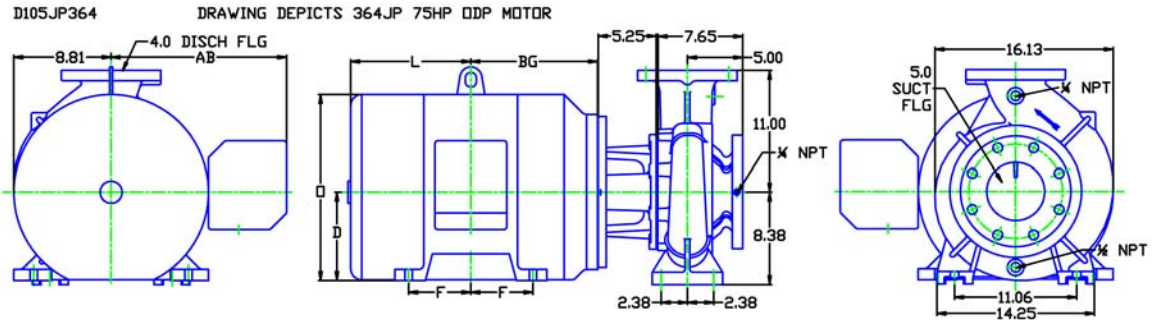


### MOTOR DIMENSIONS

#### NEMA PREMIUM EFFICIENT JP FRAME 3 PHASE 3500 RPM

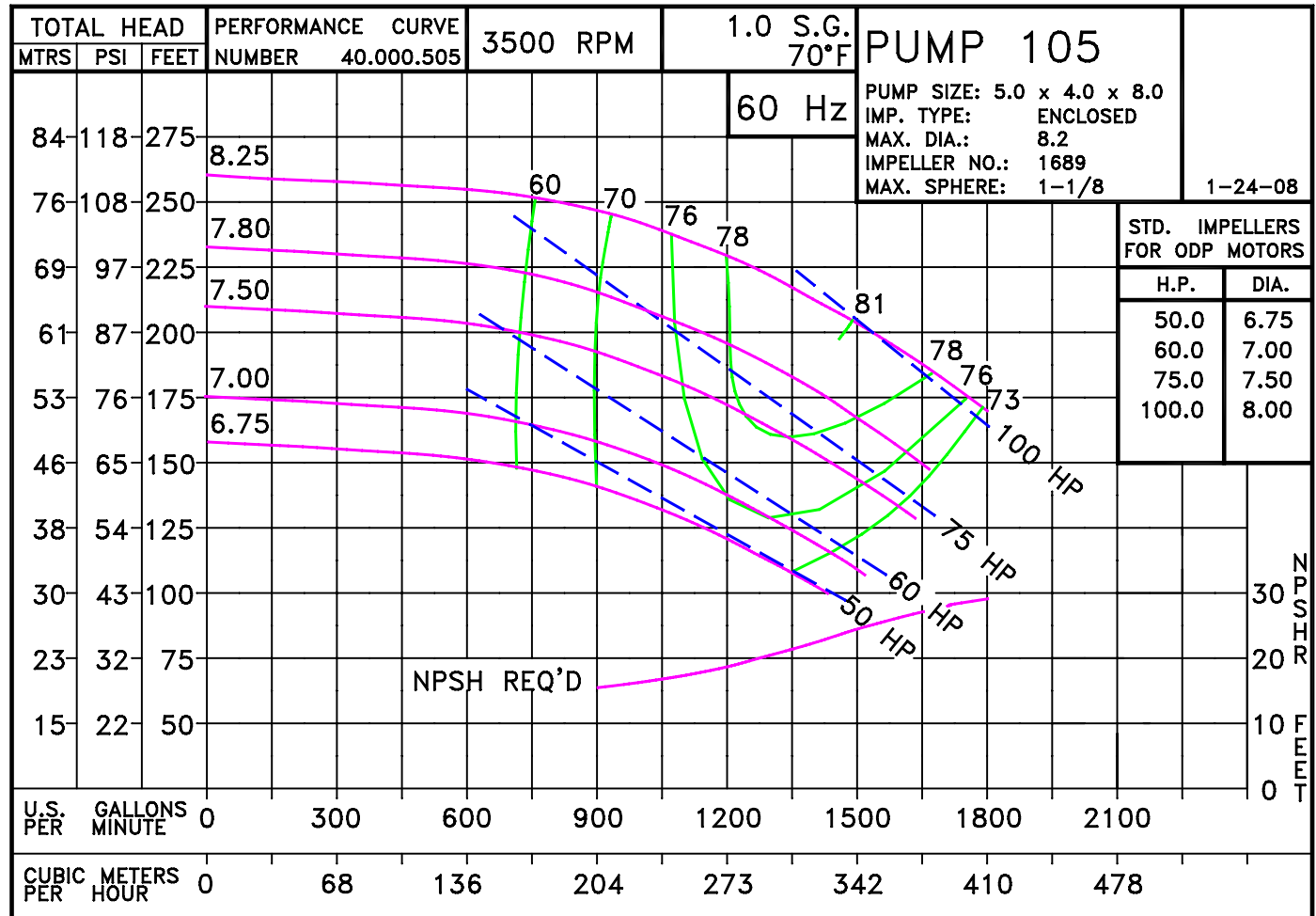
HP	Type	Frame	D	E	F	O	AB	BG	L	MH
50	ODP	JP324	8.00	6.25	5.25	15.59	13.20	10.53	10.90	0.66
60	ODP	JP326	8.00	6.25	6.00	14.63	12.21	11.29	11.15	0.66
75	ODP	TCZ364*	9.00	7.00	5.63	16.52	13.20	11.54	10.52	0.66
100	ODP	TCZ365*	9.00	7.00	6.12	16.59	13.20	12.04	12.02	0.66
50	TEFC	JP326	8.00	6.25	6.00	15.93	12.58	11.00	14.60	0.66
60	TEFC	JP326	8.00	6.25	6.00	15.93	12.58	11.00	14.60	0.66
75	TEFC	TCZ364*	9.00	7.00	5.63	18.38	15.00	11.54	13.87	0.66
100	TEFC	TCZ405*	10.00	8.00	6.88	21.1	19.36	13.5	17.7	0.81



ALL DIMENSIONS IN INCHES.

DRAWING REPRESENTS APPROXIMATE PUMP DIMENSIONS. ATOCAD DRAWING TO SCALE AVAILABLE FROM FACTORY

\*JP326 Shaft

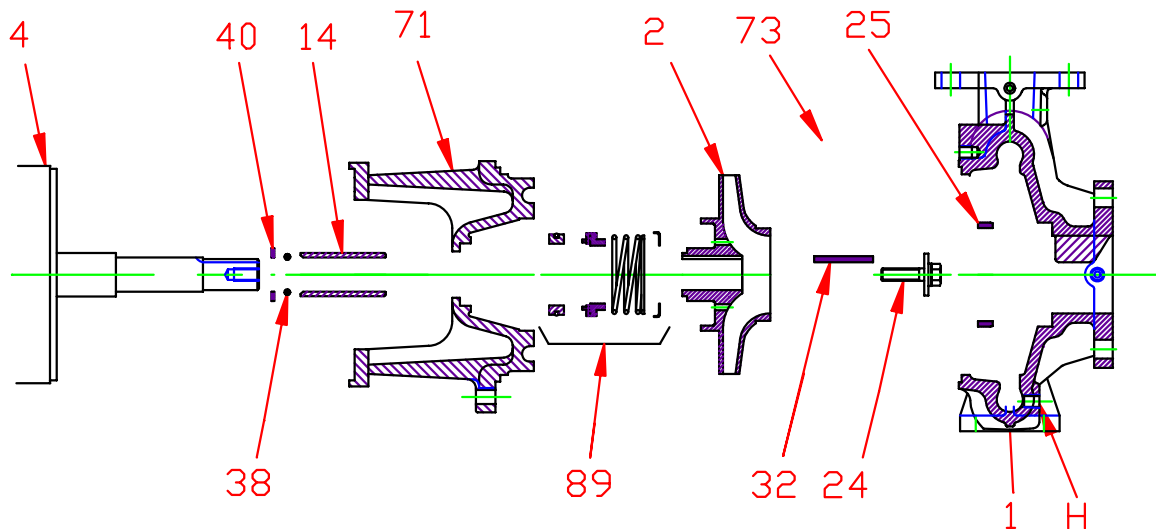


10515TE D105JP364  
1053500

# 105 JP

1053500JP  
81.001.242 L16

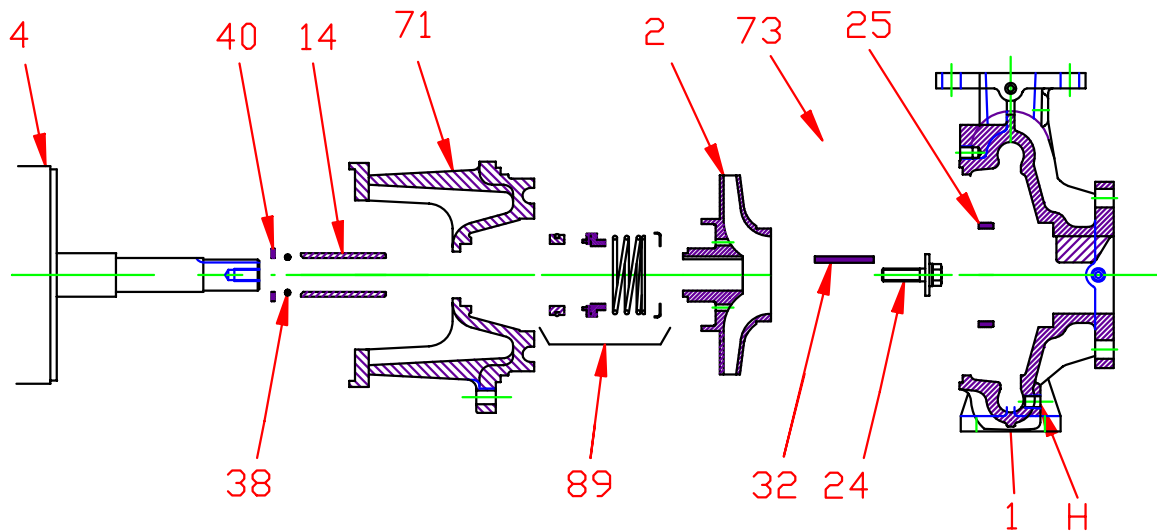
# Pump 105 • Iron • JP Frame • 3500 RPM



KEY NO.	PART NAME	PUMP NO. 105
1+	CASE, IRON, 5 x 4 FLG	130.000.311X
2	IMPELLER, 1¼" KEYED, ENCLOSED, SPECIFY DIAMETER: IRON	137.000.107
4	MOTOR, JP280/320 MOTOR, JP360	See Chart See Chart
14*	SHAFT SLEEVE, BRONZE SHAFT SLEEVE, STAINLESS	110.000.398 110.000.360
25	WEAR RING, BRONZE WEAR RING, STEEL	103.000.204 103.000.186
26*	IMPELLER RETAINER, STAINLESS	118.000.640
32*	KEY, STAINLESS	102.000.282
38*	O-RING, SHAFT, BUNA O-RING, SHAFT, VITON	116.000.218 116.000.218A
40*	FLINGER, STAINLESS	104.000.200
71	ADAPTER, IRON, JP280/320/360	137.000.553
73*	GASKET, CASE, FIBER	116.000.261
89*	1¼" SEALS:	
	BN-CARB/CM	101.000.196
	VN-CARB/CM	101.000.216
	VN-CARB/SIL	101.000.221
	VN-SIL/SIL	101.000.231
	EPDM-CARB/SIL EPDM-SIL/SIL	101.000.196B 137.001.555
--	° REPAIR KITS:	
	BN-CARB/CM SEAL	118.000.412
	VN-CARB/CM SEAL (S)	118.000.412A
	VN-CARB/SIL SEAL	118.000.412B
	VN-SIL/SIL SEAL (S)	118.000.412E
	EPDM-CARB/SIL SEAL EPDM-SIL/SIL SEAL	118.000.412C 118.000.412F

\* DENOTES COMPONENTS INCLUDED IN REPAIR KIT.  
 + INCLUDES BRONZE WEAR RING. FOR STEEL WEAR RING, REPLACE SUFFIX "X" WITH "X1".  
 ° THE REPAIR KIT INCLUDES THE BRONZE SHAFT SLEEVE EXCEPT THE (S) INDICATED, WHICH IS STAINLESS.

**Pump 105 • Iron • JP Frame • 3500 RPM**



**CONSTRUCTION OPTIONS**

KEY	PART NAME	STANDARD FITTED	ALL IRON
1	Case	Iron	Iron
2	Impeller	Iron	Iron
14	Shaft Sleeve	Bronze	Stainless
25	Wear Ring, Case	Bronze	Steel
26	Impeller Retainer	Stainless	Stainless
32	Key	Stainless	Stainless
38	Shaft O-Ring	BUNA	BUNA
40	Flinger	Stainless	Stainless
71	Adapter	Iron	Iron
73	Gasket, Case	Fiber	Fiber
89	Mechanical Seal, Type 21 BN-CM	Standard	Standard
H	Plug, Drain	Brass	Plated Steel

E103JP

C15

C1053500JP