

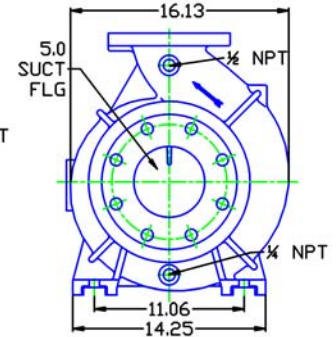
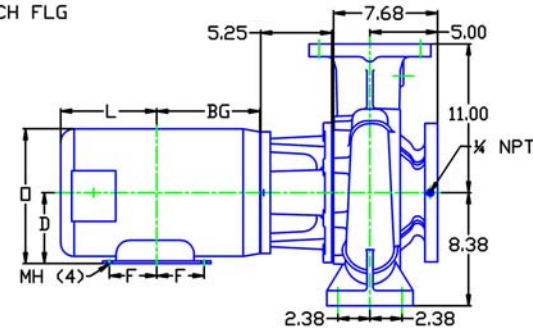
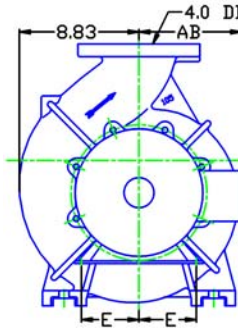
MOTOR DIMENSIONS

NEMA JP FRAME 3 PHASE 1750 RPM

HP	Type	Frame	D	E	F	O	AB	BG	L	MH
7.5	ODP	JP213	5.25	4.25	2.75	10.03	7.97	7.22	5.31	.41
10	ODP	JP215	5.25	4.25	3.50	10.03	7.46	7.78	5.93	.41
15	ODP	JP254	6.25	5.00	4.13	11.03	8.17	8.91	6.69	.53
7.5	TEFC	JP213	5.25	4.25	2.75	10.41	8.67	6.00	8.41	.41
10	TEFC	JP215	5.25	4.25	3.50	10.37	8.19	6.77	9.16	.41
15	TEFC	JP254	6.25	5.00	4.13	12.76	10.48	8.13	10.84	.53

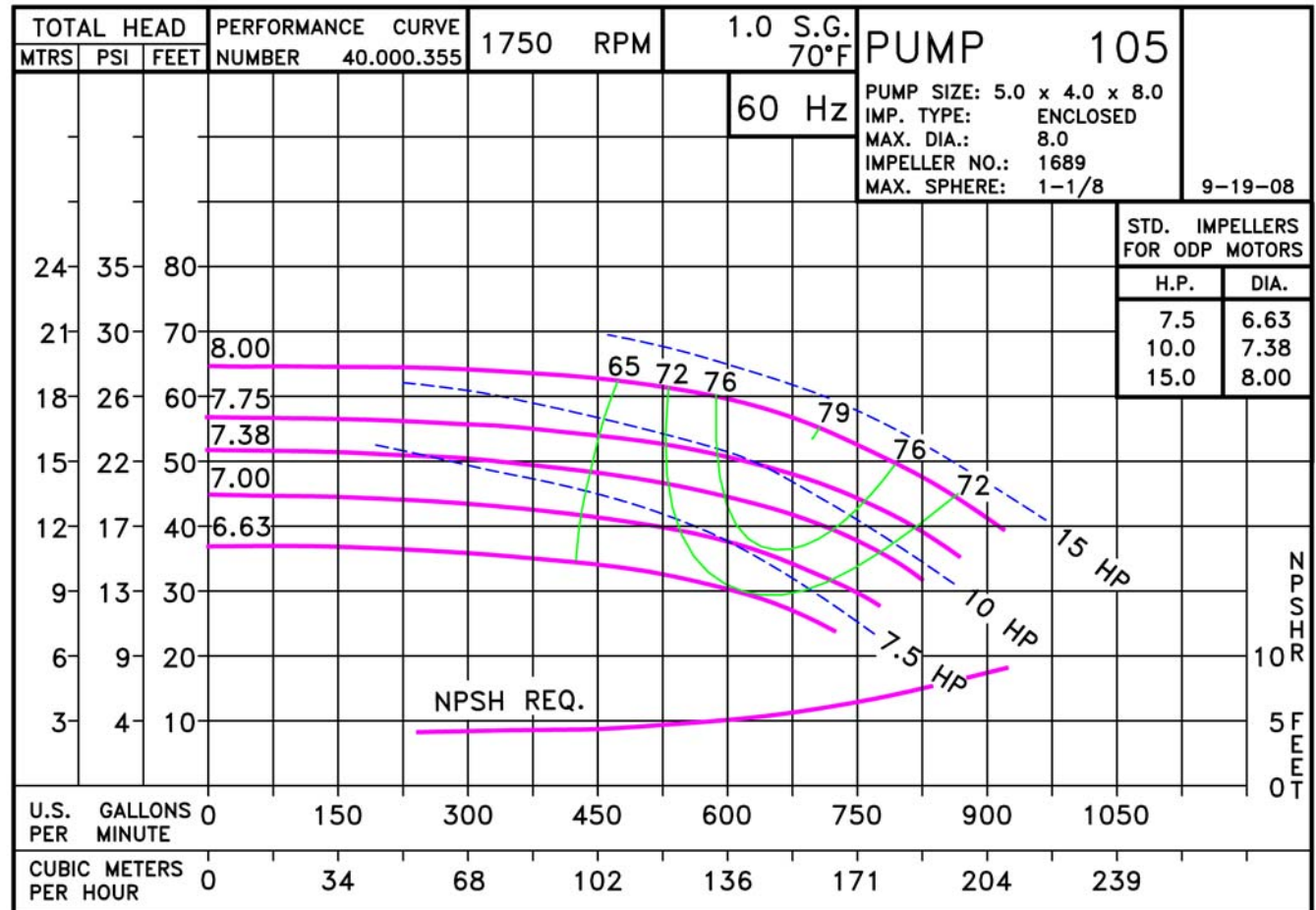
D105JP215

DRAWING DEPICTS 215JP 10HP ODP MOTOR

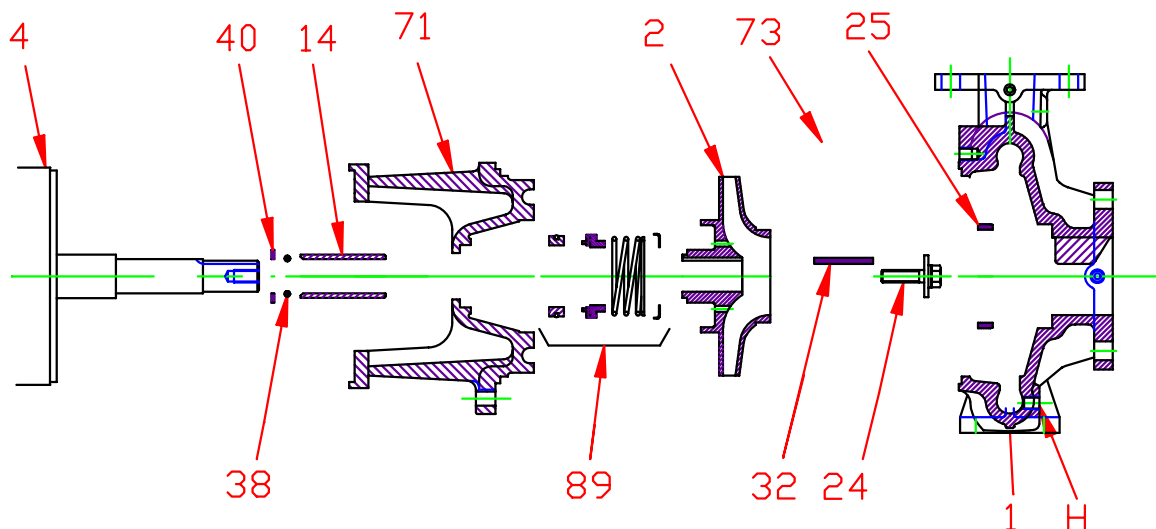


ALL DIMENSIONS IN INCHES.

DRAWING REPRESENTS APPROXIMATE PUMP DIMENSIONS. AUTOCAD DRAWING TO SCALE AVAILABLE FROM FACTORY.



Pump 105 • Iron • JP Frame • 1750 RPM



KEY NO.	PART NAME	PUMP NO. 105
1+	CASE, IRON, 5 x 4 FLG	130.000.311X
2	IMPELLER, 1¼" KEYED, ENCLOSED, SPECIFY DIAMETER: IRON	137.000.107
4	MOTOR, JP210/250	See Chart
14*	SHAFT SLEEVE, BRONZE SHAFT SLEEVE, STAINLESS	110.000.398 110.000.360
25	WEAR RING, BRONZE WEAR RING, STEEL	103.000.204 103.000.186
26*	IMPELLER RETAINER, STAINLESS	118.000.640
32*	KEY, STAINLESS	102.000.282
38*	O-RING, SHAFT, BUNA O-RING, SHAFT, VITON	116.000.218 116.000.218A
40*	FLINGER, STAINLESS	104.000.200
71	ADAPTER, IRON, JP210/250	132.000.374X
73*	GASKET, CASE, FIBER	116.000.261
89*	1¼" SEALS:	
	BN-CARB/CM	101.000.196
	VN-CARB/CM	101.000.216
	VN-CARB/SIL	101.000.221
	VN-SIL/SIL	101.000.231
	EPDM-CARB/SIL EPDM-SIL/SIL	101.000.196B 137.001.555
--	° REPAIR KITS:	
	BN-CARB/CM SEAL	118.000.412
	VN-CARB/CM SEAL (S)	118.000.412A
	VN-CARB/SIL SEAL	118.000.412B
	VN-SIL/SIL SEAL (S)	118.000.412E
	EPDM-CARB/SIL SEAL EPDM-SIL/SIL SEAL	118.000.412C 118.000.412F

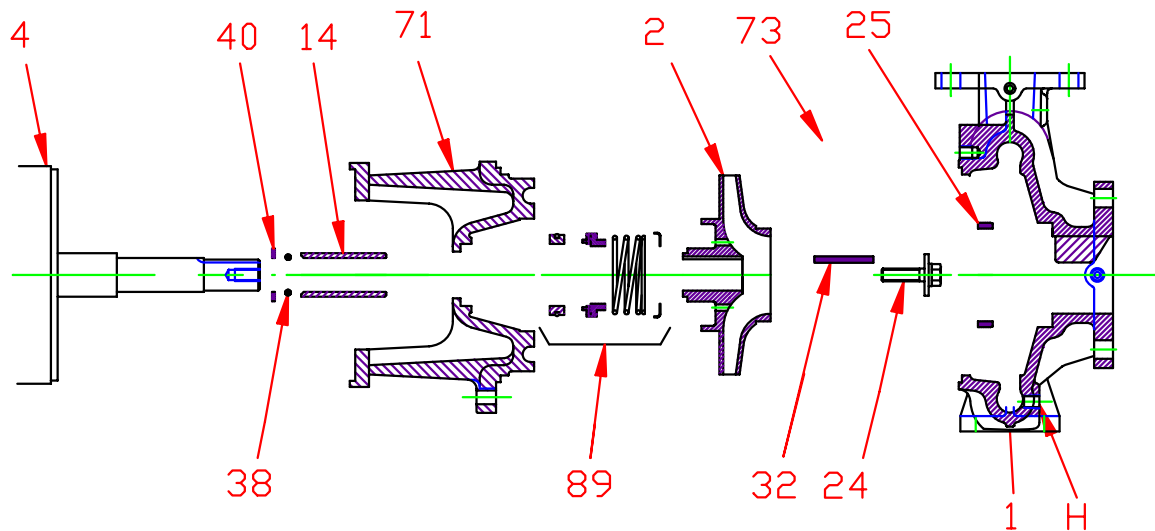
* DENOTES COMPONENTS INCLUDED IN REPAIR KIT.
+ INCLUDES BRONZE WEAR RING. FOR STEEL WEAR RING, REPLACE SUFFIX "X" WITH "X1".
° THE REPAIR KIT INCLUDES THE BRONZE SHAFT SLEEVE EXCEPT THE (S) INDICATED, WHICH IS STAINLESS.

E103JP

M15

P1051750JP

Pump 105 • Iron • JP Frame • 1750 RPM



CONSTRUCTION OPTIONS

KEY	PART NAME	STANDARD FITTED	ALL IRON
1	Case	Iron	Iron
2	Impeller	Iron	Iron
14	Shaft Sleeve	Bronze	Stainless
25	Wear Ring, Case	Bronze	Steel
26	Impeller Retainer	Stainless	Stainless
32	Key	Stainless	Stainless
38	Shaft O-Ring	BUNA	BUNA
40	Flinger	Stainless	Stainless
71	Adapter	Iron	Iron
73	Gasket, Case	Fiber	Fiber
89	Mechanical Seal, Type 21 BN-CM	Standard	Standard
H	Plug, Drain	Brass	Plated Steel

E103JP

H12

C1051750JP